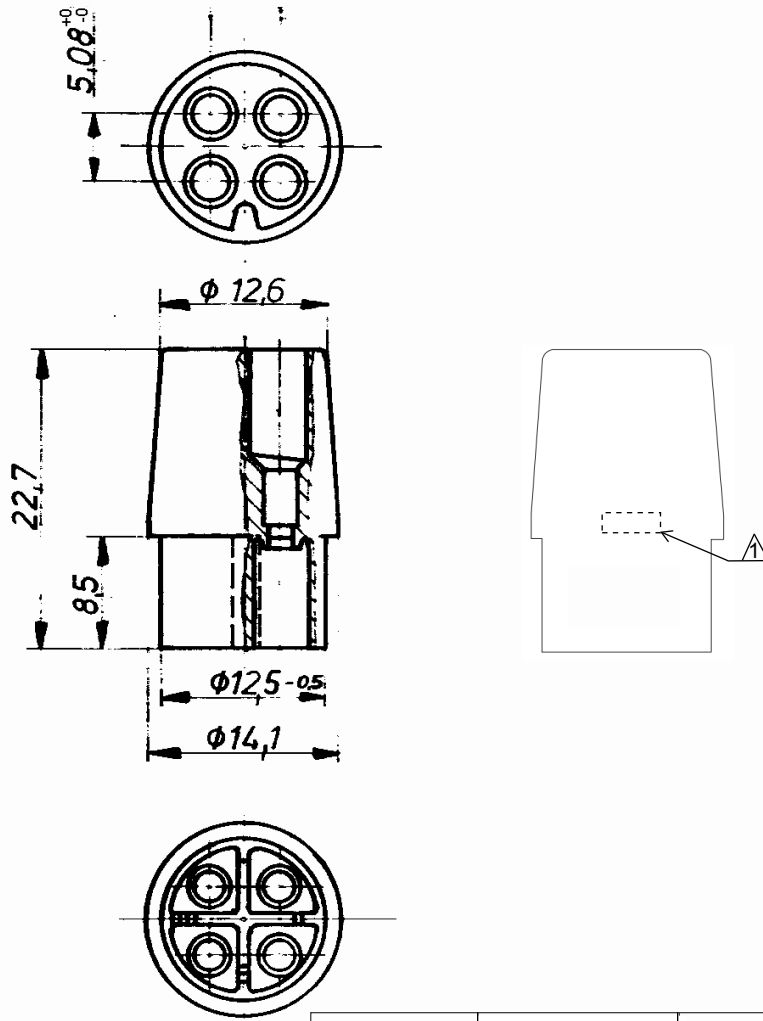


LOC	DIST	REVISIONS						
P	LTR	DESCRIPTION			DATE	DWN	APVD	
AL	2	C5	REVISED PER ECR-15-014424			18NOV2015	NK	EW

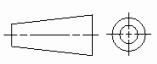


1 FROST TE LOGO ON THIS SURFACE
PER P/N: 1621426-4

925076-7	PA66 GWT 750°C-V0	NATURAL
925076-6	PA6 GWT750°C-V2	NATURAL
925076-4	PA66	RED
925076-3	PA66	BLACK
OBSOLETE 925076-2	PA66 UL94	WHITE
OBSOLETE 925076-1	PA66 UL94	NATURAL
925076	PA66 UL94 V-2	NATURAL
PN	MATERIAL	COLOUR

THIS DRAWING IS UNPUBLISHED.
 RELEASED FOR PUBLICATION 20
 © COPYRIGHT 20 BY TYCO ELECTRONICS CORPORATION. ALL RIGHTS RESERVED.

DIMENSIONS: mm		DWN J. SALO 10AUG2009	MATERIAL SEE TABLE		FINISH -
TOLERANCES UNLESS OTHERWISE SPECIFIED:		CHK R. SOLE 10AUG2009			
0 PLC ±-		APVD G. TURCO 10AUG2009			
1 PLC ±0,4		PRODUCT SPEC -	NAME 4 WAY CIRCULAR MATE-N-LOK SOCKET HOUSING		
2 PLC ±0,4		APPLICATION SPEC -	SIZE A4	CAGE CODE 00779	DRAWING NO C-925076
3 PLC ±-		WEIGHT -	RESTRICTED TO -		
4 PLC ±-			SCALE 2:1 SHEET 1 OF 1 REV C5		
ANGLES ±1°30'			CUSTOMER DRAWING		



Mouser Electronics

Authorized Distributor

Click to View Pricing, Inventory, Delivery & Lifecycle Information:

[TE Connectivity:](#)

[925076](#)