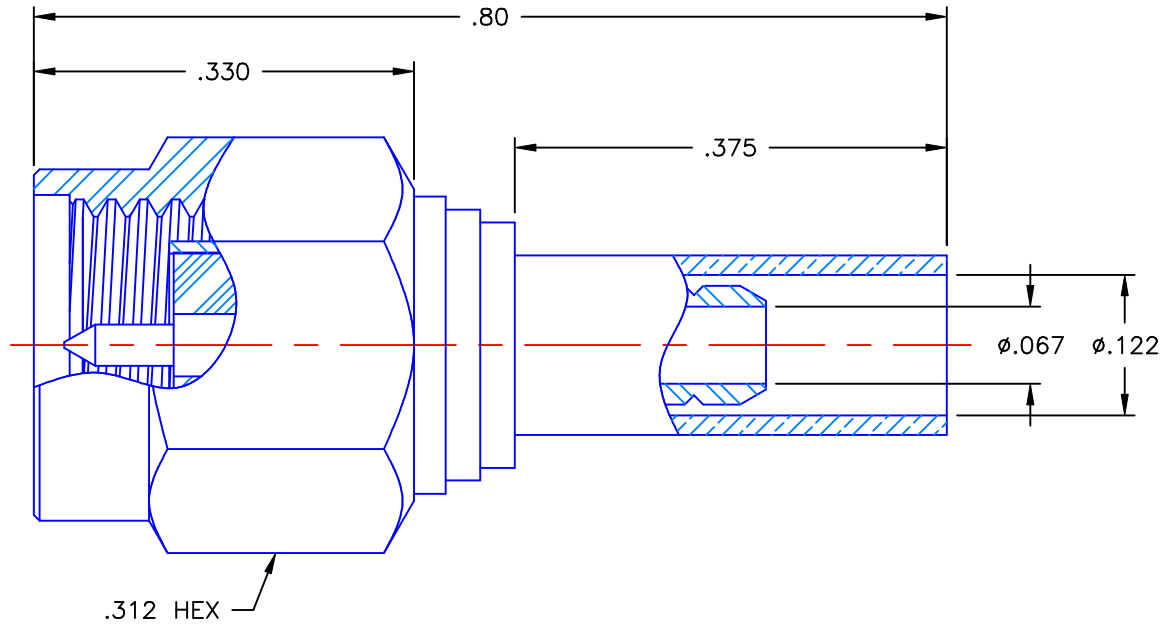


| REVISIONS | | | |
|-----------|-----------------|----------|----------|
| REV | DESCRIPTION | DATE | APPROVED |
| A | INITIAL RELEASE | 08/05/10 | A.D.M. |



NOTES:


MATERIALS:

1. BODY & COUPLING NUT = STAINLESS STEEL PER ASTM A582, ALLOY 303, CONDITION "A".
2. INSULATOR = VIRGIN WHITE TEFLON PER ASTM D1710, GRADE 1, TYPE I, CLASS "B".
3. CONTACT & RETAINING RING = BERYLLIUM COPPER PER ASTM B196, ALLOY C17300, TEMPER TD04.
4. CRIMP SLEEVE = SEAMLESS LOWLEAD BRASS TUBE, ALLOY 330, SOFT ANNEAL TEMPER, .025/.060 GRAIN SIZE OR SEAMLESS COPPER TUBE PER ASTM B75, TYPE C12000, TEMPER: LIGHT ANNEAL O50 EXCEPT YIELD STRENGTH.
5. GASKET = SILICONE RUBBER PER ZZ-R-765, CLASS 2B, GRADE 65-75.
6. SHRINK SLEEVE = THERMOFIT SCL (NOT SHOWN).

FINISHES:

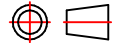
1. BODY & COUPLING NUT = PASSIVATE PER QQ-P-35, TYPE VI.
2. CONTACT = GOLD PLATE PER MIL-G-45204, TYPE II, CLASS 1, GRADE C, OVER .00010 TO .00020 STRESS FREE SULFAMATE NICKEL PER QQ-N-290.
3. CRIMP SLEEVE = NICKEL PLATE PER QQ-N-290, CLASS 1, GRADE G, EXCEPT .0001 TO .0002 THICK OVER .00005 TO .0001 THICK COPPER PER MIL-C-14550.

| | | | |
|---|--------|----------|----------|
| UNLESS OTHERWISE SPECIFIED DIMENSIONS ARE IN INCHES TOLERANCES ON | DWN: | DATE | |
| | A.D.M. | 08/05/10 | |
| | CHKD: | DATE | |
| DECIMAL | ANGLE | D.N. | 08/05/10 |
| | | APVD: | DATE |
| | | J.M. | 08/05/10 |

Property of Radiall
 This document cannot be reproduced or communicated to a third party without prior written permission of RADIALL.

SMA STRAIGHT PLUG
 CRIMP TYPE
 FOR RG-316 & SIMILAR CABLES

| | |
|--------------------------------------|-----------------------|
| REFERENCE: | MATERIALS & FINISHES: |
| ORIGINATOR: A.D.M. DATE: 08/05/10 | SEE NOTES |

| | | | |
|-----------|--|---------------------------|--------------|
| SIZE A | FSCM NO. 19505 | DWG. NO. 9001-9023-003 | REV A |
| SCALE 6:1 | THIRD ANGLE PROJECTION  | | SHEET 1 OF 1 |

9001-9023-003

Mouser Electronics

Authorized Distributor

Click to View Pricing, Inventory, Delivery & Lifecycle Information:

Radial:

[9001-9023-003](#)