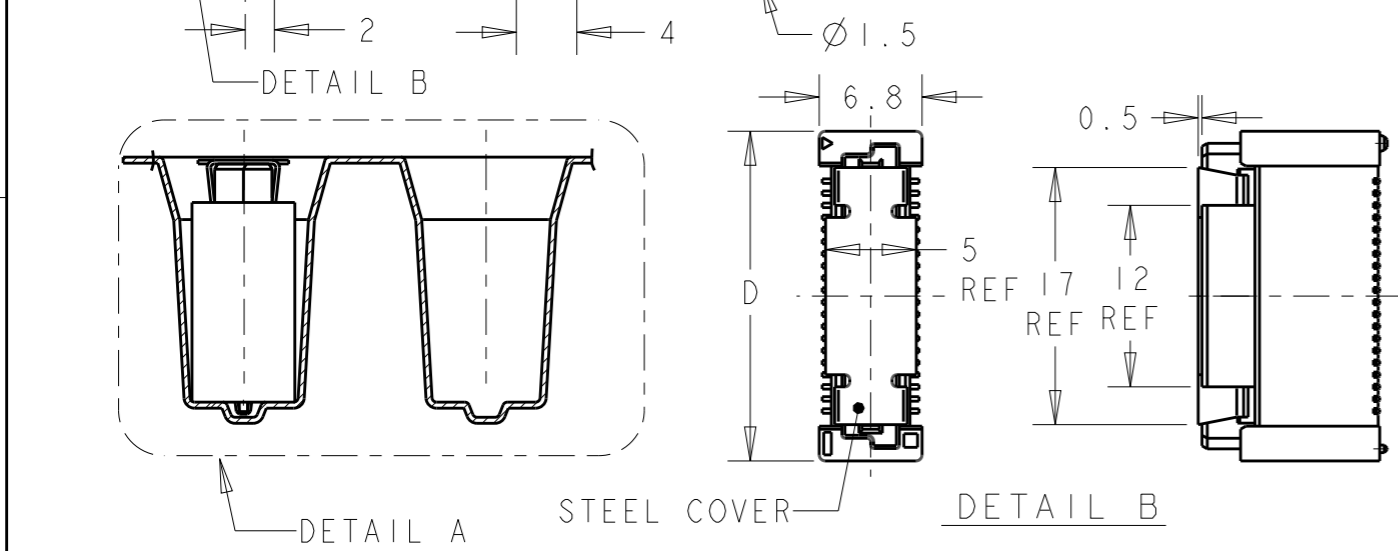
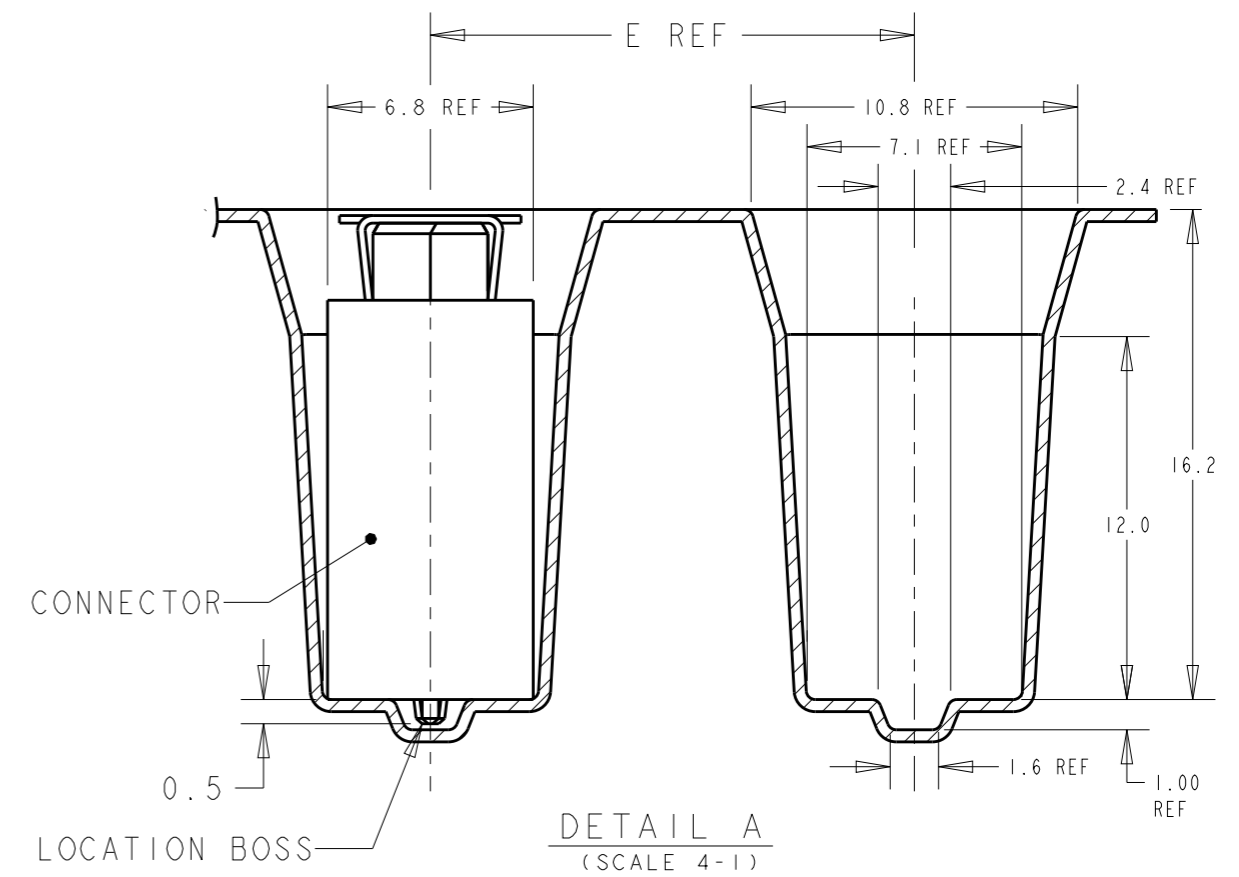
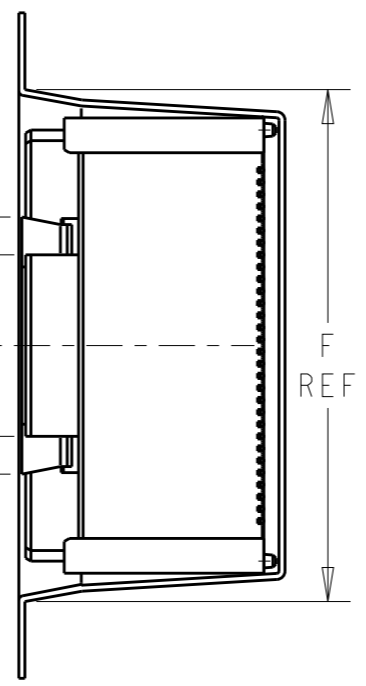
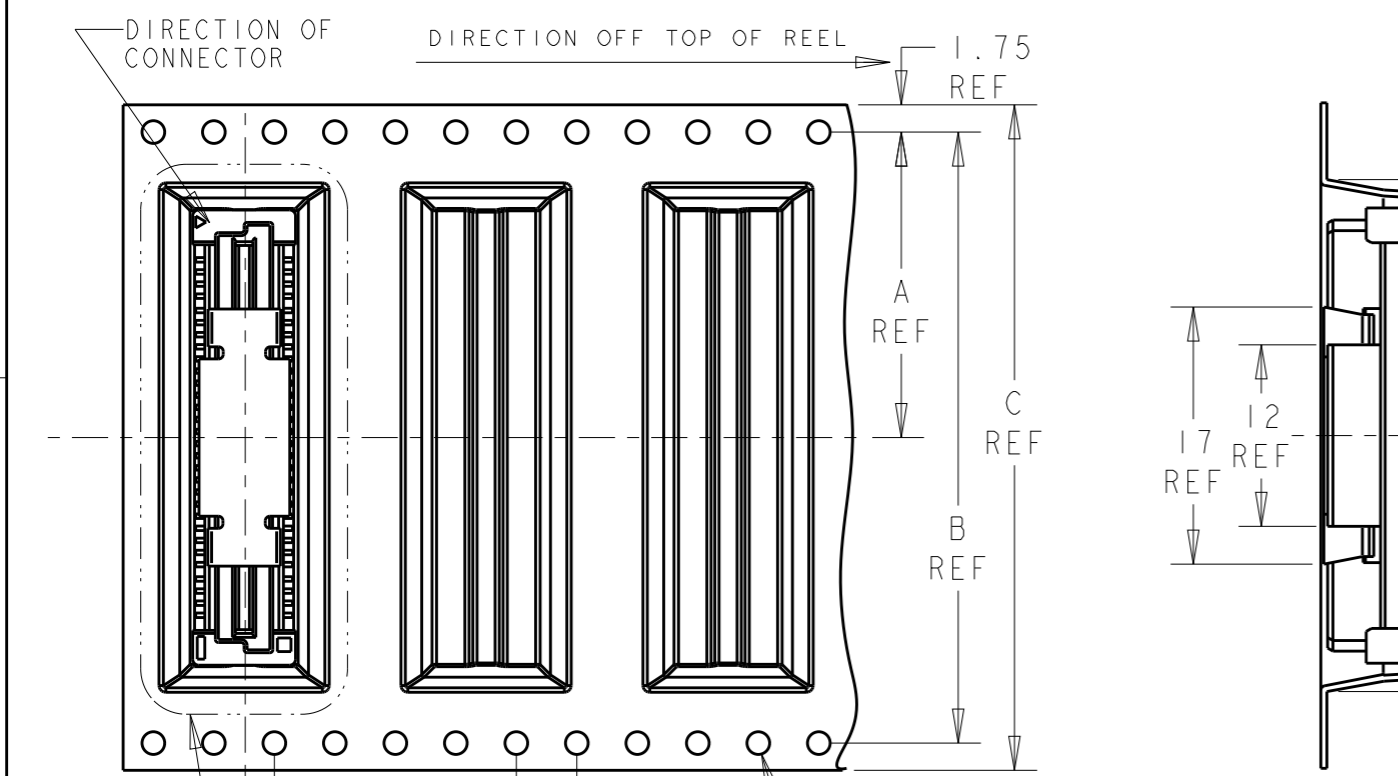


THIS DRAWING IS UNPUBLISHED. RELEASED FOR PUBLICATION 20
 © COPYRIGHT 20 BY - ALL RIGHTS RESERVED.

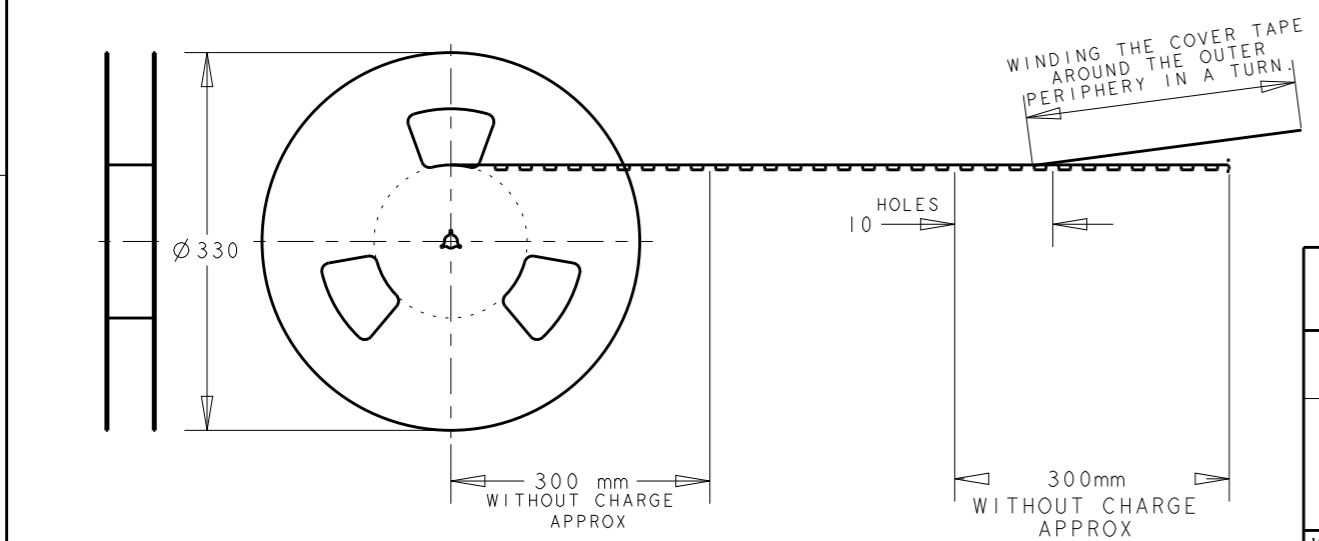
LOC		DIST		REVISIONS		
P	LTR	DESCRIPTION	DATE	DWN	APVD	
	A3	REVISED PER ECO-17-018044	01NOV2017	R.L	H.L	



NOTES:

- MATERIALS:
 HOUSING: L.C.P (HIGH TEMP THERMO PLASTIC) UL 94V-0, NATURAL.
 CONTACT: COPPER ALLOY.
- FINISH:
 ENGAGEMENT AREA: 0.0002 MIN GOLD
 SOLDERING AREA: 0.002 MIN MATTE TIN
 UNDERCOAT: 0.0013 MIN NICKEL ALL OVER
- FINISH:
 ENGAGEMENT AREA: 0.00076 MIN GOLD
 SOLDERING AREA: 0.002 MIN MATTE TIN
 UNDERCOAT: 0.0013 MIN NICKEL ALL OVER
- POSITION SERIES:
 SEE P/N TABLE ON SHEET 3.
- CONNECTOR MATED STACKED HEIGHT IS COMBINATION OF PLUG HEIGHT "Y" AND REC HEIGHT "X", LESS 5 mm.
 STACKED HEIGHT = Y + X - 5
- THIS DRAWING 1735481 DESCRIBES CONNECTORS P/N X-1735480-X WITH STEEL COVER IN EMBOSS TAPE PACKAGING.

CONNECTOR DIMENSIONS (ON SHEET 2) AND RECOMMENDED P.C. BOARD LAYOUT (ON SHEET 3) ARE REFERENCED FROM DRAWING 1735480.



THIS DRAWING IS A CONTROLLED DOCUMENT.		DWN RITA LIANG 01NOV17	TE Connectivity	
DIMENSIONS: mm		CHK SHOAL ALEX 23NOV17		
TOLERANCES UNLESS OTHERWISE SPECIFIED:		APVD HOPE LU 23NOV17	NAME RECEPTACLE 17mm HEIGHT FH 0.8mm B-T-B CONNECTOR WITH STEEL COVER, ON EMBOSS TAPE	
0 PLC ±0.30 1 PLC ±0.25 2 PLC ±0.25 3 PLC ±0.20 4 PLC ±0.20 ANGLES ±3°		PRODUCT SPEC 108-5390	SIZE A3	
MATERIAL		APPLICATION SPEC 114-5254	CAGE CODE 00779	DRAWING NO 1735482
FINISH SEE P/N TABLE		WEIGHT -	RESTRICTED TO -	
		CUSTOMER DRAWING	SCALE 2:1	SHEET 1 OF 3
			REV A3	

4

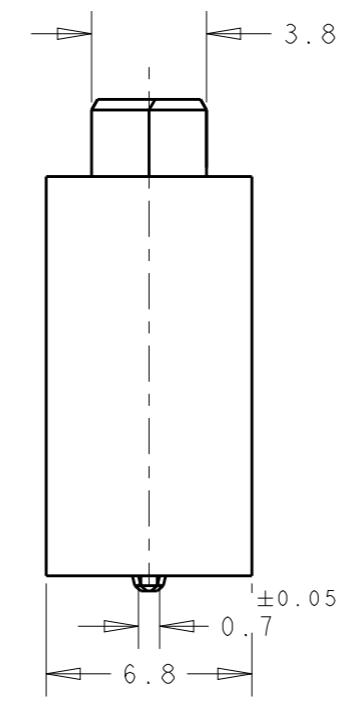
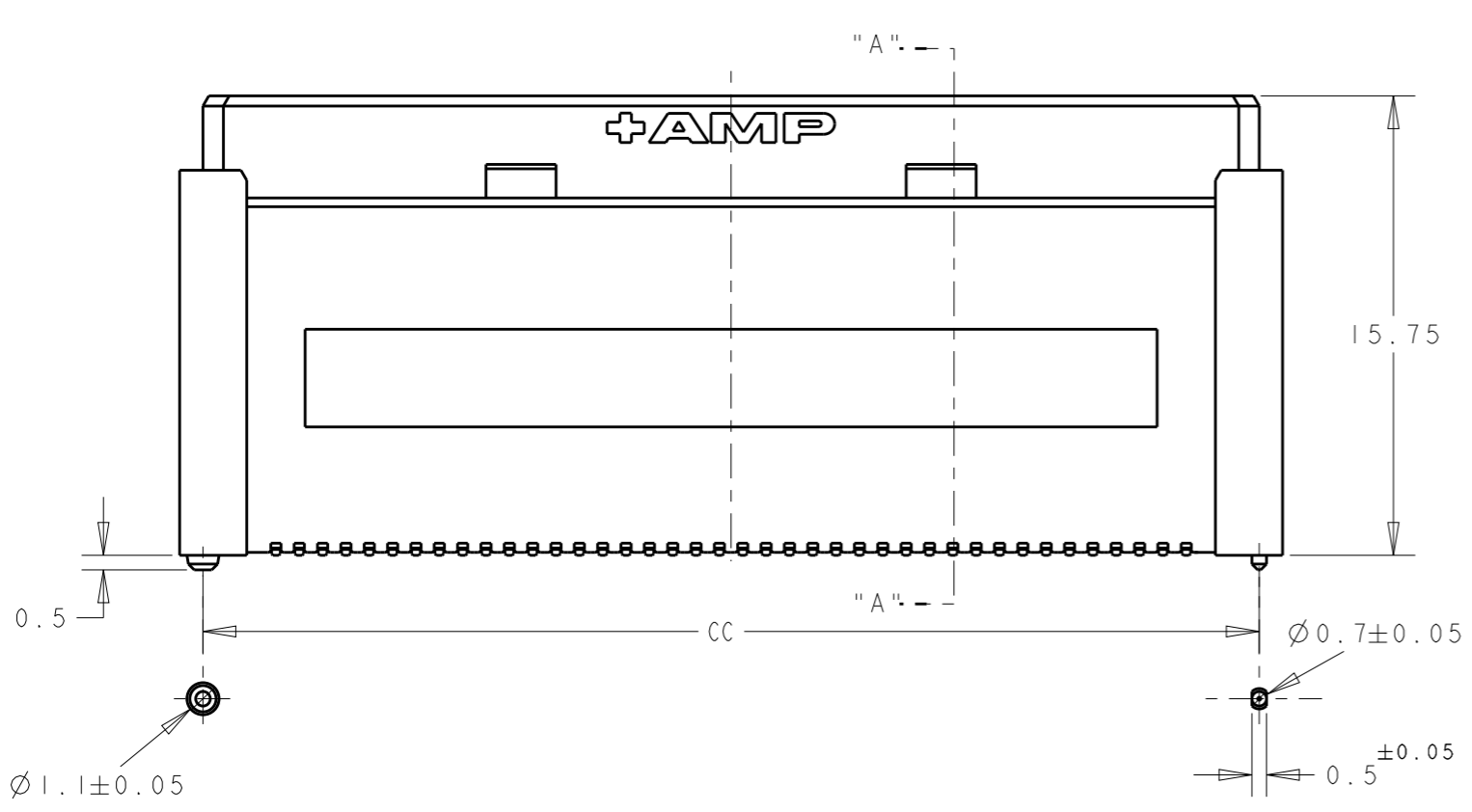
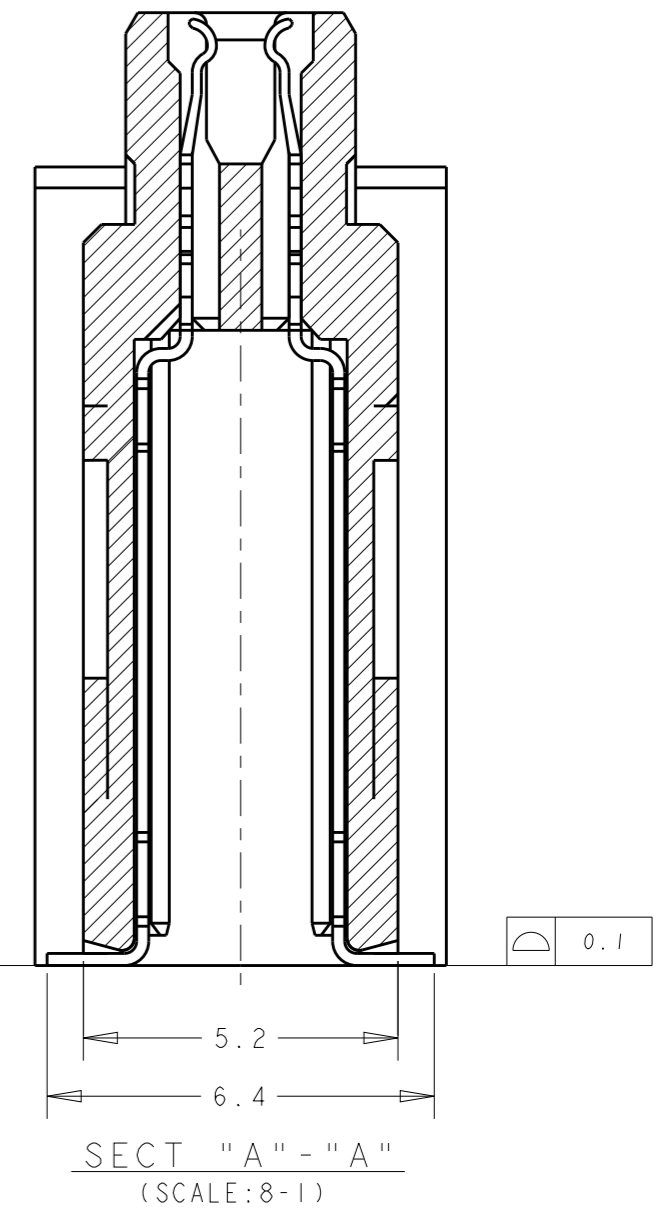
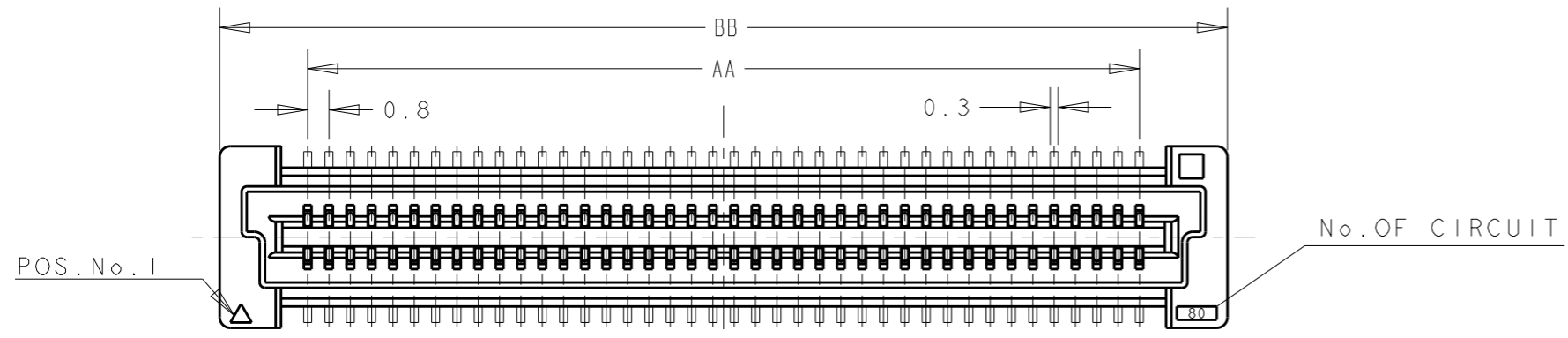
3

2


1

THIS DRAWING IS UNPUBLISHED. RELEASED FOR PUBLICATION 20
 © COPYRIGHT 20 BY - ALL RIGHTS RESERVED.

LOC	DIST	REVISIONS			
P	LTR	DESCRIPTION	DATE	DWN	APVD
DY	-	SEE SHEET 1	-	-	-



CONNECTOR DIMENSIONS REFERENCED FROM DRAWING NO. 1735480.

THIS DRAWING IS A CONTROLLED DOCUMENT.		DWN RITA LIANG 01NOV17	 TE Connectivity	
DIMENSIONS: mm		CHK SHOAL ALEX 23NOV17		
TOLERANCES UNLESS OTHERWISE SPECIFIED:		APVD HOPE LU 23NOV17	NAME RECEPTACLE 17mm HEIGHT FH 0.8mm B-T-B CONNECTOR WITH STEEL COVER, ON EMBOSS TAPE	
0 PLC ± 1 PLC ±0.30 2 PLC ±0.25 3 PLC ±0.20 4 PLC ± ANGLES ±3°		PRODUCT SPEC 108-5390	SIZE A3	
MATERIAL		APPLICATION SPEC 114-5254	CAGE CODE 00779	DRAWING NO 1735482
FINISH SEE P/N TABLE		WEIGHT -	RESTRICTED TO -	
		CUSTOMER DRAWING	SCALE 2:1	SHEET 2 OF 3
			REV A3	

THIS DRAWING IS UNPUBLISHED.

RELEASED FOR PUBLICATION

20

© COPYRIGHT 20 BY -

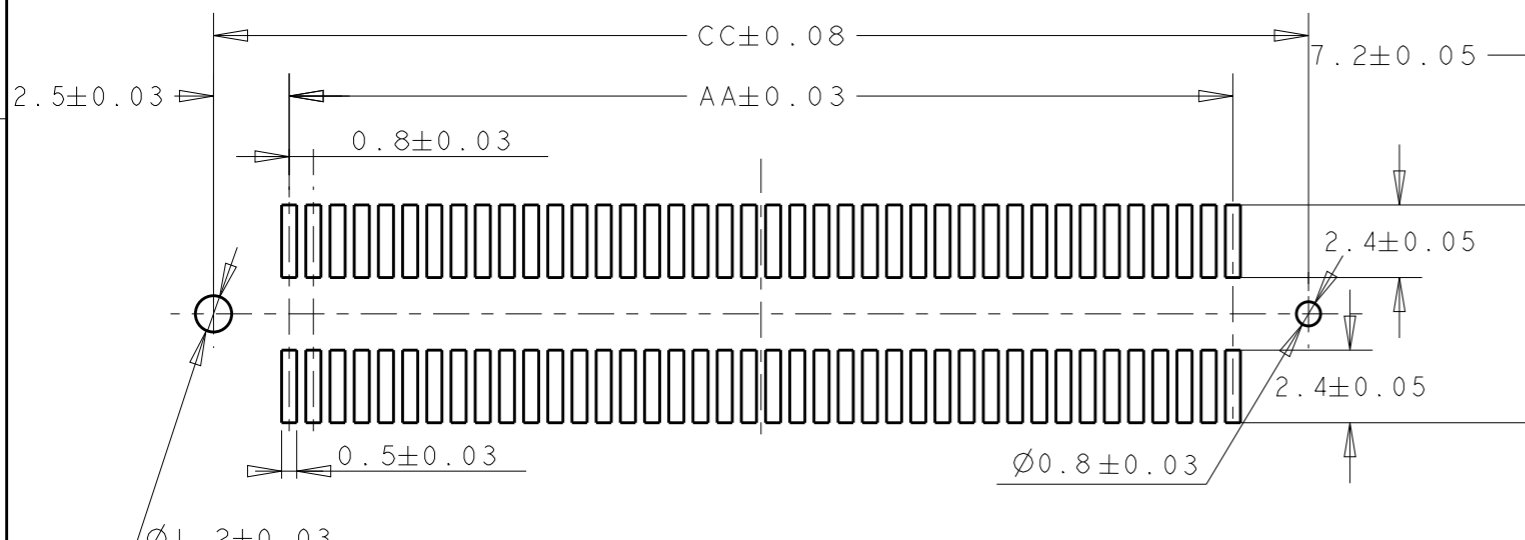
ALL RIGHTS RESERVED.

LOC
DY

DIST
-

REVISIONS

P	LTR	DESCRIPTION	DATE	DWN	APVD
-	-	SEE SHEET 1	-	-	-



RECOMMENDED P.C. BOARD LAYOUT
(REFERENCED FROM DRAWING NO. 1735480.)

NOTES:

- A3** FINISH: GOLD FLASH
- ENGAGEMENT AREA: 0.002 MIN MATTE TIN
- SOLDERING AREA: 0.0013 MIN NICKEL
- UNDERCOAT: ALL OVER

A3

CONTACT FINISH	QTY	CC	BB	AA	F	E	D	C	B	A	POS	SALEABLE PART NO.
Gold flash - Sn 7	100	84.20	SAME AS DIM D	79.20	94.0	20	85.8	120	116.4	58.2	200	4-1735482-0
	100	76.20		71.20	86.0	20	77.8	104	100.4	50.2	180	3-1735482-9
	100	68.20		63.20	73.8	20	69.8	88	84.4	42.2	160	3-1735482-8
	100	64.20		59.20	69.8	20	65.8	88	84.4	42.2	150	3-1735482-7
	100	60.20		55.20	65.8	20	61.8	88	84.4	42.2	140	3-1735482-6
	100	52.20		47.20	57.8	20	53.8	72	68.4	34.2	120	3-1735482-5
	100	44.20		39.20	49.8	20	45.8	72	68.4	34.2	100	3-1735482-4
	100	36.20		31.20	41.8	20	37.8	56	52.4	26.2	80	3-1735482-3
	100	28.20		23.20	33.8	20	29.8	44	40.4	20.2	60	3-1735482-2
	100	20.20		15.20	25.8	20	21.8	44	40.4	20.2	40	3-1735482-1
30 u" Au - Sn 3	100	84.20	SAME AS DIM D	79.20	94.0	20	85.8	120	116.4	58.2	200	3-1735482-0
	100	76.20		71.20	86.0	20	77.8	104	100.4	50.2	180	2-1735482-9
	100	68.20		63.20	73.8	20	69.8	88	84.4	42.2	160	2-1735482-8
	100	64.20		59.20	69.8	20	65.8	88	84.4	42.2	150	2-1735482-7
	100	60.20		55.20	65.8	20	61.8	88	84.4	42.2	140	2-1735482-6
	100	52.20		47.20	57.8	20	53.8	72	68.4	34.2	120	2-1735482-5
	100	44.20		39.20	49.8	20	45.8	72	68.4	34.2	100	2-1735482-4
	100	36.20		31.20	41.8	20	37.8	56	52.4	26.2	80	2-1735482-3
	100	28.20		23.20	33.8	20	29.8	44	40.4	20.2	60	2-1735482-2
	100	20.20		15.20	25.8	20	21.8	44	40.4	20.2	40	2-1735482-1
08 u" Au - Sn 2	100	84.20	SAME AS DIM D	79.20	94.0	20	85.8	120	116.4	58.2	200	1-1735482-0
	100	76.20		71.20	86.0	20	77.8	104	100.4	50.2	180	1735482-9
	100	68.20		63.20	73.8	20	69.8	88	84.4	42.2	160	1735482-8
	100	64.20		59.20	69.8	20	65.8	88	84.4	42.2	150	1735482-7
	100	60.20		55.20	65.8	20	61.8	88	84.4	42.2	140	1735482-6
	100	52.20		47.20	57.8	20	53.8	72	68.4	34.2	120	1735482-5
	100	44.20		39.20	49.8	20	45.8	72	68.4	34.2	100	1735482-4
	100	36.20		31.20	41.8	20	37.8	56	52.4	26.2	80	1735482-3
	100	28.20		23.20	33.8	20	29.8	44	40.4	20.2	60	1735482-2
	100	20.20		15.20	25.8	20	21.8	44	40.4	20.2	40	1735482-1

THIS DRAWING IS A CONTROLLED DOCUMENT.		DWN RITA LIANG 01NOV17	STE TE Connectivity			
DIMENSIONS: mm		CHK SHOAL ALEX 06NOV17				
TOLERANCES UNLESS OTHERWISE SPECIFIED: 0 PLC ±0.30 1 PLC ±0.25 2 PLC ±0.20 3 PLC ±0.20 4 PLC ±0.20 ANGLES ±3°		APVD HOPE LU 06NOV17	NAME RECEPTACLE 17mm HEIGHT FH 0.8mm B-T-B CONNECTOR WITH STEEL COVER, ON EMBOSS TAPE			
MATERIAL 1		PRODUCT SPEC 108-5390	SIZE A3	CAGE CODE 00779	DRAWING NO 1735482	RESTRICTED TO -
FINISH SEE P/N TABLE		APPLICATION SPEC 114-5254	SCALE 2:1		SHEET 3 OF 3	REV A3
		WEIGHT -	CUSTOMER DRAWING			

Mouser Electronics

Authorized Distributor

Click to View Pricing, Inventory, Delivery & Lifecycle Information:

[TE Connectivity:](#)

[1735482-1](#)