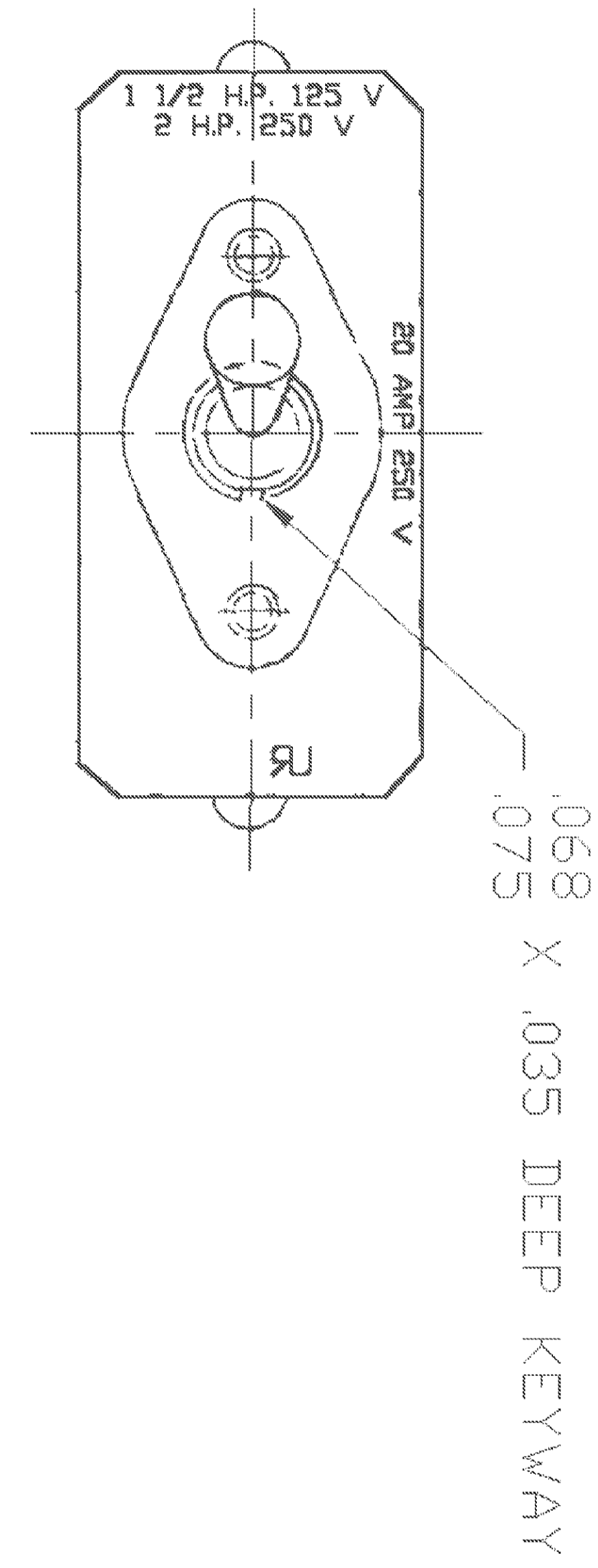
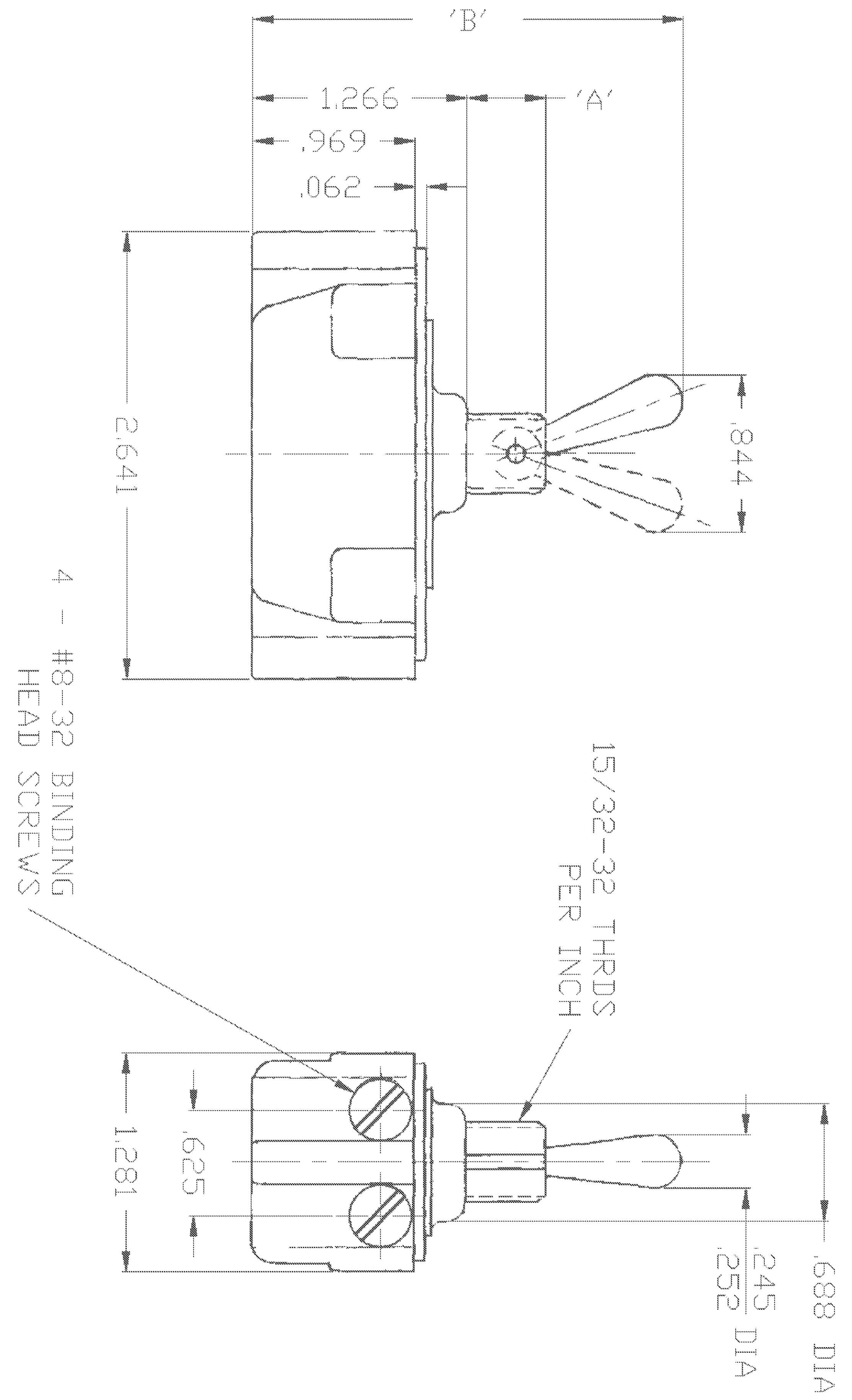


TYCO NO. 1520230-6  
(ARAB NO. 8909K500)

90-15569

THIS DRAWING IS A CONTROLLED DOCUMENT.		DWG: WESTEMEIER 01AUG00	STE TE Connectivity	
DIMENSIONS: INCHES		CHK: R. WALLEN 02AUG00	NAME: R. WALLEN 02AUG00	
TOLERANCES UNLESS OTHERWISE SPECIFIED:		PRODUCT SPEC	20A 250V PANEL MOUNT ROCKER SWITCH	
0 PLC ± -	1 PLC ± -	APPLICATION SPEC	TYCO NO. 1520230-6	
2 PLC ± -	3 PLC ± .016	WEIGHT	(ARAB NO. 8909K500)	
4 PLC ± -	ANGLES ± -	FINISH	SIZE: A1	CAGE CODE: 00779
MATERIAL: -		FINISH: -	DRAWING NO: 1520230	
		CUSTOMER DRAWING	SCALE: 1:1	SHEET: 1 OF 2



2-1520230-2	7402K4 T-PAK	.469	2.547
2-1520230-1	7402K3 T-PAK	.344	2.422
2-1520230-3	8909K27	.469	2.547
1520230-9	8910K202	.469	2.547
1520230-8	8910K165	.469	2.547
1520230-5	8909K4	.469	2.547
1520230-4	7403K2	.469	2.547
1520230-3	7403K1	.344	2.422
1520230-2	7402K4	.469	2.547
1520230-1	7402K3	.344	2.422
TYCO NO.	ARAB NO.	DIM 'A'	DIM 'B'
			90-347

THIS DRAWING IS A CONTROLLED DOCUMENT.

DWG: F.R. LEONARD 19SEP40  
 CHK: J. RACH 040CT40  
 APD: G.J. 050CT40

NAME: 20A 250VAC TOGGLE SWITCH

PRODUCT SPEC: -  
 APPLICATION SPEC: -

SIZE: A1  
 CAGE CODE: 00779  
 DRAWING NO: 1520230

RESTRICTED TO: -

SCALE: N.T.S. SHEET 2 OF 2

CUSTOMER DRAWING

# Mouser Electronics

Authorized Distributor

Click to View Pricing, Inventory, Delivery & Lifecycle Information:

[TE Connectivity:](#)

[1520230-2](#)