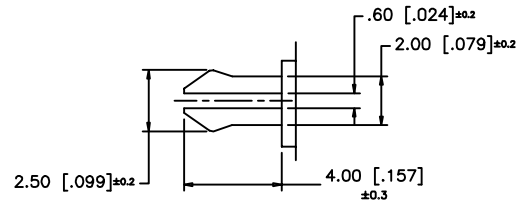
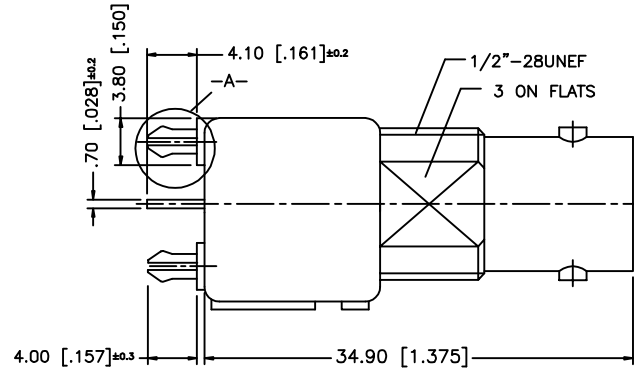
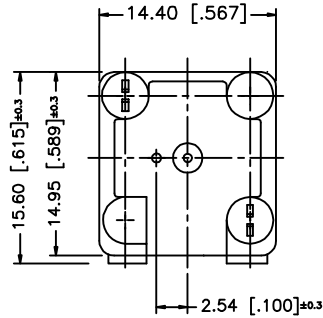
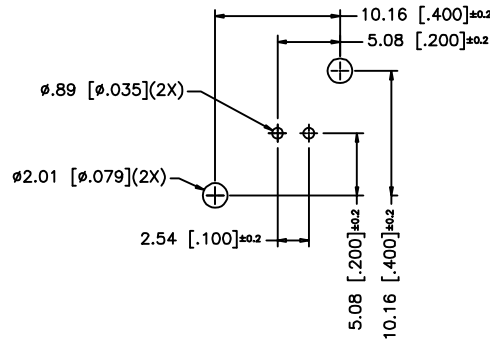


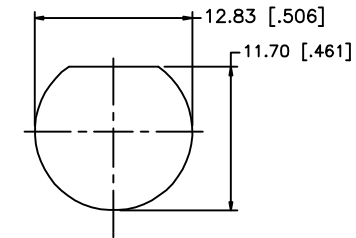
REV.	DATE	ECR NO	DESCRIPTION
NC	05/07/98	--	INITIAL RELEASE
A	07/28/06	--	REVISE PCB MOUNTING LEGS, UPDATE DRAWING FORMAT
B	02/17/10	2012	HARDWARES REMOVED



DETAIL -A-
(2X SCALE)



PCB MOUNTING HOLES



RECOMMENDED
MOUNTING HOLE

DESCRIPTION	MATERIAL	FINISH	UNLESS OTHERWISE SPECIFIED DIMENSIONS ARE IN MILLIMETERS	APPROVALS	DATE	Amphenol Connex					
1 BODY	DIE CAST	NICKEL	DIMENSIONS IN [] ARE IN INCHES FOR CUSTOMER REFERENCE ONLY	DRAWN	02/17/10	TITLE BNC STRAIGHT PC MOUNT RECEPT. JACK 50 ohm					
2 INSULATOR	P.P.	NATURAL		CHECKED							
3 CONTACT PIN	PHOS. BRONZE	GOLD	UNLESS OTHERWISE SPECIFIED TOLERANCES FOR MILLIMETERS ARE: 0.5-6 = ± 0.2 6-30 = ± 0.4 30-120 = ± 0.6 120-315 = ± 1 315-1000 = ± 1.6 1000-2000 = ± 2.4	ISSUED		SIZE	FSCM NO.	DWG. NO.	REV.		
4						A	99001	112488.DWG	B		
5											
6											
7											
8			DO NOT SCALE DRAWING			SCALE	NA	PART NO.	112488	SHEET	1 OF 1

Mouser Electronics

Authorized Distributor

Click to View Pricing, Inventory, Delivery & Lifecycle Information:

[Amphenol:](#)

[112488](#)