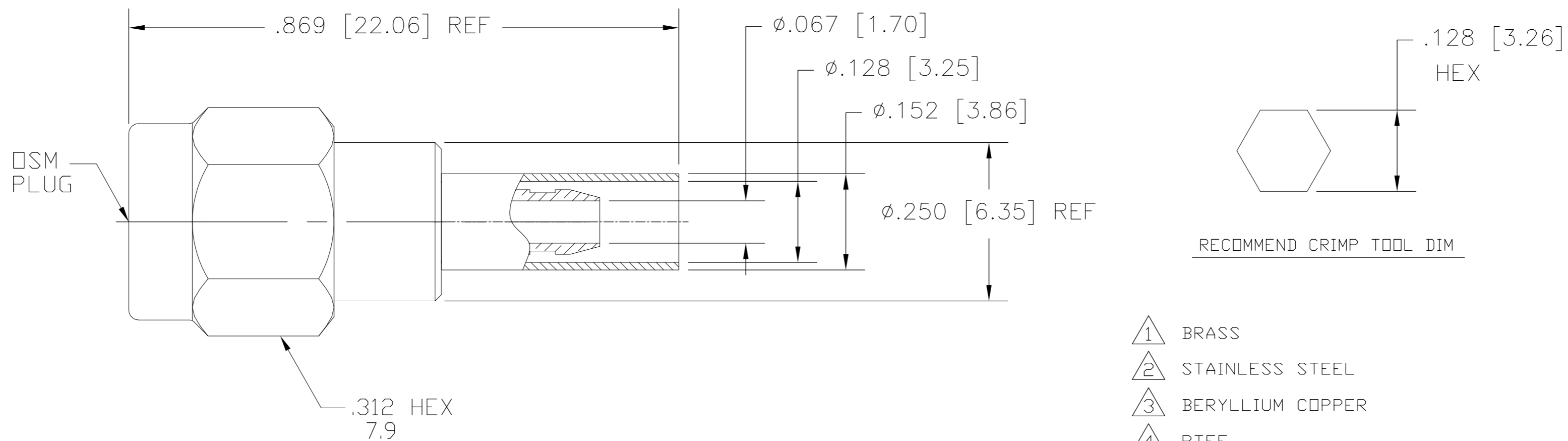


THIS DRAWING IS UNPUBLISHED. RELEASED FOR PUBLICATION
 © COPYRIGHT BY TYCO ELECTRONICS CORPORATION. ALL RIGHTS RESERVED.

LOC	DIST	REVISIONS					
AJ	00	P	LTR	DESCRIPTION	DATE	DWN	APVD
		B		REV PER ECO-09-013650	-	ANS	BOB



- ① BRASS
- ② STAINLESS STEEL
- ③ BERYLLIUM COPPER
- ④ PTFE
- ⑤ SILICONE RUBBER
- ⑥ GOLD PLATE
- ⑦ NICKEL PLATE
- ⑧ PASSIVATE
- ⑨ WHITE BRONZE

ELECTRICAL	MECHANICAL	ENVIRONMENTAL
Nominal Impedance (Ω ms) 50	Interface Dimensions MIL-STD-348A, Fig. 310.1	TEMPERATURE RATING -40° TO +95° DURABILITY:500 CYCLES
Frequency Range (GHz) DC to 1	Recommended Mating Torque 7-10 In-Lbs	
Volt Rating (VRMS MAX) @ Sea Level 250	Mating Characteristics:	.XXX = in XX.X = mm
VSWR 1.18 + .02f(GHz)	Insertion (MAX Lbs) N/A	
Insertion Loss (dB MAX) .07 \sqrt{f} GHz	Withdrawal (MIN Oz) N/A	
Dielectric Withstanding Voltage (VRMS MIN) @ Sea Level 750	Force to Engage and Disengage (In-Lbs MAX) 2	
Contact Resistance (Milliohms MAX)	Center Contact Captivation Axial (Lbs) 6 Min	
Center Contact 5.0	Radial (In-Oz) N/A	
Outer Contact 3.0	Cable Retention Axial Force (Lbs) 20 MIN	
Cable to Housing 0.5	Torque (In-Oz) N/A	
RF High Potential @ Sea Level (VRMS MIN @ 5 MHz) 500	Weight (Grams) TBD	
I.R.(Megohms MIN) 10,000		

① ⑨	① ⑦	④	① ⑥	① ⑦	③	⑤	1056443-3
② ⑧	② ⑧	④	① ⑥	① ⑦	③	⑤	1056443-1
HOUSING	COUPLING NUT	DIELECTRIC	CENTER CONTACT	FERRULE	RETAINING RING	GASKET	TE PN.

THIS DRAWING IS A CONTROLLED DOCUMENT.

DWN BWC 6/2/67	Tyco Electronics Corporation Kunshan, Jiangsu, RPC 215312
CHK EJD 8/9/67	
APVD DJ 8/10/67	
PRODUCT SPEC	
APPLICATION SPEC	NAME OSM STRAIGHT CABLE(RG-174/U) PLUG CLAMP ATTACHMENT
WEIGHT -	SIZE A2 CAGE CODE 00779 DRAWING NO C=1056443 RESTRICTED TO -
CUSTOMER DRAWING	SCALE 5:1 SHEET 1 of 1 REV B

Mouser Electronics

Authorized Distributor

Click to View Pricing, Inventory, Delivery & Lifecycle Information:

[TE Connectivity:](#)

[2831-7388-02](#)