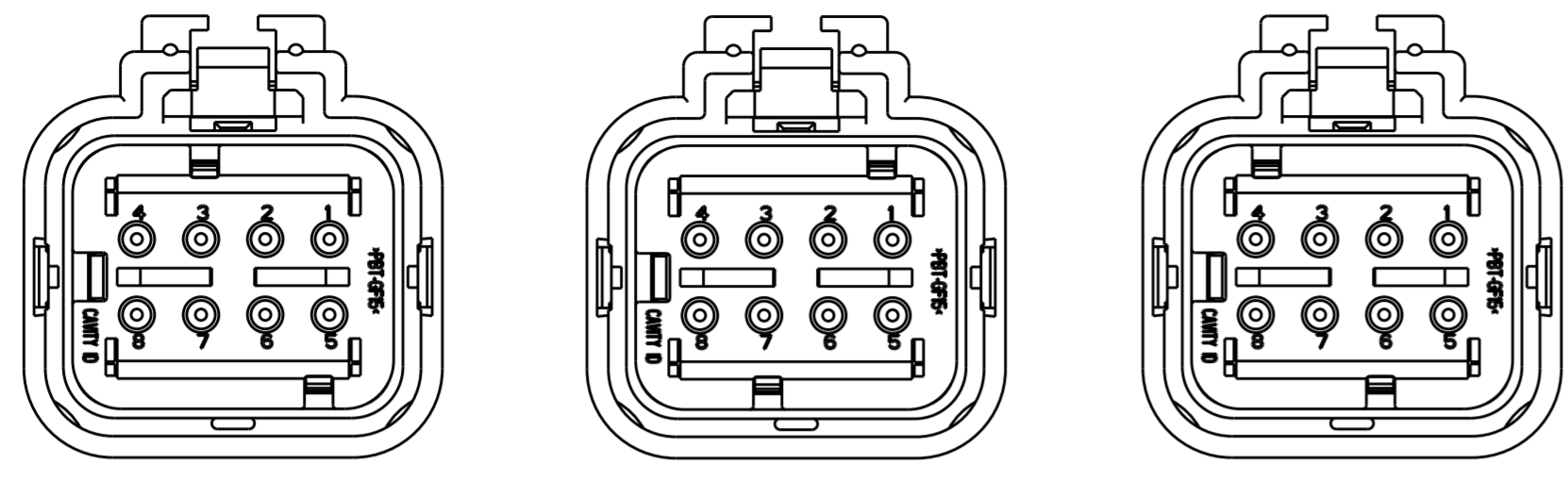


THIS DRAWING IS UNPUBLISHED. RELEASED FOR PUBLICATION 20
 © COPYRIGHT 20 BY - ALL RIGHTS RESERVED.

REVISIONS				
P	LTR	DESCRIPTION	DATE	APVD
D	I	REVISED PER ECO-11-005294	29APR2011	RK HMR
E		REVISED PER ECO-13-019231	09DEC2013	DR RB

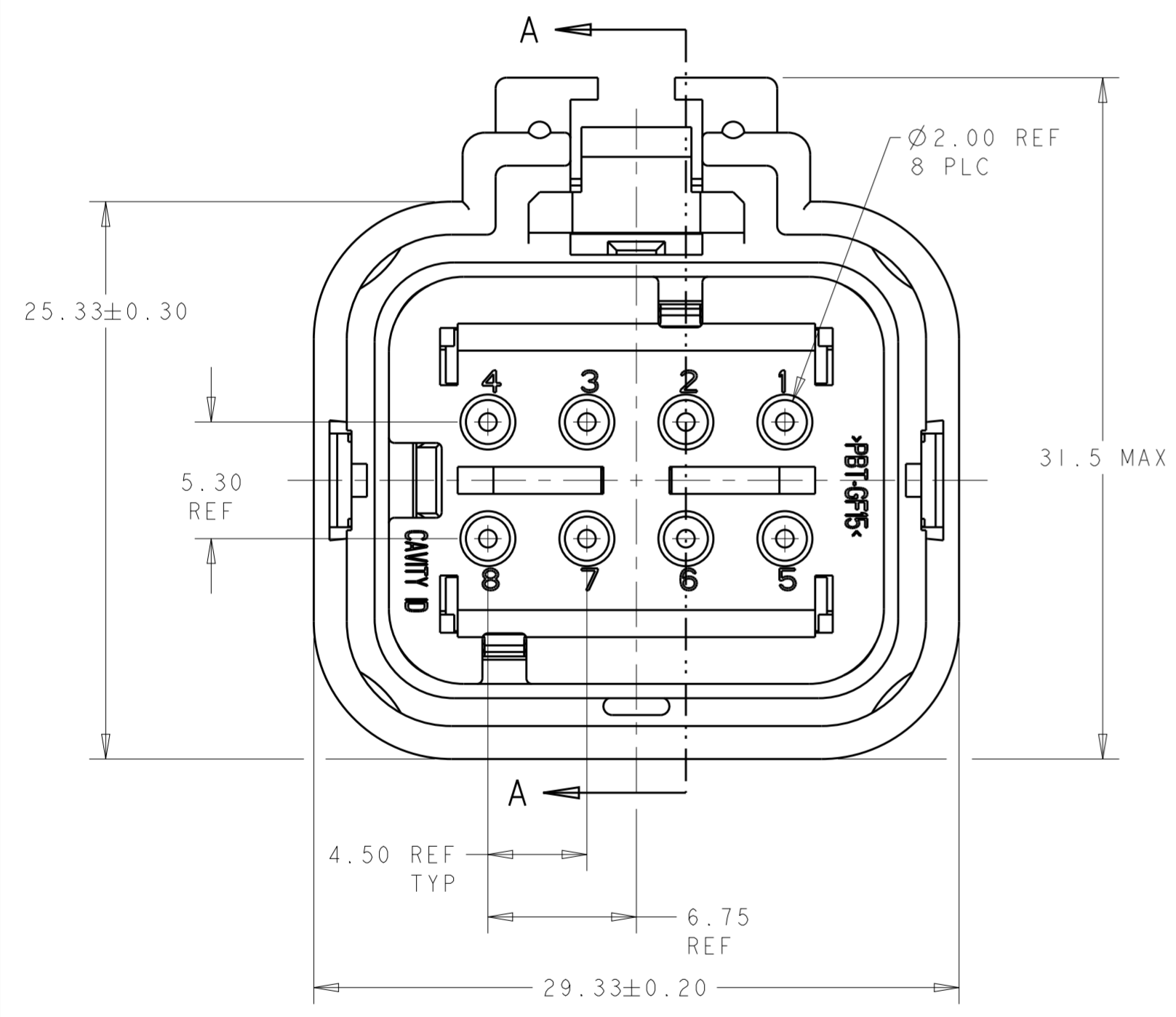


776532-2
(GRAY TPA)
SCALE 2:1

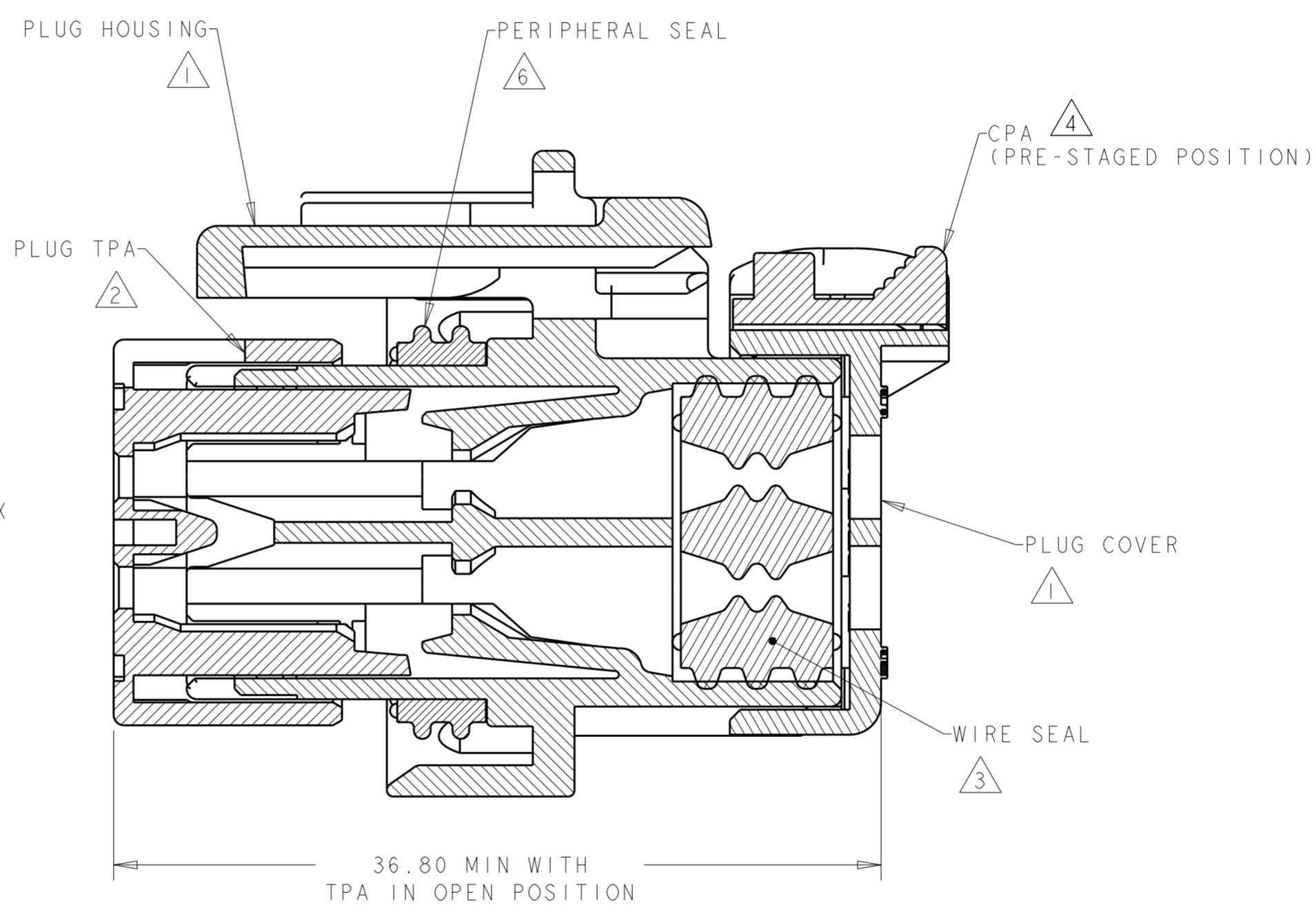
776532-3
(YELLOW TPA)
SCALE 2:1

776532-4
(GREEN TPA)
SCALE 2:1

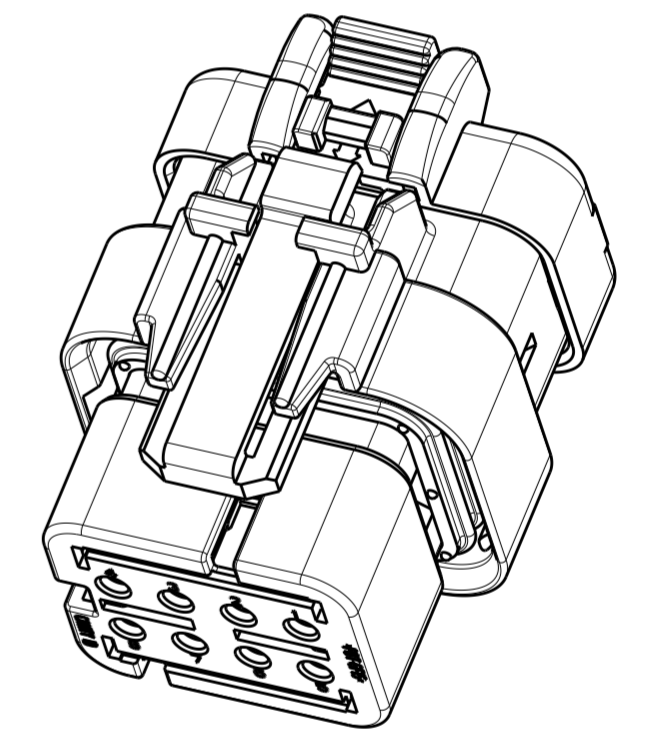
- ① MATERIAL: 15% GLASS FILLED THERMOPLASTIC
COLOR: BLACK
- ② MATERIAL: 15% GLASS FILLED THERMOPLASTIC
COLOR: (SEE TABLE)
- ③ MATERIAL: SILICONE
COLOR: RUST
- ④ MATERIAL: 15% GLASS FILLED THERMOPLASTIC
COLOR: RED
- 5. RECOMMENDED WIRE DIAMETER RANGE IS 1.30 TO 2.54mm.
- ⑥ MATERIAL: SILICONE
COLOR: TAN



776532-1 SHOWN



SECTION A-A



SCALE 2:1

GREEN	776532-4
YELLOW	776532-3
GRAY	776532-2
RED	776532-1
TPA COLOR	PART NUMBER

THIS DRAWING IS A CONTROLLED DOCUMENT.		DWN B. SIMPSON 05NOV2002	TE Connectivity	
DIMENSIONS: mm		CHK D. KLEIN 05NOV2002		
TOLERANCES UNLESS OTHERWISE SPECIFIED:		APVD D. KLEIN 05NOV2002	NAME	
0 PLC ±	1 PLC ±	PRODUCT SPEC	PLUG ASSEMBLY, 8 POSITION, DUAL ROW, REDUCED DIA WIRE SEAL, AMPSEAL 16	
2 PLC ±	3 PLC ±	108-2184	SIZE	CAGE CODE
4 PLC ±	ANGLES ±	114-13065	A2	-
FINISH -	-	WEIGHT 16±1g	DRAWING NO G-776532	
MATERIAL -		Customer Drawing	SCALE 4:1	SHEET OF
				REV E

Mouser Electronics

Authorized Distributor

Click to View Pricing, Inventory, Delivery & Lifecycle Information:

[TE Connectivity:](#)

[776532-2](#)