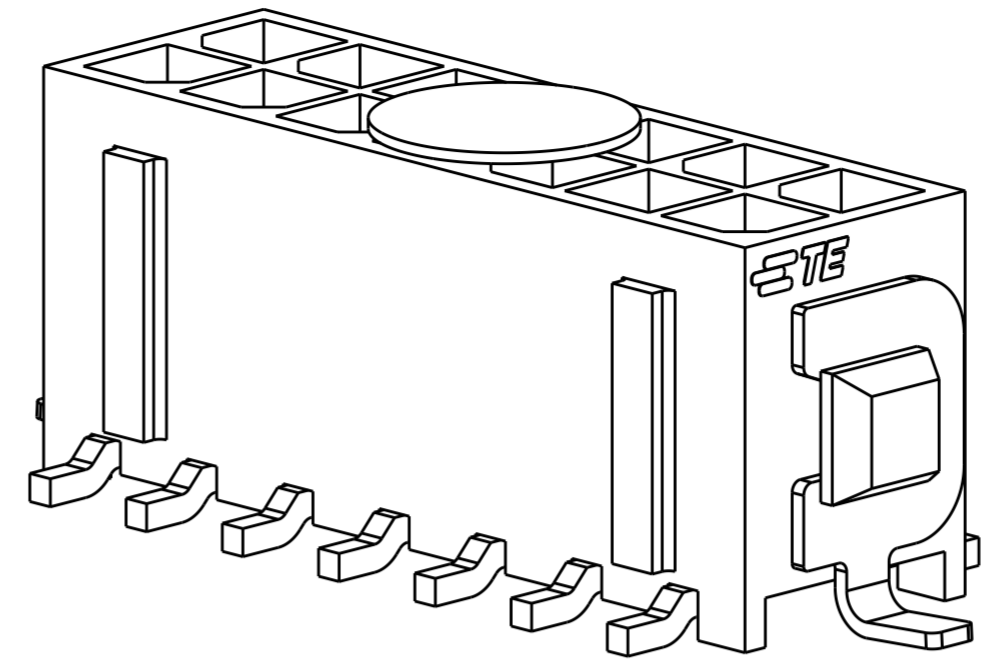
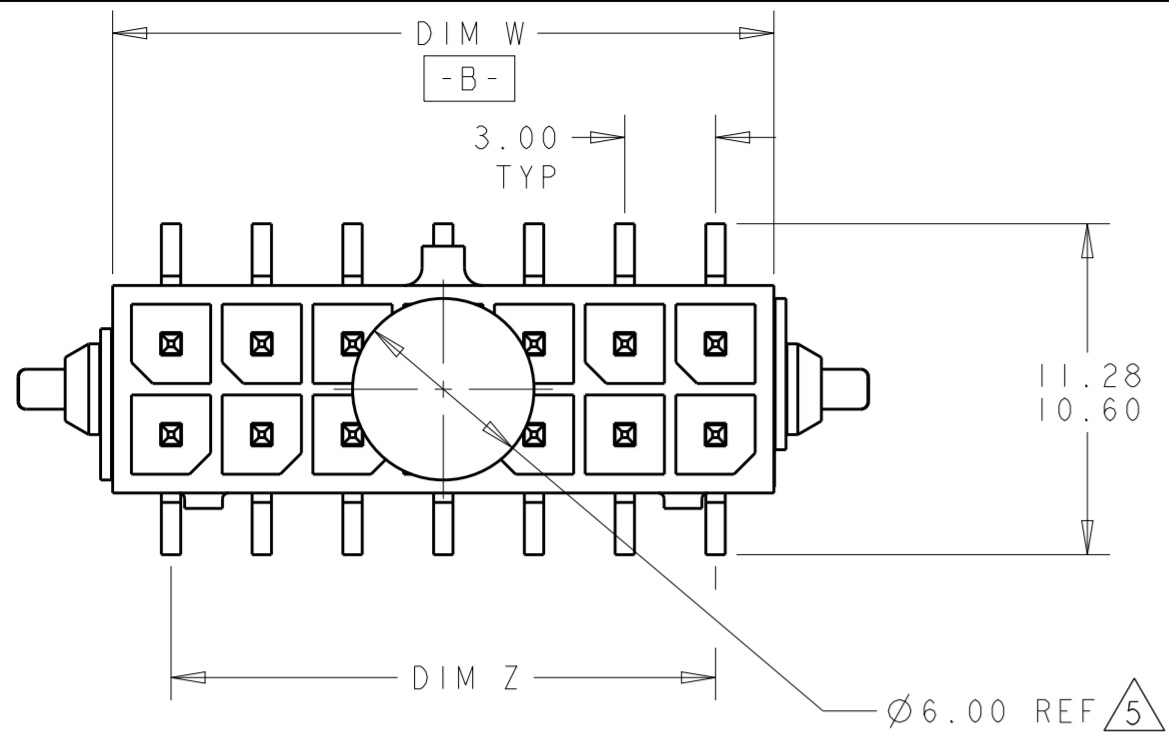
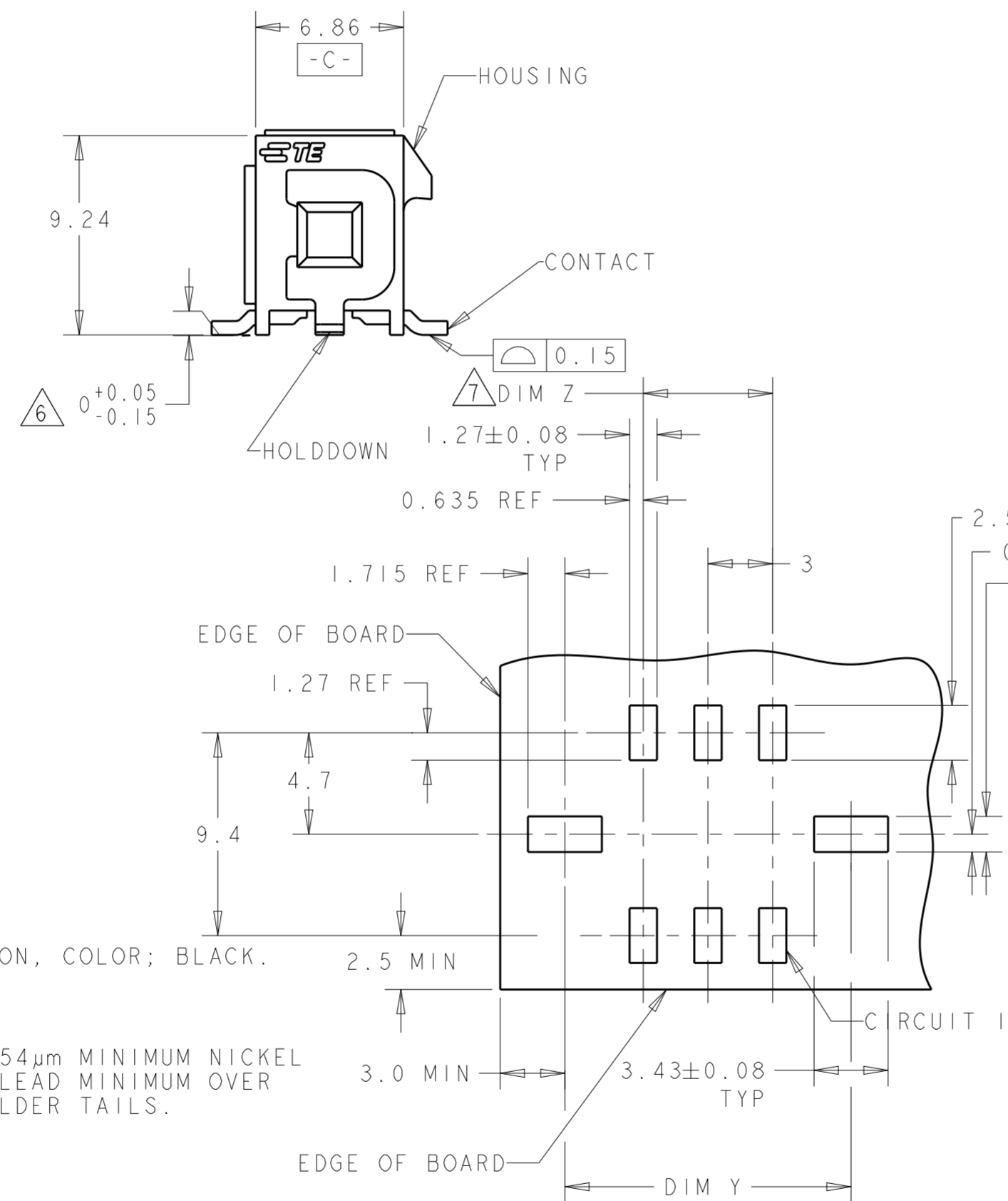
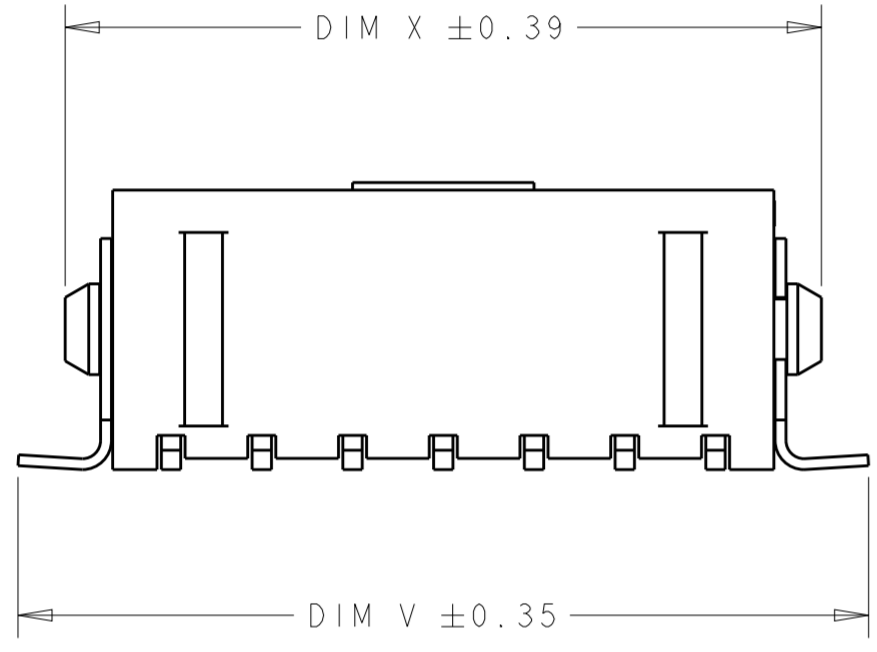


THIS DRAWING IS UNPUBLISHED. RELEASED FOR PUBLICATION 20
 © COPYRIGHT 20 BY - ALL RIGHTS RESERVED.

| REVISIONS | | | | | |
|-----------|-----|---------------------------|-----------|-----|------|
| P | LTR | DESCRIPTION | DATE | DWN | APVD |
| | J2 | REVISED PER ECR-17-017609 | 04DEC2017 | JB | DZ |



SCALE 6:1



- $\triangle 1$ MATERIAL;
CONTACTS - BRASS.
HOUSING - UL 94V-0 RATED HIGH TEMP NYLON, COLOR; BLACK.
HOLDDOWNS - PHOSPHOR BRONZE.
- $\triangle 2$ PLATING;
CONTACTS - 0.38 μ m MINIMUM GOLD OVER 2.54 μ m MINIMUM NICKEL ON MATING AREA. 2.54 μ m TIN-LEAD MINIMUM OVER 2.54 μ m NICKEL MINIMUM ON SOLDER TAILS.
HOLDDOWNS - 2.54 μ m TIN LEAD.
- $\triangle 4$ RECOMMENDED PCB BOARD THICKNESS OF 1.57.
- $\triangle 5$ KAPTON VACUUM PICK UP BUTTON.
- $\triangle 6$ DIMENSION APPLIES TO SOLDER TAIL SURFACES AND STANDOFF SURFACES.
- $\triangle 7$ ALL SOLDER TAILS AND HOLDDOWNS.
- $\triangle 8$ PLATING;
CONTACTS - 0.38 μ m MINIMUM GOLD OVER 2.54 μ m MINIMUM NICKEL ON MATING AREA. 2.54 μ m MATTE TIN MINIMUM OVER 2.54 μ m NICKEL MINIMUM ON SOLDER TAILS.
HOLDDOWNS - 2.54 μ m MATTE TIN.

RECOMMENDED PCB LAYOUT (COMPONENT SIDE) $\triangle 4$

| | FINISH | DIM V | DIM W | DIM Y | DIM Z | DIM X | NO. OF POSN. | PART NUMBER |
|---------------|--------------------------|-------|-------|-------|-------|-------|--------------|-------------|
| $\triangle 8$ | | 43.04 | 36.86 | 40.27 | 33.00 | 40.00 | 24 | 5-794637-4 |
| $\triangle 8$ | | 40.04 | 33.86 | 37.27 | 30.00 | 37.00 | 22 | 5-794637-2 |
| $\triangle 8$ | | 37.04 | 30.86 | 34.27 | 27.00 | 34.00 | 20 | 5-794637-0 |
| $\triangle 8$ | | 34.04 | 27.86 | 31.27 | 24.00 | 31.00 | 18 | 4-794637-8 |
| $\triangle 8$ | | 31.04 | 24.86 | 28.27 | 21.00 | 28.00 | 16 | 4-794637-6 |
| $\triangle 8$ | | 28.04 | 21.86 | 25.27 | 18.00 | 25.00 | 14 | 4-794637-4 |
| $\triangle 8$ | | 25.04 | 18.86 | 22.27 | 15.00 | 22.00 | 12 | 4-794637-2 |
| $\triangle 8$ | | 22.04 | 15.86 | 19.27 | 12.00 | 19.00 | 10 | 4-794637-0 |
| $\triangle 8$ | | 19.04 | 12.86 | 16.27 | 9.00 | 16.00 | 8 | 3-794637-8 |
| $\triangle 8$ | | 16.04 | 9.86 | 13.27 | 6.00 | 13.00 | 6 | 3-794637-6 |
| $\triangle 8$ | | 13.04 | 6.86 | 10.27 | 3.00 | 10.00 | 4 | 3-794637-4 |
| $\triangle 8$ | | 10.04 | 3.86 | 7.27 | - | 7.00 | 2 | 3-794637-2 |
| $\triangle 2$ | SUPERSEDED BY 5-794637-4 | 43.04 | 36.86 | 40.27 | 33.00 | 40.00 | 24 | 2-794637-4 |
| $\triangle 2$ | SUPERSEDED BY 5-794637-2 | 40.04 | 33.86 | 37.27 | 30.00 | 37.00 | 22 | 2-794637-2 |
| $\triangle 2$ | SUPERSEDED BY 5-794637-0 | 37.04 | 30.86 | 34.27 | 27.00 | 34.00 | 20 | 2-794637-0 |
| $\triangle 2$ | SUPERSEDED BY 4-794637-8 | 34.04 | 27.86 | 31.27 | 24.00 | 31.00 | 18 | 1-794637-8 |
| $\triangle 2$ | SUPERSEDED BY 4-794637-6 | 31.04 | 24.86 | 28.27 | 21.00 | 28.00 | 16 | 1-794637-6 |
| $\triangle 2$ | SUPERSEDED BY 4-794637-4 | 28.04 | 21.86 | 25.27 | 18.00 | 25.00 | 14 | 1-794637-4 |
| $\triangle 2$ | SUPERSEDED BY 4-794637-2 | 25.04 | 18.86 | 22.27 | 15.00 | 22.00 | 12 | 1-794637-2 |
| $\triangle 2$ | SUPERSEDED BY 4-794637-0 | 22.04 | 15.86 | 19.27 | 12.00 | 19.00 | 10 | 1-794637-0 |
| $\triangle 2$ | SUPERSEDED BY 3-794637-8 | 19.04 | 12.86 | 16.27 | 9.00 | 16.00 | 8 | 794637-8 |
| $\triangle 2$ | SUPERSEDED BY 3-794637-6 | 16.04 | 9.86 | 13.27 | 6.00 | 13.00 | 6 | 794637-6 |
| $\triangle 2$ | SUPERSEDED BY 3-794637-4 | 13.04 | 6.86 | 10.27 | 3.00 | 10.00 | 4 | 794637-4 |
| $\triangle 2$ | SUPERSEDED BY 3-794637-2 | 10.04 | 3.86 | 7.27 | - | 7.00 | 2 | 794637-2 |

| |
|--------------------------|
| SUPERSEDED BY 5-794637-4 |
| SUPERSEDED BY 5-794637-2 |
| SUPERSEDED BY 5-794637-0 |
| SUPERSEDED BY 4-794637-8 |
| SUPERSEDED BY 4-794637-6 |
| SUPERSEDED BY 4-794637-4 |
| SUPERSEDED BY 4-794637-2 |
| SUPERSEDED BY 4-794637-0 |
| SUPERSEDED BY 3-794637-8 |
| SUPERSEDED BY 3-794637-6 |
| SUPERSEDED BY 3-794637-4 |
| SUPERSEDED BY 3-794637-2 |

THIS DRAWING IS A CONTROLLED DOCUMENT.

DIMENSIONS: mm

TOLERANCES UNLESS OTHERWISE SPECIFIED:
 0 PLC \pm
 1 PLC \pm
 2 PLC ± 0.13
 3 PLC \pm
 4 PLC \pm
 ANGLES \pm
 FINISH SEE TABLE

MATERIAL $\triangle 1$

APVD: 19-MAR-2003
 CHK: K. WHITAKER
 C. JONES
 APVD: 19-MAR-2003
 C. JONES

PRODUCT SPEC
 APPLICATION SPEC

WEIGHT

CUSTOMER DRAWING

SCALE 4:1 SHEET 1 OF 1 REV J2

STB TE Connectivity

NAME: SURFACE MOUNT, VERTICAL, MECHANICAL HOLDDOWN, ASSEMBLY, 15 GOLD HEADER DUAL ROW, MICRO MATE-N-LOK TM

SIZE: A2 CAGE CODE: 0779 DRAWING NO: C-794637

Mouser Electronics

Authorized Distributor

Click to View Pricing, Inventory, Delivery & Lifecycle Information:

[TE Connectivity:](#)

[4-794637-2](#)