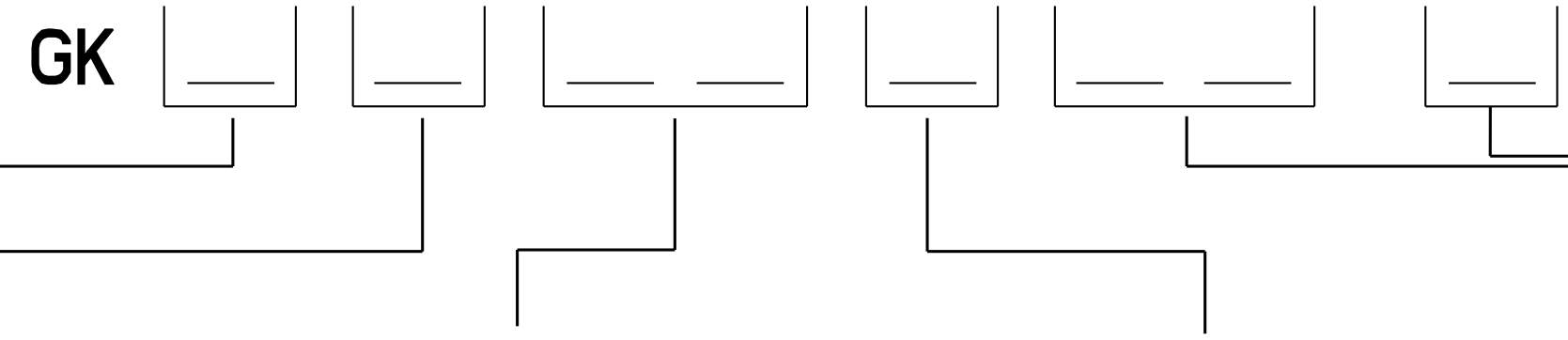


DUAL ENTRY KEY OPERATED SAFETY INTERLOCK NOMENCLATURE



BODY / INDICATOR		CONDUIT		BASIC		HEAD		KEY		MODIFICATION CODE
B	NO INDICATOR	A	1/2 NPT	1	SNAP ACTION 1 NC - 1 NO, A600	L	OPENING TO FRONT AND TOP	6	STRAIGHT	
C	SINGLE LED INDICATOR	B	PG 13.5	2	SNAP ACTION 2 NC - 2 NO, A600	M	OPENING TO RIGHT AND TOP	7	90 DEGREE	F06
D	DOUBLE LED INDICATOR	C	20 MM	3	SLOW ACTING 1 NC - 1 NO BBM, A600	N	OPENING TO BACK AND TOP	8	UP-DOWN - SPRING LOADED	FW
		D	PF 1/2	4	SLOW ACTING 1 NC - 1 NO MBB, A600	P	OPENING TO LEFT AND TOP	9	SIDE-SIDE - SPRING LOADED	
				6	SLOW ACTING 2 NC, A300			X	NO KEY	
				7	SNAP ACTION 1 NC - 1 NO - GOLD, SEE BELOW					
				10	SLOW ACTING 4 NC, A300					
				12	SLOW ACTING 2 NC - 1 NO BBM, A300					
				14	SLOW ACTING 2 NC - 2 NO BBM, A300					
				16	SLOW ACTING 3 NC - 1 NO BBM, A300					
				30	SLOW ACTING 4 NC - GOLD, A300					
				32	SLOW ACTING 2 NC - 1 NO BBM - GOLD, A300					
				34	SLOW ACTING 2 NC - 2 NO BBM - GOLD, A300					
				36	SLOW ACTING 3 NC - 1 NO BBM - GOLD, A300					

- NOTES
- ZINC DIECAST BODY AND HEAD WITH STEEL COVER. BODY, HEAD AND COVER FINISHED WITH EPOXY PAINT
 - MINIMUM OPERATING VELOCITY (V_{min}) = 10 mm/S
.39 in/S
MAXIMUM OPERATING VELOCITY (V_{max}) = 1 M/S
39.4 in/S
 - MAXIMUM OPERATING FREQUENCY (F_{max}) = 100 OPS/MIN
 - NO CHANGES CAN BE MADE TO THIS DRAWING WITHOUT JOINT FREEPORT/NEWHOUSE APPROVAL
 - INSERTION FORCE = 35N NOM
8 LB
EXTRACTION FORCE = 28 N NOM
6 LB
 - SNAP ACTION N.C. CONTACTS: POSITIVE OPENING
SLOW MAKE AND BREAK N.C. CONTACTS: DIRECT ACTING
 - WHEN KEY IS INSERTED: N.C. TERMINALS ARE 11/12, 21/22, 31/32 AND/OR 41/42
N.O. TERMINALS ARE 13/14, 23/24, 33/34 AND/OR 43/44
 - THE MAXIMUM VOLTAGE, V_e OF GKC AND GKD SERIES PRODUCTS IS THE MAXIMUM RATED VOLTAGE OF INDICATION LIGHTS: 12 TO 250 VAC/DC FOR GKC AND 18 TO 30 VDC FOR GKD
 - THE LEFT INDICATOR IS GREEN AND IS INTENDED TO INDICATE "POWER ON". THIS FEATURE IS ON GKD SERIES PRODUCTS ONLY.
THE RIGHT INDICATOR IS YELLOW AND IS INTENDED TO INDICATE "OUTPUT STATUS". THIS FEATURE IS ON GKC AND GKD SERIES PRODUCTS ONLY
 - SEE BASIC SWITCH COLUMN FOR VOLTAGE RATING
 - T-15 TAMPER PROOF TORX DRIVER BIT PROVIDED
 - SWITCH MUST OPERATE BEFORE REACHING MINIMUM INSERTION DISTANCE
 - FOR CONNECTOR AND CIRCUIT DETAILS OF MODIFICATION CODE, REFER PAGE 7 FOR CODE F06, PAGE 8 FOR CODE FW

SPDT GOLD PLATED CONTACTS	ELECTRICAL RATING				ENVIRONMENTAL	APPROVALS
	AC		DC			
1V 10μ MIN 50V 100mA MAX	A300/A600	AC15	Q300	DC13	IP 67 NEMA 1, 4, 12 & 13 TEMP RANGE: -25°C TO 85°C -13°F TO 185°F STORAGE: -40°C TO 85°C -40°F TO 185°F SHOCK: 50G PER IEC 68-2-27 VIBRATION: 10G PER IEC 68-2-6	 IEC 947-5-1 EN50041
	U _e	I _e	U _e	I _e		
	(VOLTS)	(AMPS)	(VOLTS)	(AMPS)		
	120	6	24	2.8		
	240	3	125	.55		
	380	1.9	250	.27		
480	1.5					
500	1.4					
600	1.2					
I _{th} = 10A						

P.T.C./CAD 30
 DRAWN 28 AUG 98
 MAM
 CHECK DVM
 21 SEP 06
 CHECK CMH
 12 OCT 12
 12 OCT 12
 0094570
 10 NOV 11
 0083578
 32 33
 DRAWING NUMBER
 1 OF 8
 RELEASE NO. PR-23758
 REPLACES

MICRO SWITCH a Honeywell Division FED. MFG. CODE 91929	SWITCH - LIMIT	CATALOG LISTING GK SERIES CHART 3
--	----------------	--------------------------------------

THIS DRAWING IS NOT TO BE COPIED OR USED WITHOUT THE APPROVAL OF MICRO SWITCH. A DIVISION OF HONEYWELL. THIS DRAWING IS NOT TO BE COPIED OR USED WITHOUT THE APPROVAL OF MICRO SWITCH.

THIRD ANGLE PROJECTION

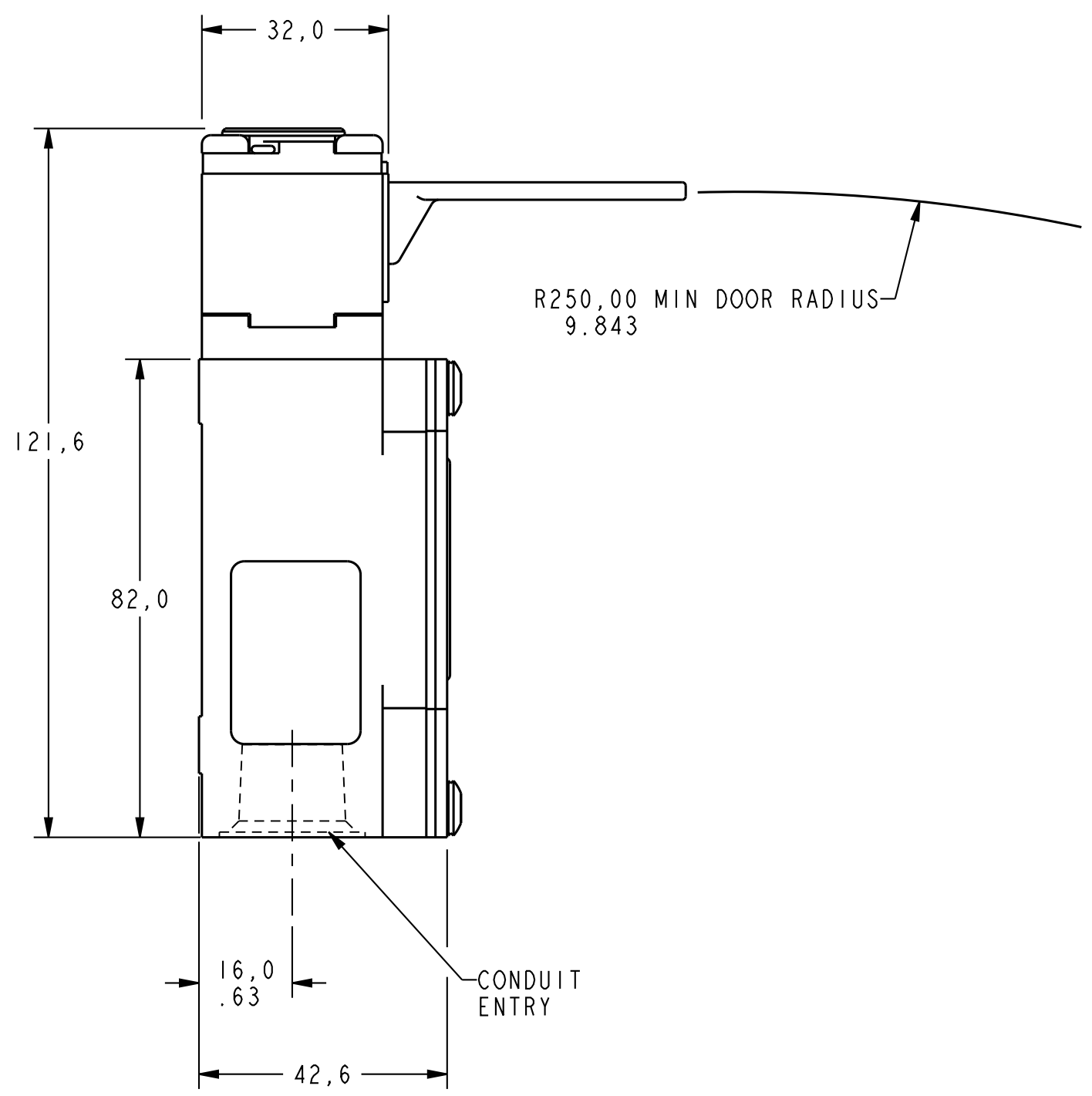
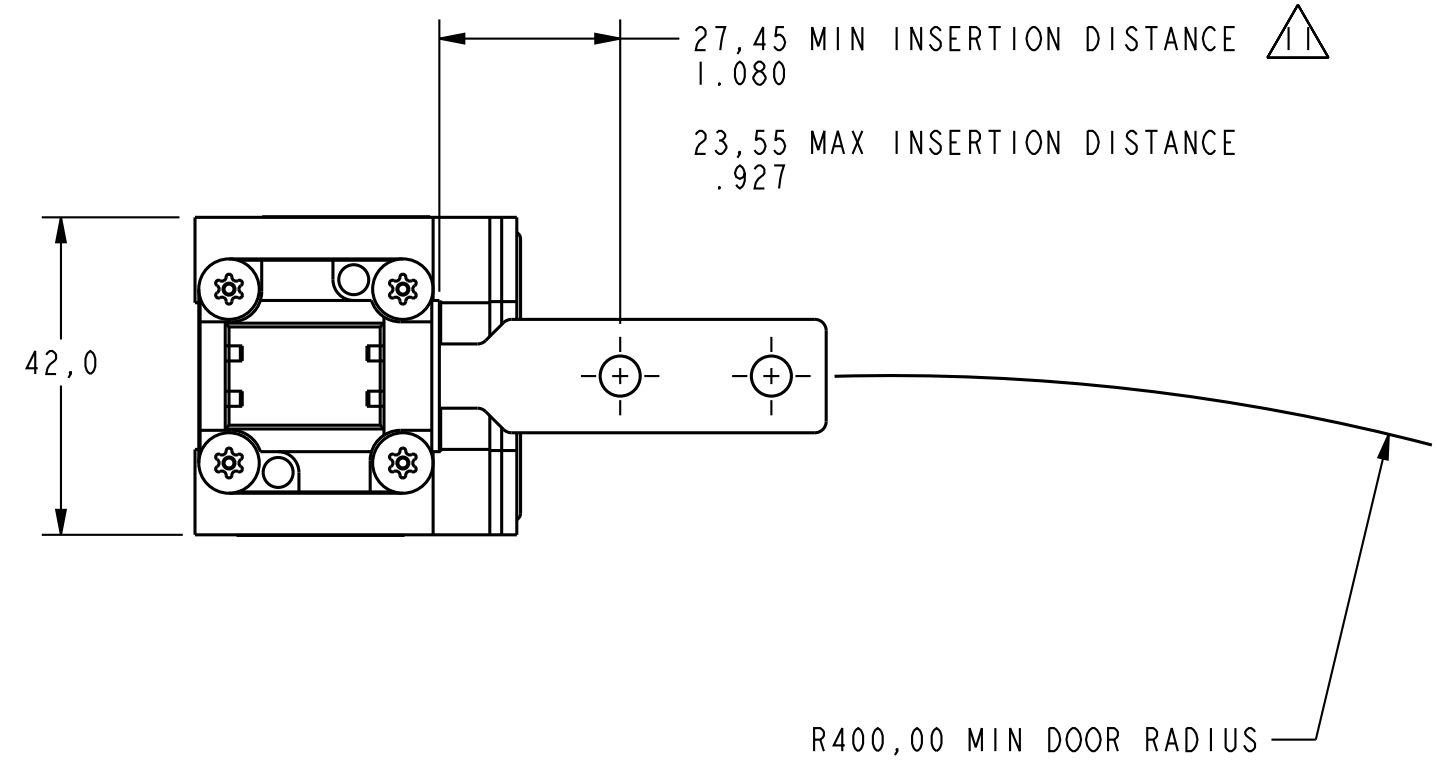
SCALE NONE

DO NOT SCALE PRINT

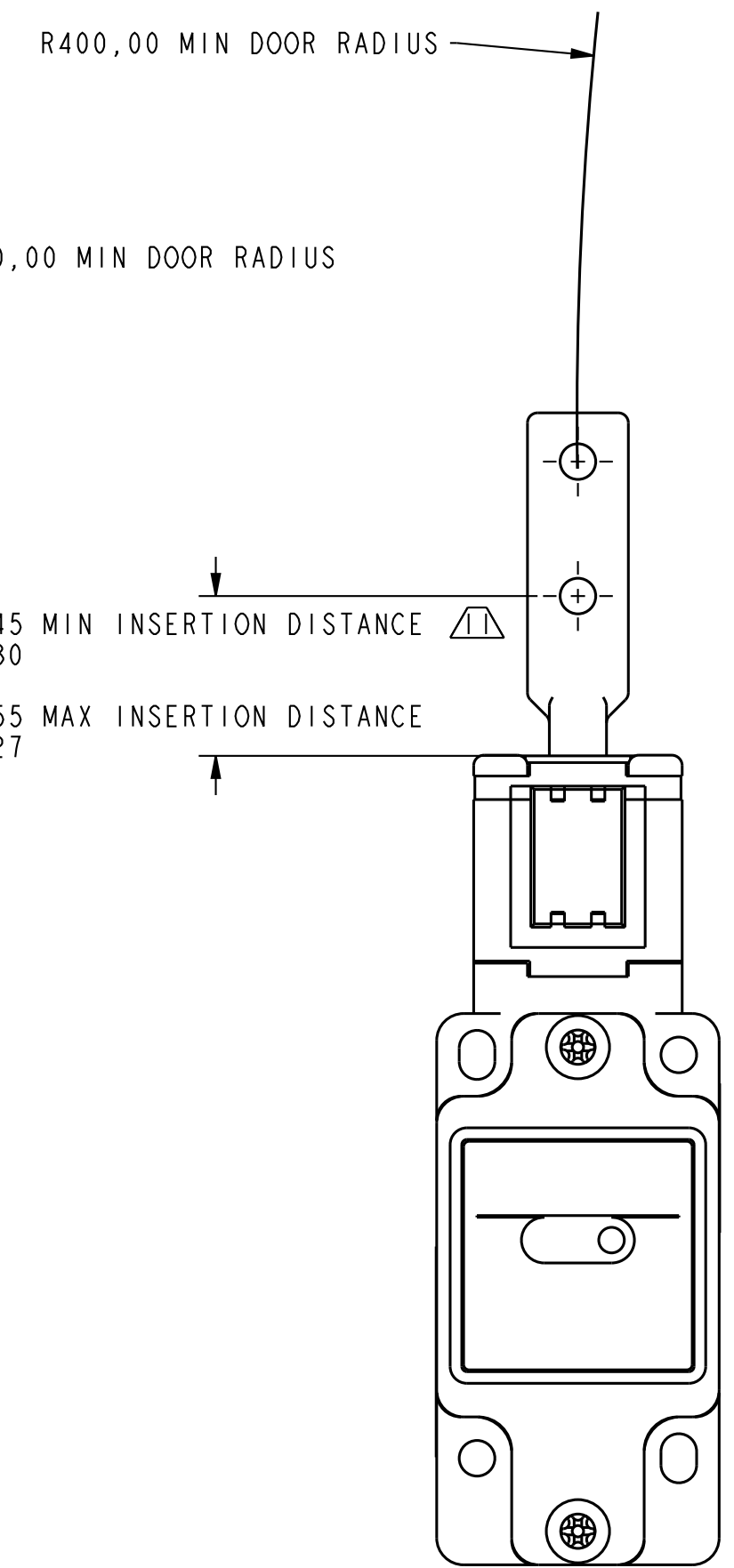
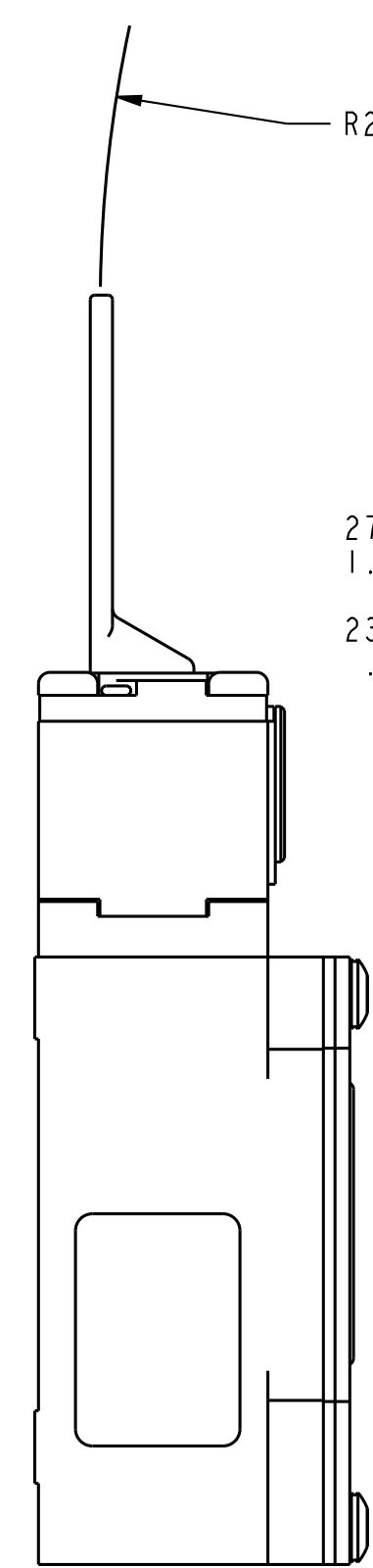
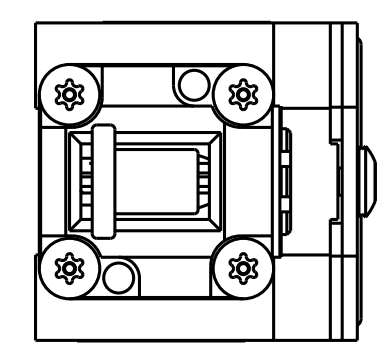
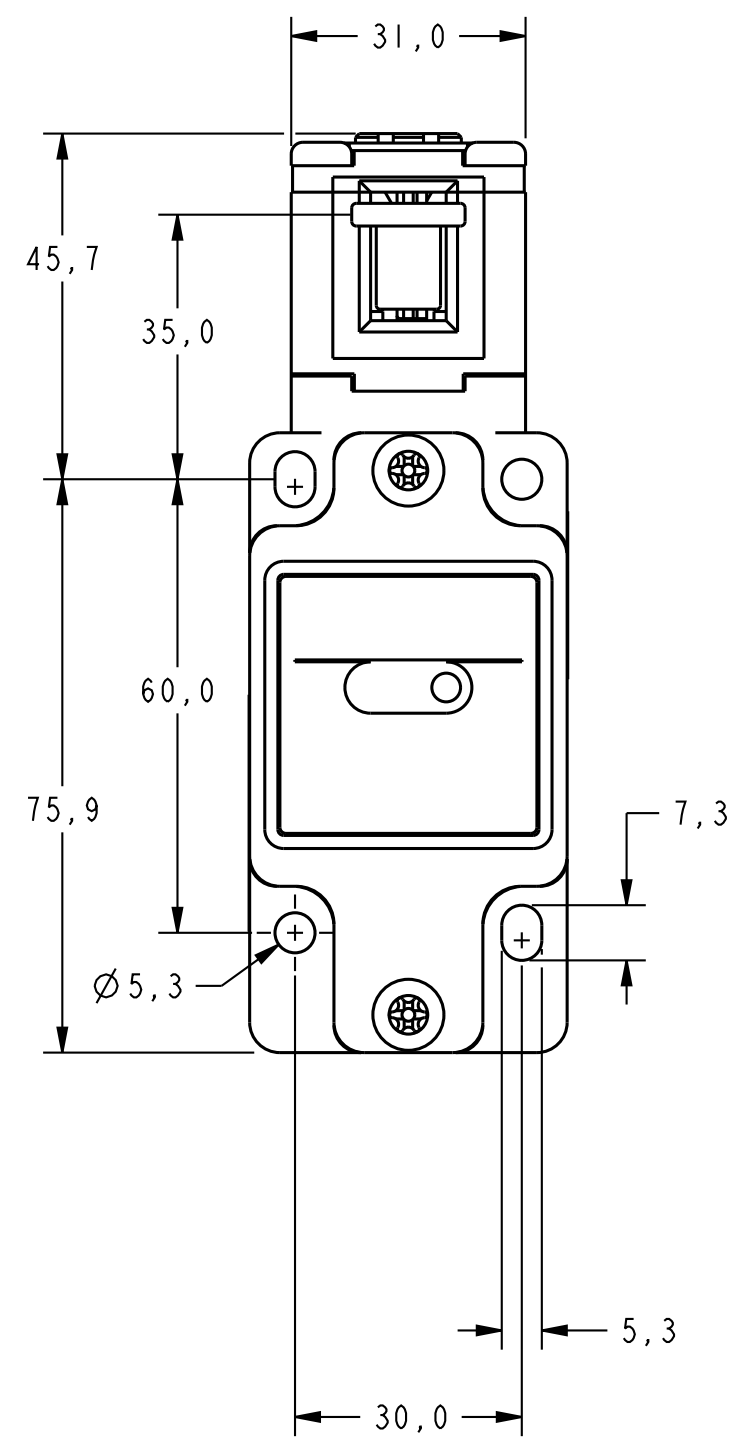
UNLESS OTHERWISE SPECIFIED TOLERANCES ARE

ONE PLACE	(.0)	±.030
TWO PLACES	(.00)	±.015
THREE PLACES	(.000)	±.005
ANGLES		±
WEIGHT APPROX .5 KG / 1 LB		

ANSI Y14.5M-1982 APPLIES



FRONT ENTRY



TOP ENTRY

P.T.C./CAD 30
 DRAWN MAM 28 AUG 98
 CHECK JAF 12 MAY 99
 DVM 21 SEP 06
 CMH 12 OCT 12
 CHECK 12 OCT 12
 RELEASE NO. PR-23758
 REPLACES
 M GK SERIES CHART 3
 DRAWING NUMBER
 ISSUE 3233
 REVISIONS
 L 0083578
 M 0094570
 12 OCT 12

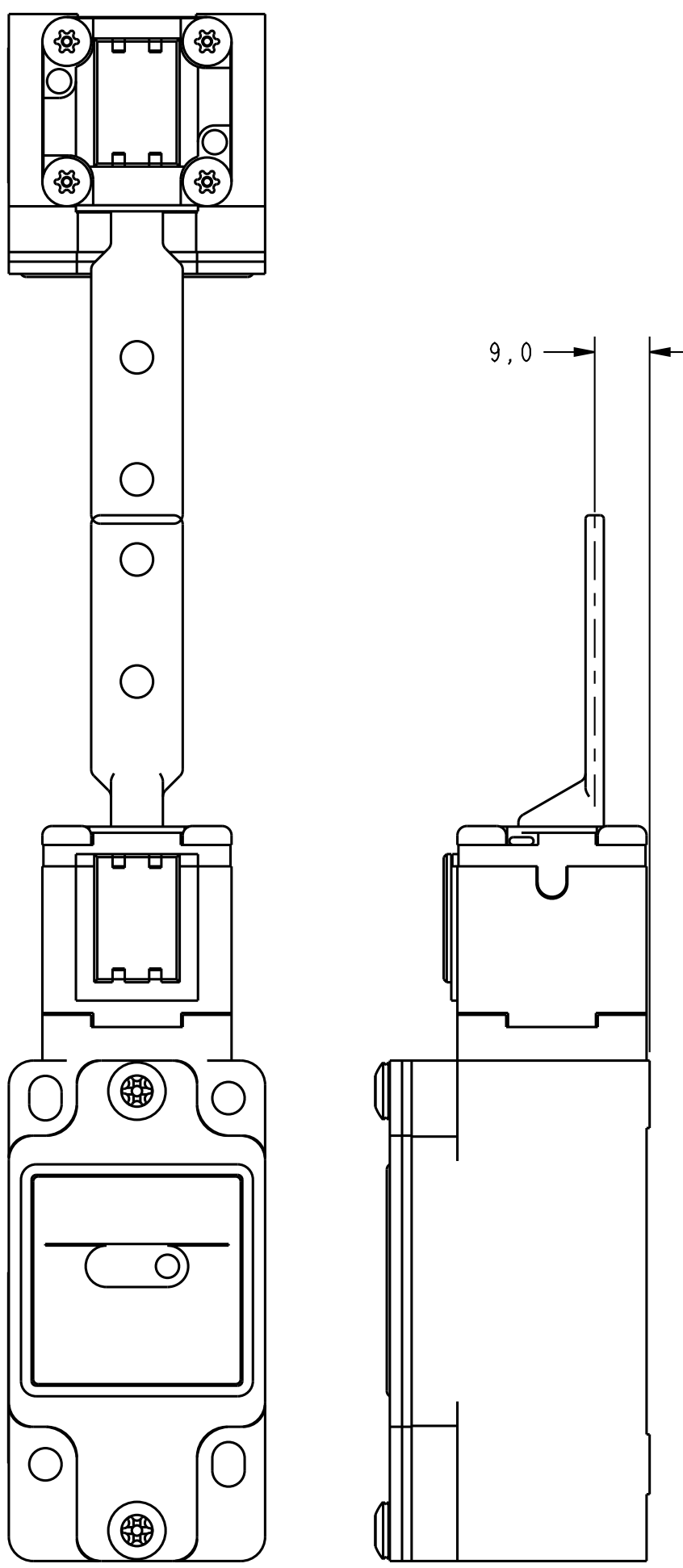
THIS DRAWING COVERS A PROPRIETARY ITEM AND IS THE PROPERTY OF MICRO SWITCH, A DIVISION OF HONEYWELL. THIS DRAWING IS NOT TO BE COPIED OR USED WITHOUT THE APPROVAL OF MICRO SWITCH.

MICRO SWITCH
a Honeywell Division

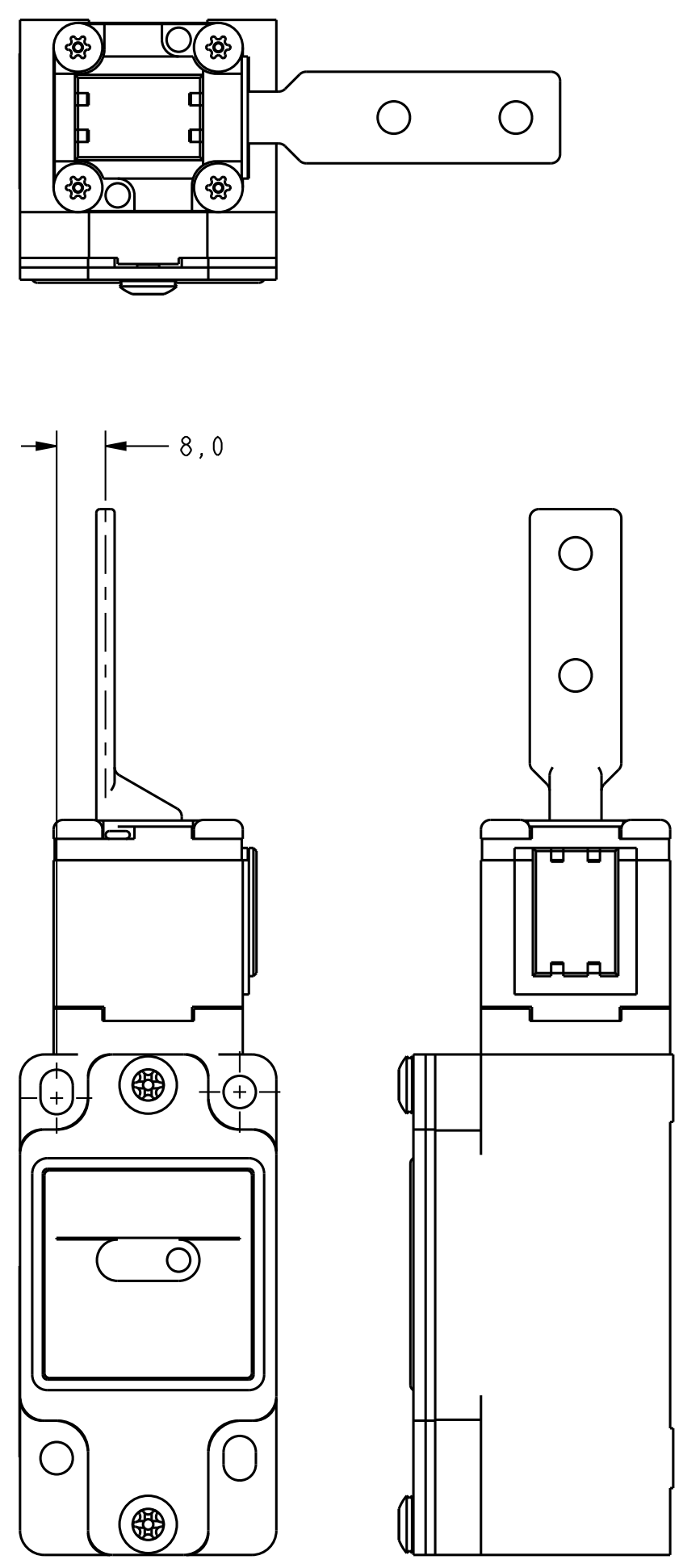
SWITCH - LIMIT

CATALOG LISTING
GK SERIES CHART 3

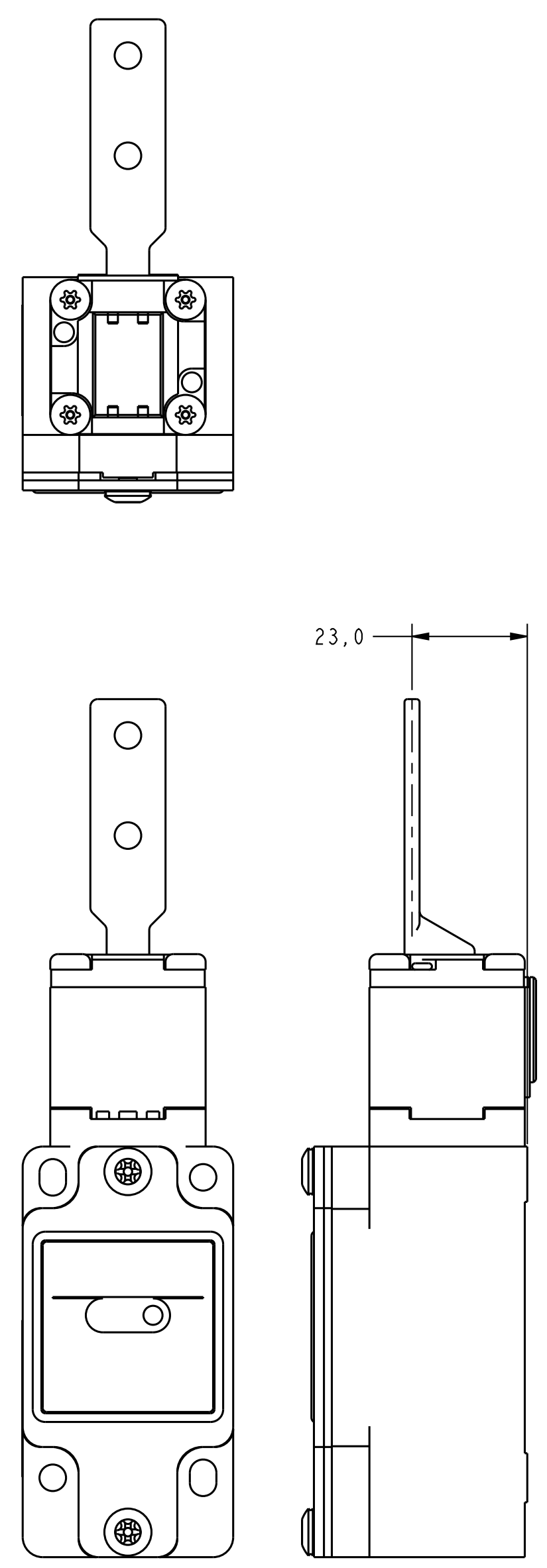
THIRD ANGLE PROJECTION		
SCALE FULL		
DO NOT SCALE PRINT		
UNLESS OTHERWISE SPECIFIED TOLERANCES ARE		
ONE PLACE	(.0)	±.030
TWO PLACES	(.00)	±.015
THREE PLACES	(.000)	±.005
ANGLES		±
WEIGHT APPROX .5 KG / 1LB		



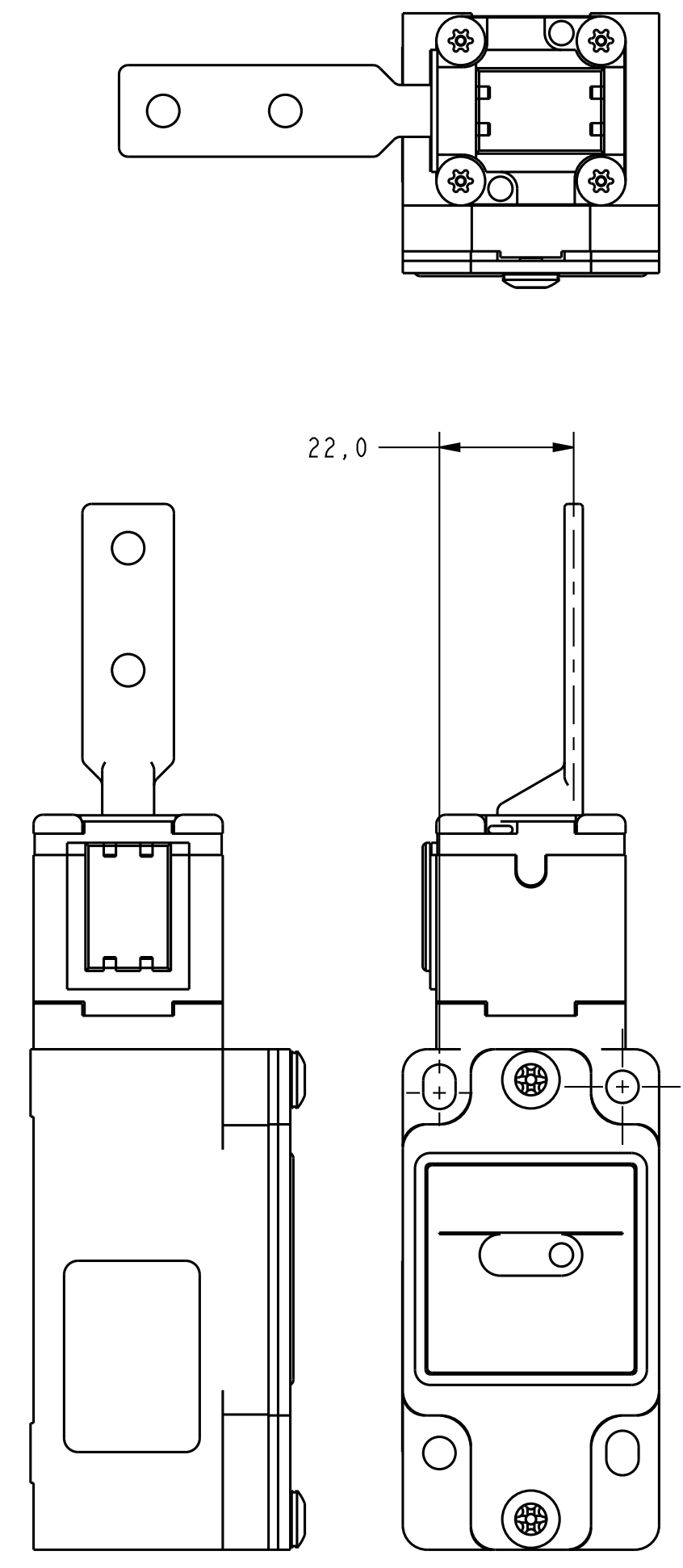
HEAD CODE L



HEAD CODE M



HEAD CODE N



HEAD CODE P

PTC/CAD 3D
 DRAWN
 MAM 31 AUG 98 CHECK JAF
 CHECK DVM 21 SEP 06
 CHECK CMH 12 OCT 12
 CHECK CMH 12 OCT 12
 RELEASE NO. PR-23758
 REPLACES
 GK SERIES CHART 3
 PAGE 3 OF 8

REVISIONS

L	0083578	
M	0094570	10 NOV 11
S		12 OCT 12

THIS DRAWING COVERS A PROPRIETARY ITEM AND IS THE PROPERTY OF MICRO SWITCH, A DIVISION OF HONEYWELL. THIS DRAWING IS NOT TO BE COPIED OR USED WITHOUT THE APPROVAL OF MICRO SWITCH.

MICRO SWITCH
 a Honeywell Division

SWITCH - LIMIT

CATALOG LISTING
GK SERIES CHART 3

ANSI Y14.5M-1982 APPLIES
 FED. MFG. CODE 91929

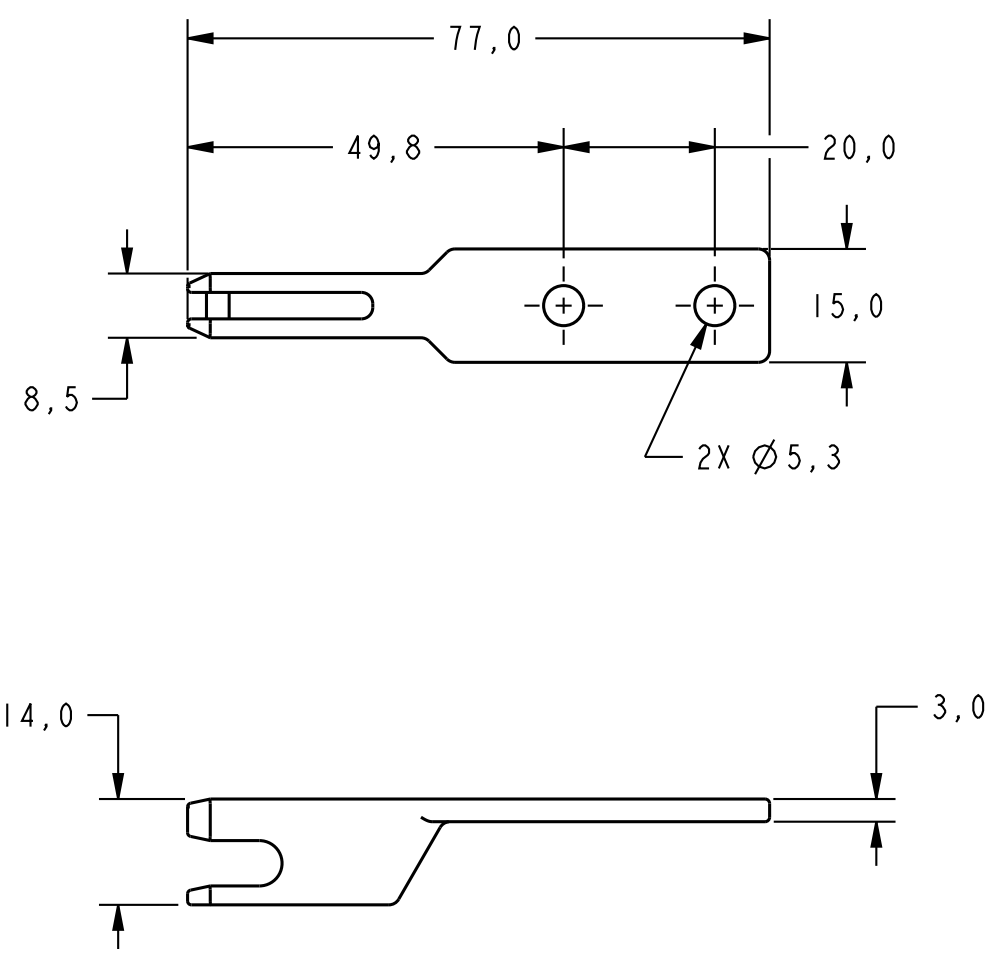
THIRD ANGLE PROJECTION

SCALE FULL

DO NOT SCALE PRINT

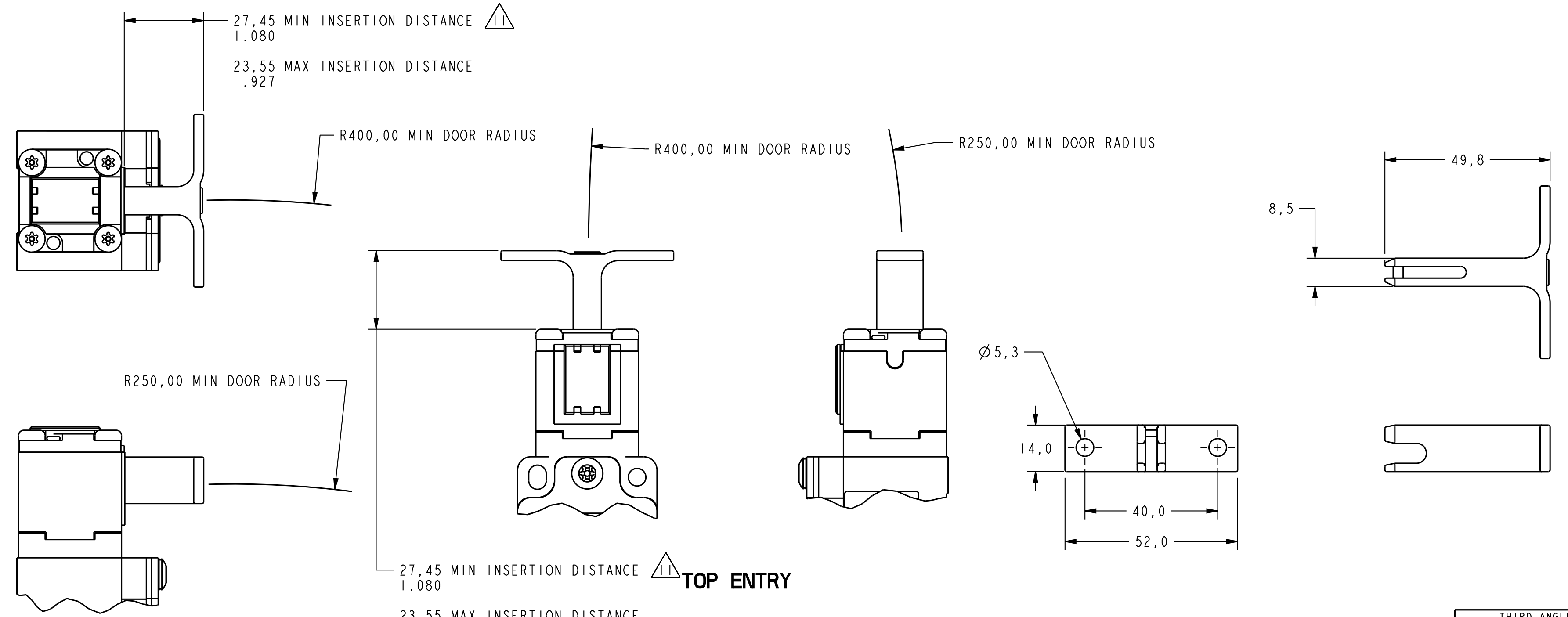
UNLESS OTHERWISE SPECIFIED TOLERANCES ARE

ONE PLACE	(.0)	± .030
TWO PLACES	(.00)	± .015
THREE PLACES	(.000)	± .005
ANGLES		±
WEIGHT	APPROX .5 HG / 1 LB	



KEY CODE 6

P.T.C./CAD 30
 DRAWN MAM 31 AUG 98 CHECK JAF
 CHECK DVM 12MAY99
 CHECK DVM 21SEP06
 CHECK CMH 12OCT12
 RELEASE NO. PR-23758
 REPLACES
 M GK SERIES CHART 3
 DRAWING NUMBER
 PAGE 4 OF 8
 ISSUE 3233



FRONT ENTRY

KEY CODE 7

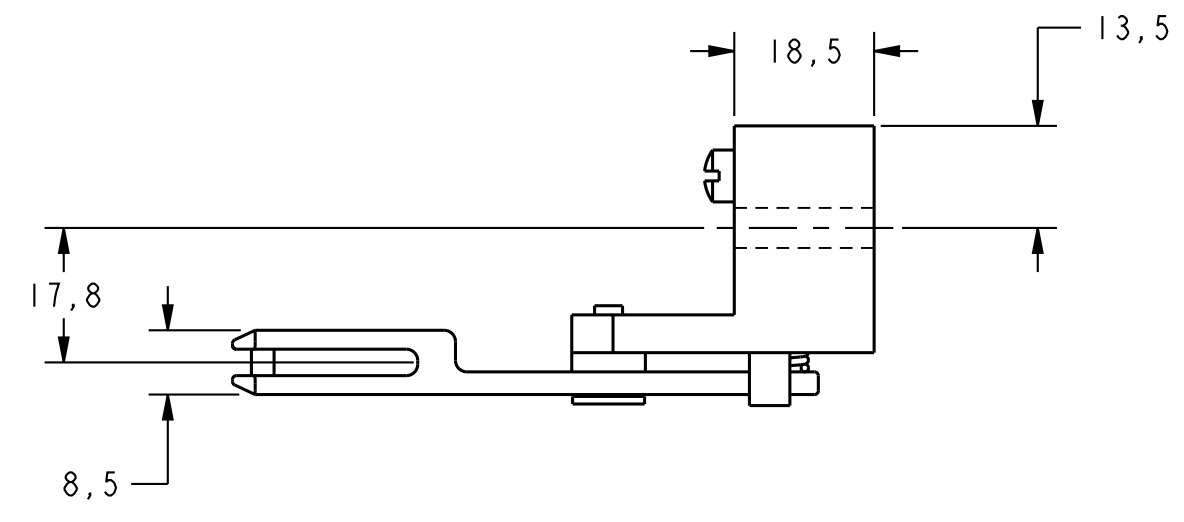
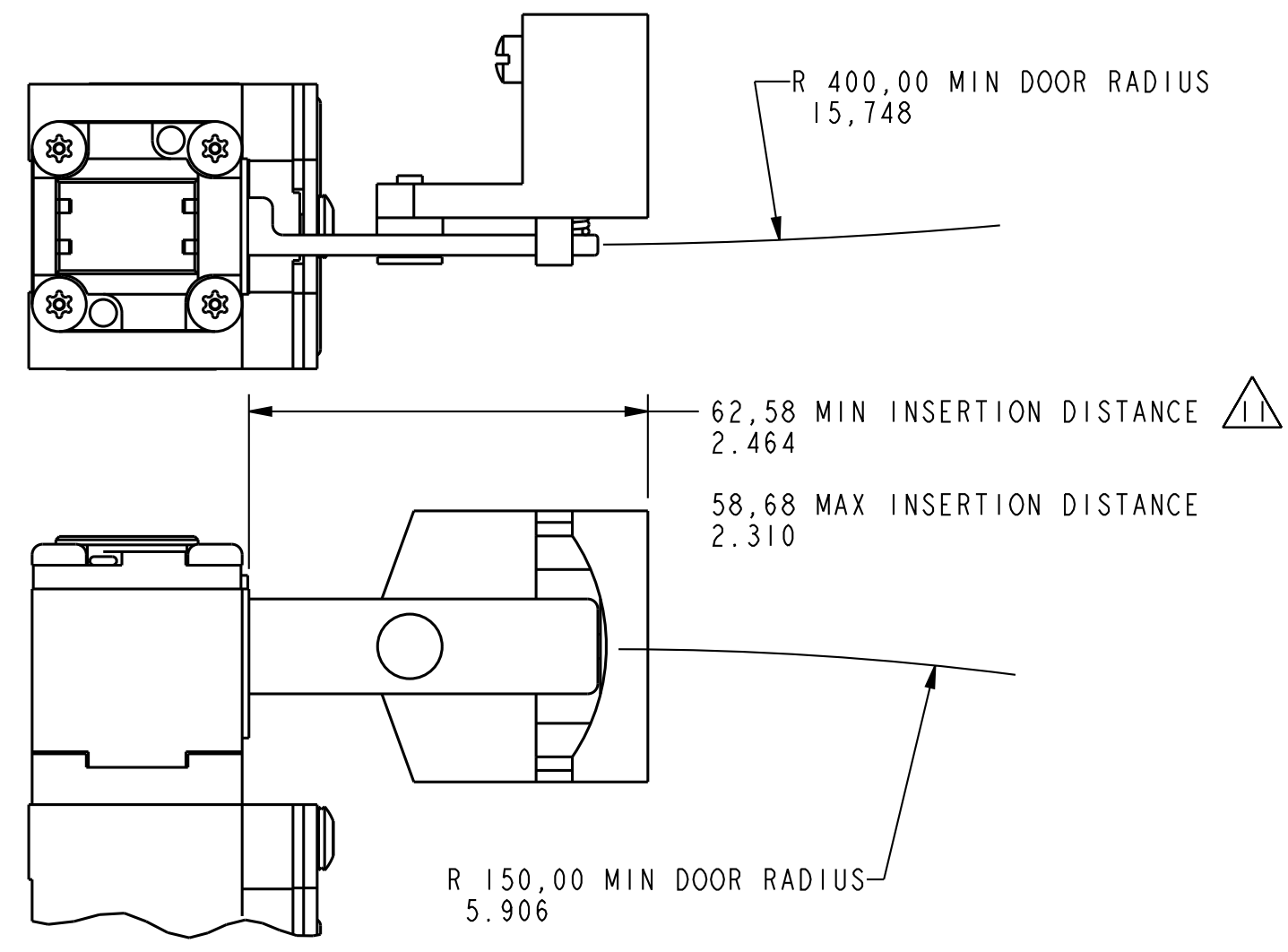
THIS DRAWING COVERS A PROPRIETARY ITEM AND IS THE PROPERTY OF MICRO SWITCH, A DIVISION OF HONEYWELL. THIS DRAWING IS NOT TO BE COPIED OR USED WITHOUT THE APPROVAL OF MICRO SWITCH.

MICRO SWITCH
a Honeywell Division

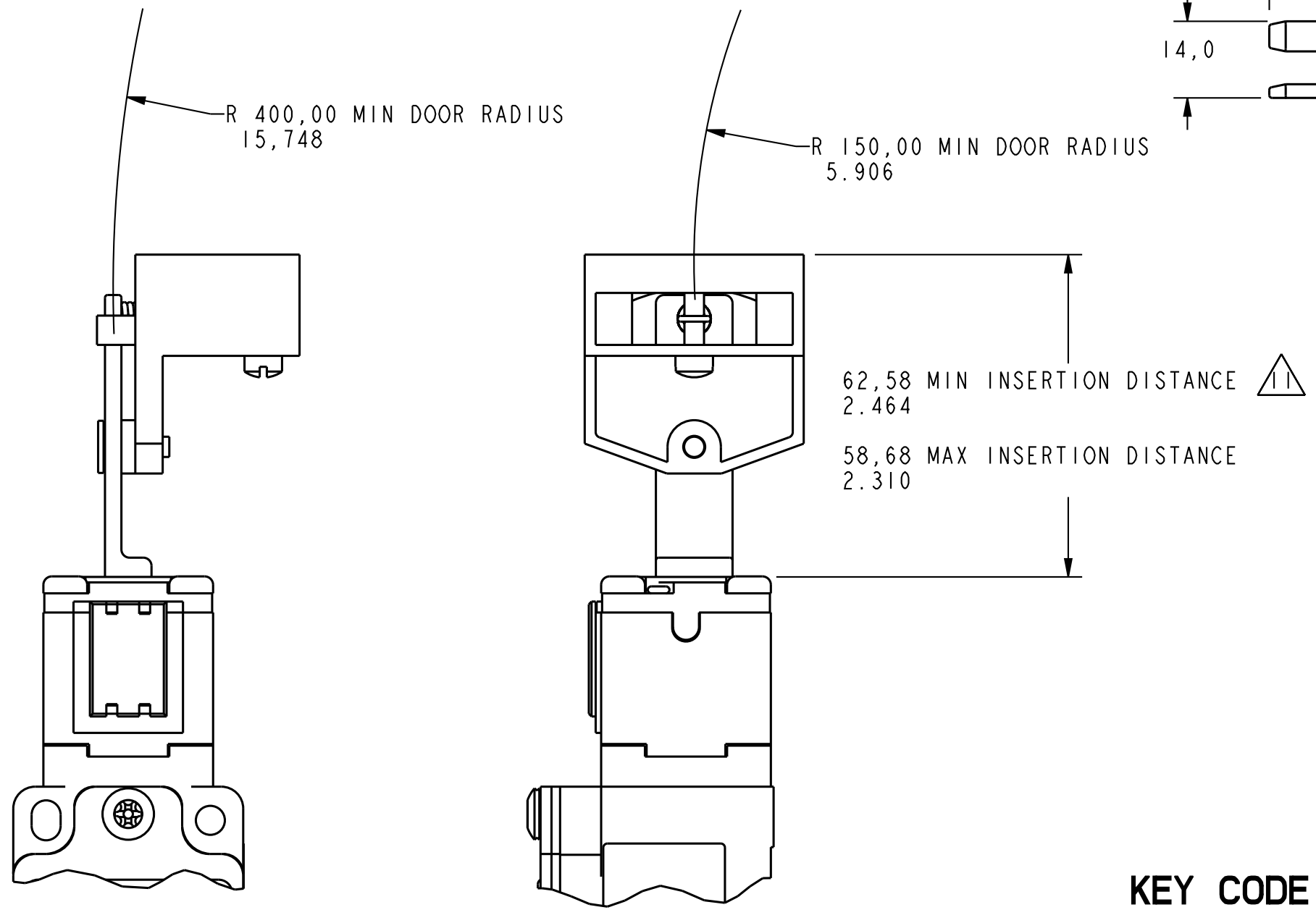
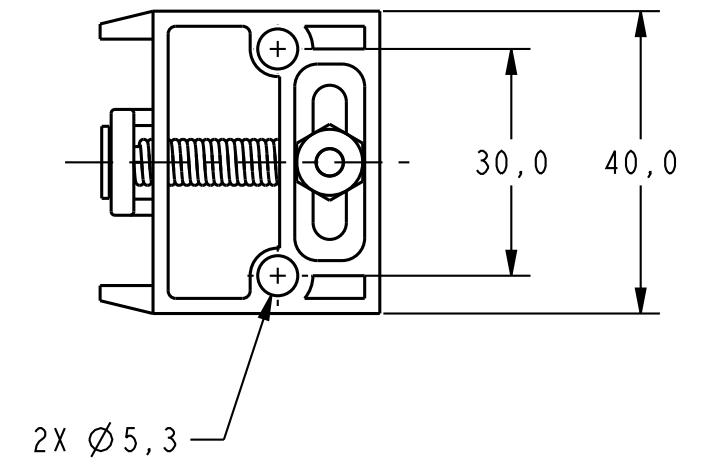
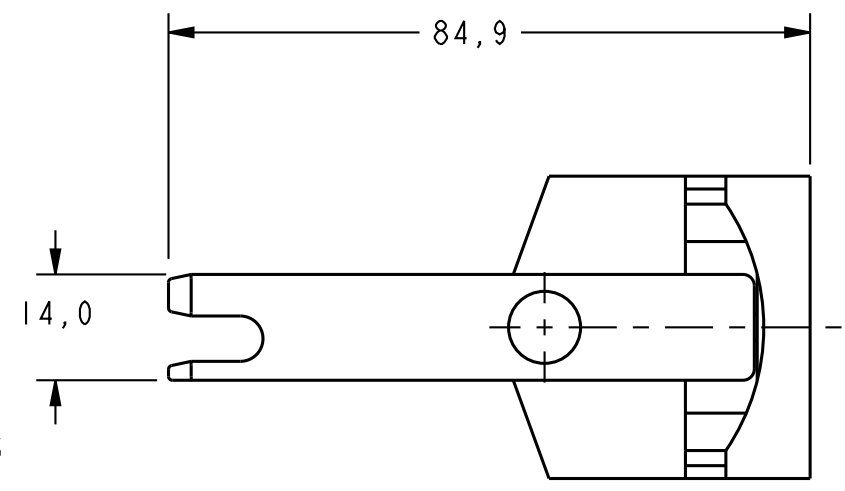
SWITCH - LIMIT

CATALOG LISTING
GK SERIES CHART 3

THIRD ANGLE PROJECTION		
SCALE FULL		
DO NOT SCALE PRINT		
UNLESS OTHERWISE SPECIFIED TOLERANCES ARE		
ONE PLACE	(.0)	± .030
TWO PLACES	(.00)	± .015
THREE PLACES	(.000)	± .005
ANGLES		±
WEIGHT APPROX .5 KG / 1 LB		



FRONT ENTRY



TOP ENTRY

KEY CODE 8

THIS DRAWING COVERS A PROPRIETARY ITEM AND IS THE PROPERTY OF MICRO SWITCH, A DIVISION OF HONEYWELL. THIS DRAWING IS NOT TO BE COPIED OR USED WITHOUT THE APPROVAL OF MICRO SWITCH.

MICRO SWITCH
a Honeywell Division

SWITCH - LIMIT

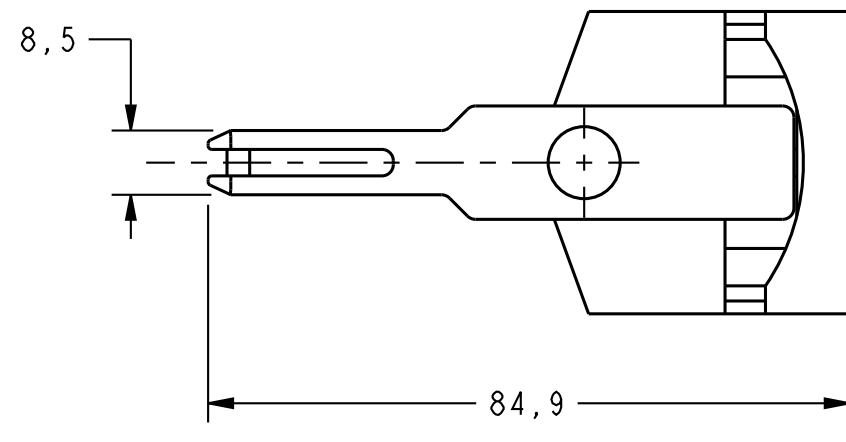
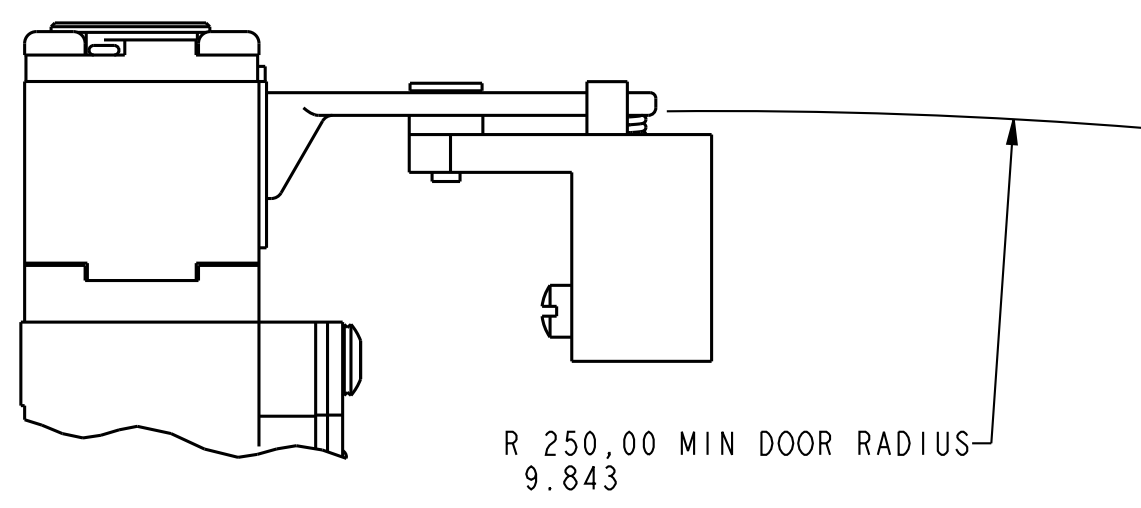
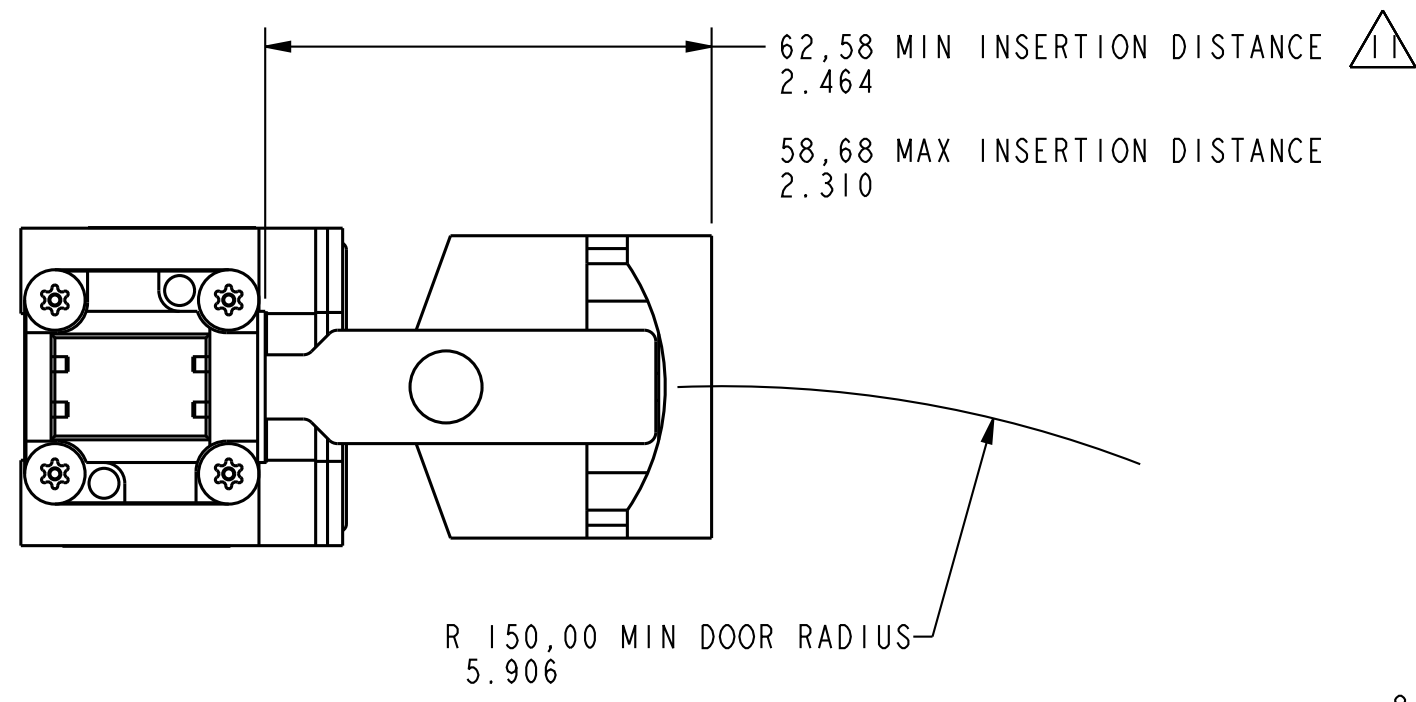
CATALOG LISTING
GK SERIES CHART 3

ANSI Y14.5M-1982 APPLIES

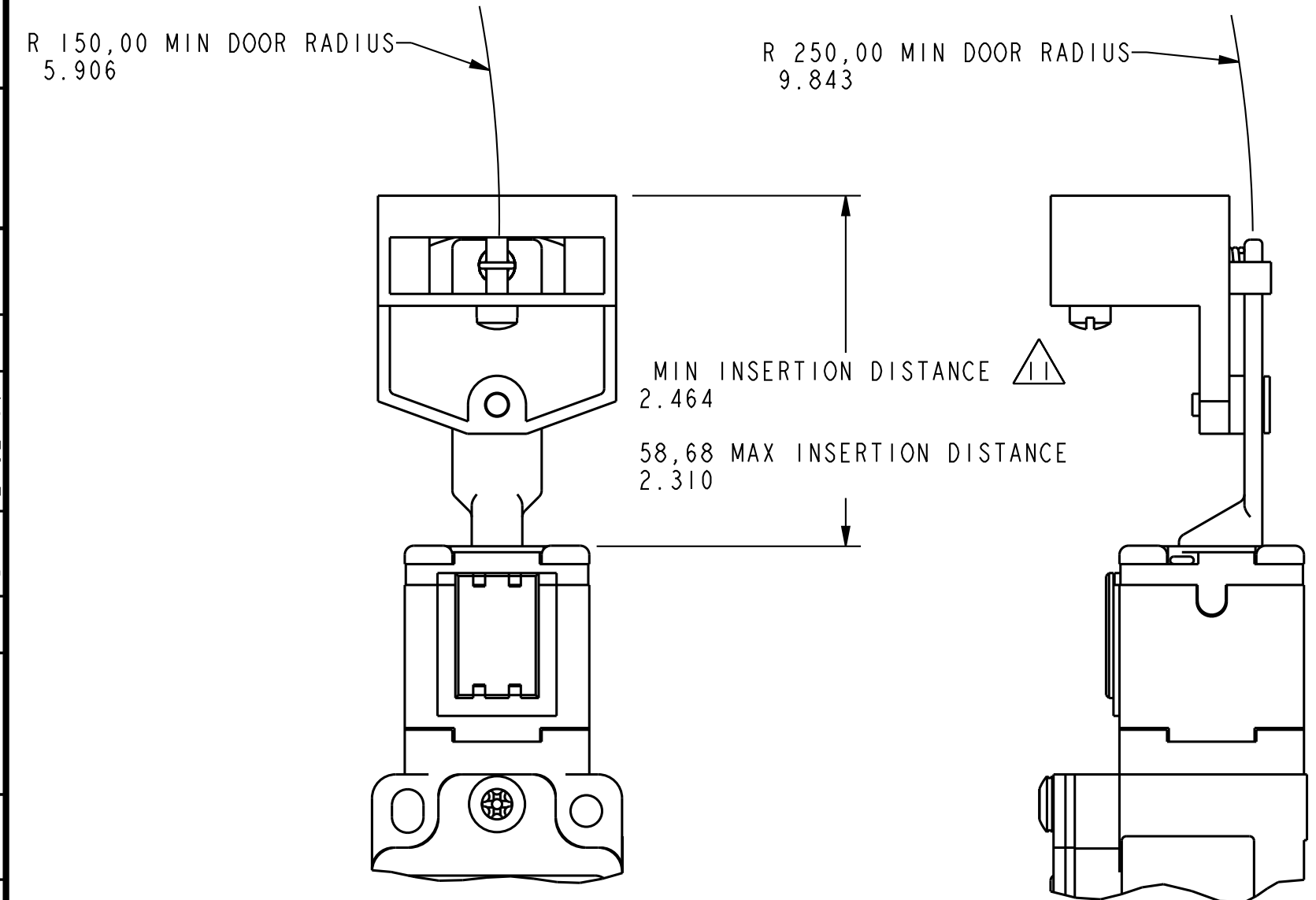
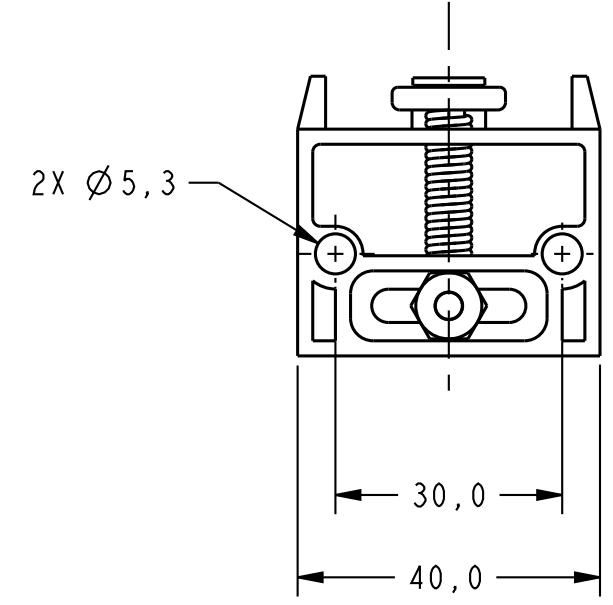
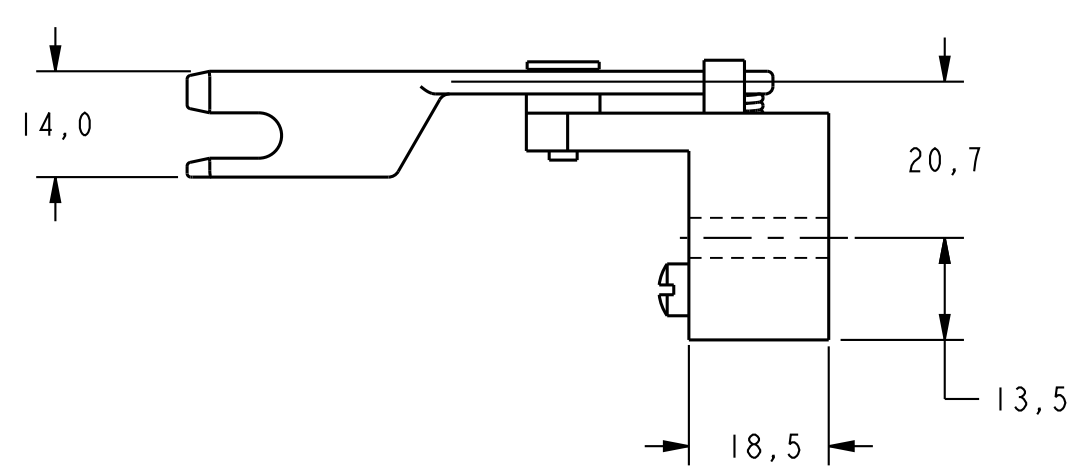
FED. MFG. CODE 91929

THIRD ANGLE PROJECTION		
SCALE FULL		
DO NOT SCALE PRINT		
UNLESS OTHERWISE SPECIFIED TOLERANCES ARE		
ONE PLACE	(.0)	±.030
TWO PLACES	(.00)	±.015
THREE PLACES	(.000)	±.005
ANGLES		±
WEIGHT APPROX .5 KG / 1 LB		

PTC/CAD 3D
DRAWN
MAM 1 SEP 98
CHECK
JAF
DVM
CHECK
12MAY99
DVM
CHECK
21SEP06
M
0094570
SER
12OCT12
ISSUE
3233
DRAWING NUMBER
CMH
12OCT12
CHECK
21SEP06
RELEASE NO. PR-23758
PAGE 5 OF 8
REPLACES



FRONT ENTRY



TOP ENTRY

KEY CODE 9

THIS DRAWING COVERS A PROPRIETARY ITEM AND IS THE PROPERTY OF MICRO SWITCH, A DIVISION OF HONEYWELL. THIS DRAWING IS NOT TO BE COPIED OR USED WITHOUT THE APPROVAL OF MICRO SWITCH.

MICRO SWITCH
a Honeywell Division

SWITCH - LIMIT

CATALOG LISTING

GK SERIES CHART 3

ANSI Y14.5M-1982 APPLIES

FED. MFG. CODE 91929

THIRD ANGLE PROJECTION		
SCALE FULL		
DO NOT SCALE PRINT		
UNLESS OTHERWISE SPECIFIED TOLERANCES ARE		
ONE PLACE	(.0)	± .030
TWO PLACES	(.00)	± .015
THREE PLACES	(.000)	± .005
ANGLES		±
WEIGHT APPROX .5 KG / 1 LB		

P.T.C./CAD 30
 DRAWN
 MAM
 1 SEP 98
 CHECK
 JAF
 1 SEP 98
 CHECK
 DVM
 21 SEP 06
 CHECK
 CMH
 12 OCT 12
 ISSUE
 3233
 DRAWING NUMBER
 12 OCT 12
 RELEASE NO. PR-23758
 PAGE 6 OF 8
 REPLACES

REVISIONS	
L	0083578
M	0094570

CATALOG LISTING GK SERIES CHART 3

PAGE 7 OF 8

ISSUE 33

REVISIONS

L	0083578	MBH	10NOV11
M	0094570	SBH	12OCT12

CMH

DVM

JAF

LJK

PTC/CAD 3D

DRAWN

11 NOV 99

11 NOV 99

11 NOV 99

11 NOV 99

11 NOV 99

11 NOV 99

11 NOV 99

11 NOV 99

11 NOV 99

11 NOV 99

11 NOV 99

11 NOV 99

11 NOV 99

11 NOV 99

11 NOV 99

11 NOV 99

11 NOV 99

11 NOV 99

11 NOV 99

11 NOV 99

11 NOV 99

11 NOV 99

11 NOV 99

11 NOV 99

11 NOV 99

11 NOV 99

11 NOV 99

11 NOV 99

11 NOV 99

REPLACES

RELEASE NO. PR-23758

12OCT12

CMH

21SEP06

21SEP06

21SEP06

21SEP06

21SEP06

21SEP06

21SEP06

21SEP06

21SEP06

21SEP06

21SEP06

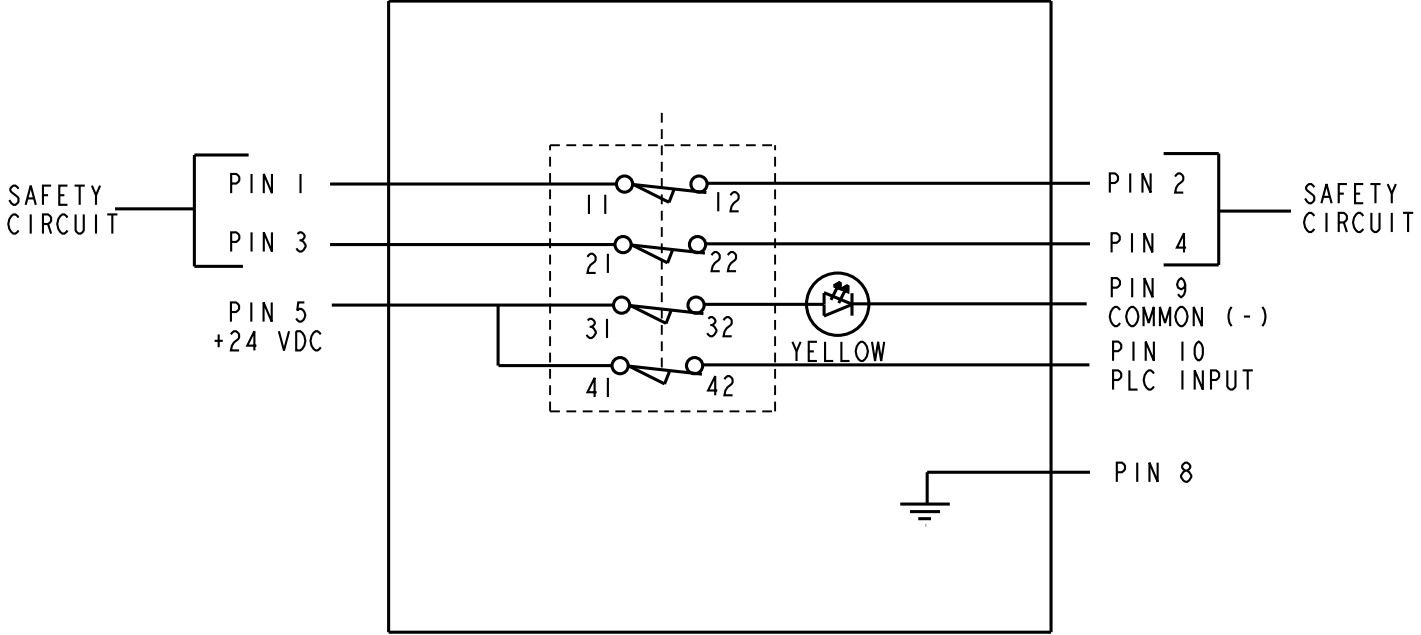
21SEP06

21SEP06

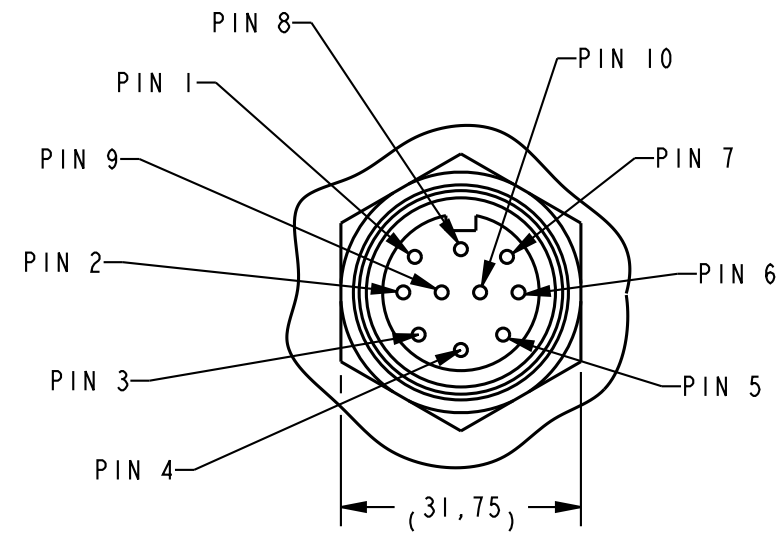
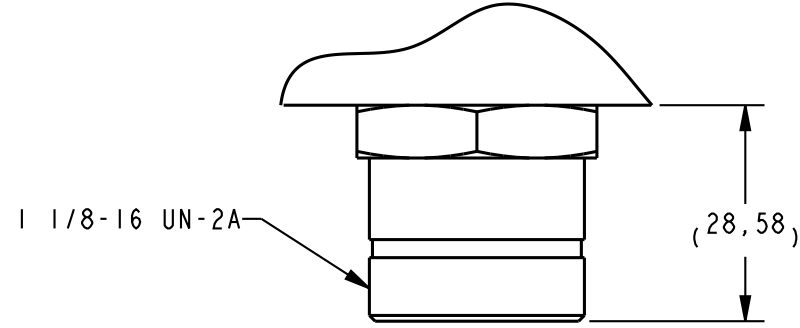
21SEP06

21SEP06

MODIFICATION CODE: F06



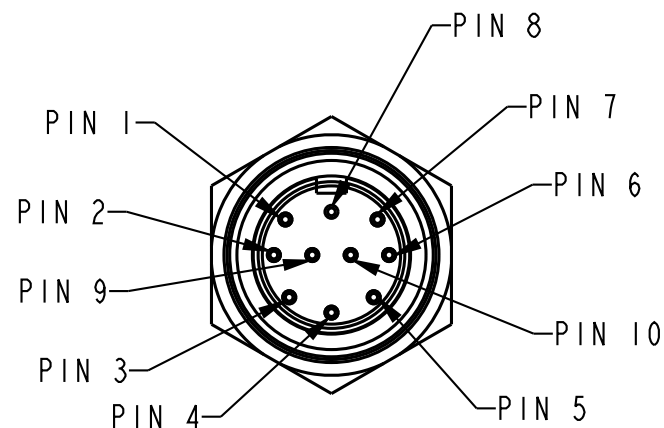
SWITCH DIAGRAM STATE SHOWN WITH KEY INSERTED



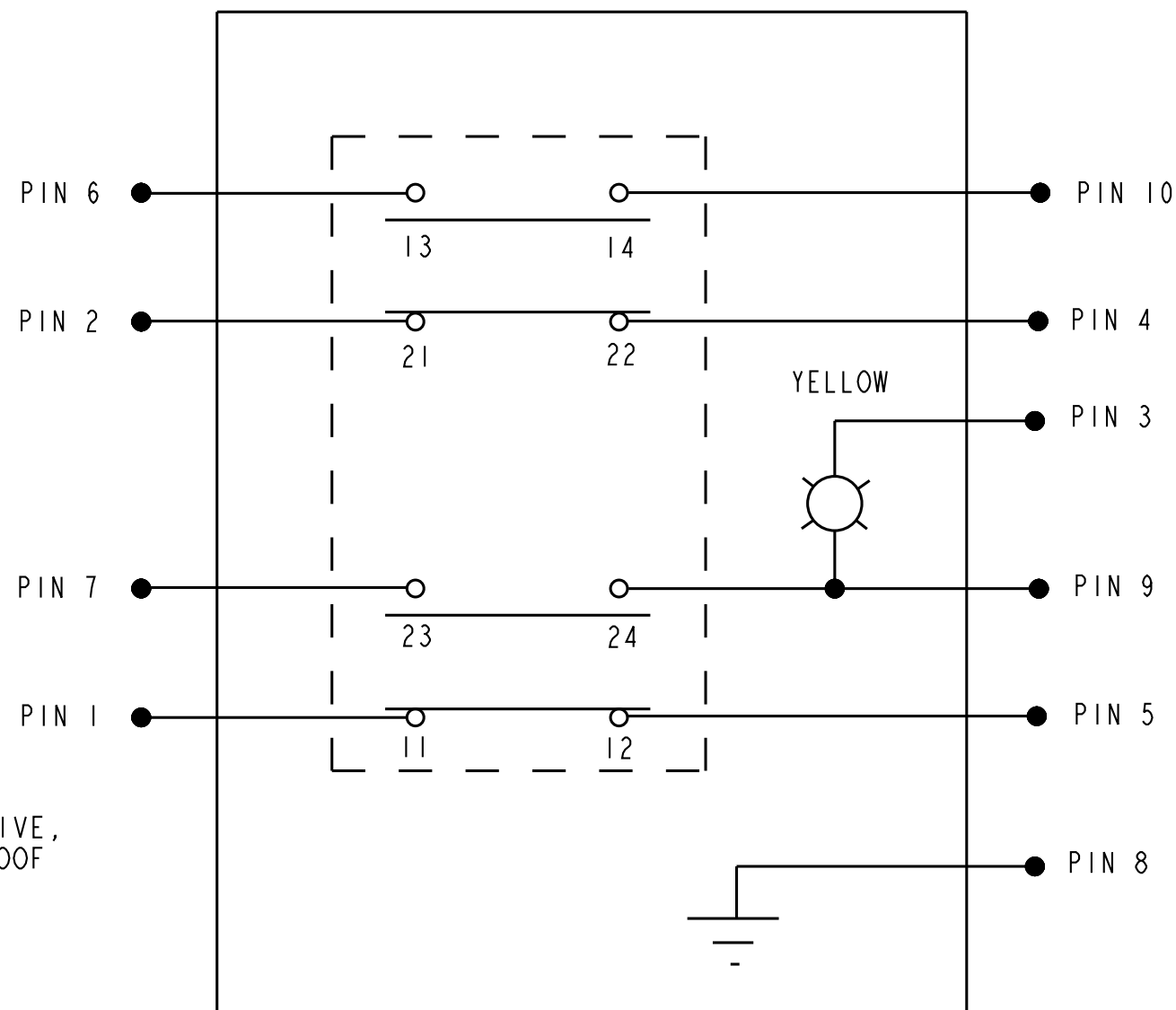
300V 2.5A
BRAD HARRISON PART NO. 47205-22
OR EQUIVALENT

THIRD ANGLE PROJECTION			
SCALE NONE			
DO NOT SCALE PRINT			
TOLERANCES			
APPLY TO DESIGN UNITS. CONVERSIONS ARE ONLY FOR REFERENCE. UNLESS NOTED, TOLERANCES ARE :			
	DIM.	TOL.	DIM. TOL.
	mm	mm/in	in mm/in
NO PLACES	X	1/.04	X.X 0.8/.03
ONE PLACE	X.X	0.4/.016	X.XX 0.38/.015
TWO PLACES	X.XX	0.15/.006	X.XXX 0.13/.005
THREE PLACES			
ANGLES			
DESIGN UNITS		SI METRIC	US CUSTOMARY
		<input checked="" type="checkbox"/>	<input type="checkbox"/>
WEIGHT APPROX .5KG / 1LB			

MODIFICATION CODE: FW




10-PIN CONNECTOR 

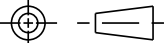


**BASIC SWITCH TO 10-PIN CONNECTOR
CIRCUIT DIAGRAM
DIAGRAM SHOWN WITH KEY INSERTED**

NOTES

- 1 - THE TWO COVER SCREWS ARE COMBINATION DRIVE, THE FOUR HEAD SCREWS ARE T-15 TAMPER PROOF TORX DRIVE (DRIVER BIT IS PROVIDED)
-  10-PIN CONNECTOR, BRAD HARRISON PART NO. 47205-22 OR EQUIVALENT

CATALOG LISTING **GK SERIES CHART 3** PAGE 8 OF 8
 ISSUE **33** CMH 12OCT12 RELEASE NO. PR-23758 REPLACES
 REVISIONS
 L 0083578 MBH 10NOV11
 M 0094570 SBH 12OCT12
 07 JAN 09 CHECK
 RS 18 JAN 00 CHECK
 SAV 18 JAN 00 CHECK
 GRT 18 JAN 00 CHECK
 PTC/CAD 3D DRAWN

THIRD ANGLE PROJECTION				
				
SCALE NONE				
DO NOT SCALE PRINT				
TOLERANCES				
APPLY TO DESIGN UNITS. CONVERSIONS ARE ONLY FOR REFERENCE. UNLESS NOTED, TOLERANCES ARE :				
	DIM.	TOL	DIM.	TOL
	mm	mm/in	in	mm/in
NO PLACES	X	1/.04	X.X	0.8/.03
ONE PLACE	X.X	0.4/.016	X.XX	0.38/.015
TWO PLACES	X.XX	0.15/.006	X.XXX	0.13/.005
THREE PLACES				
ANGLES				
SI METRIC		US CUSTOMARY		
DESIGN UNITS	<input checked="" type="checkbox"/>		<input type="checkbox"/>	
WEIGHT	0,4 KG / 1LB			

Mouser Electronics

Authorized Distributor

Click to View Pricing, Inventory, Delivery & Lifecycle Information:

[Honeywell:](#)

[GKDA14L7](#) [GKDD3M9](#) [GKCA34L7-FW](#) [GKCA14L9-FW](#) [GKCA14P6-FW](#) [GKCA34L6-FW](#)