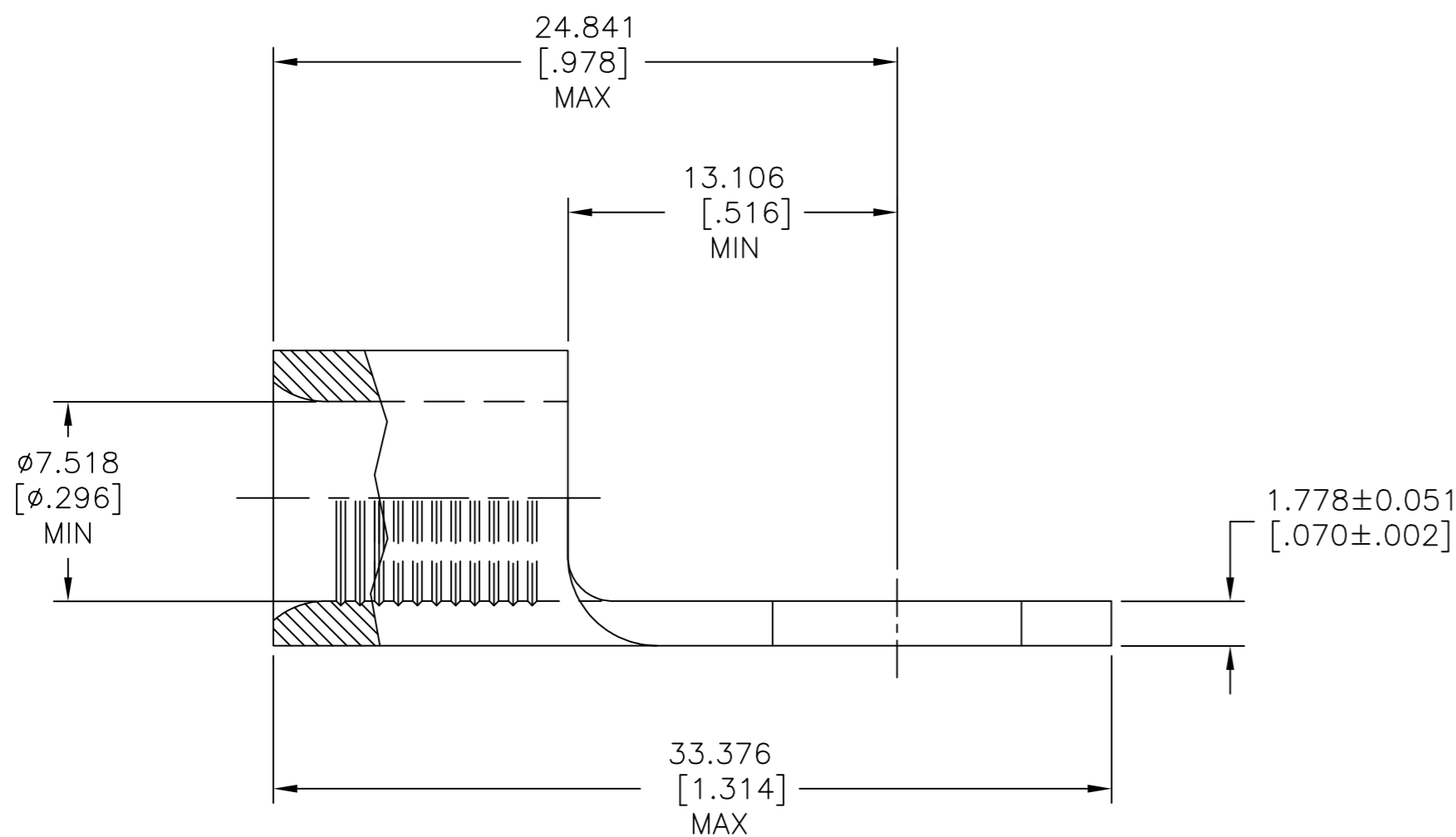
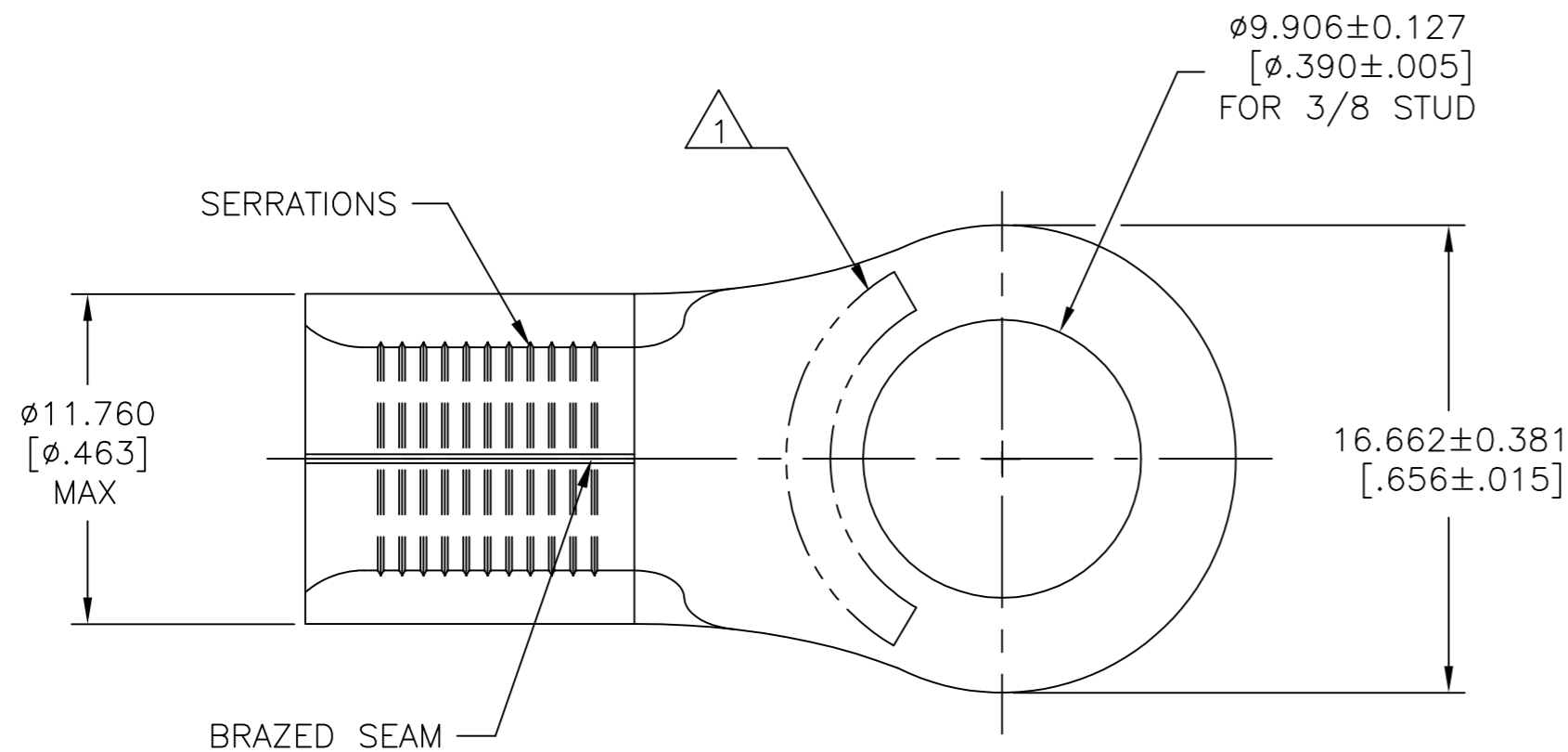


THIS DRAWING IS UNPUBLISHED. RELEASED FOR PUBLICATION
 © COPYRIGHT - By - ALL RIGHTS RESERVED.

REVISIONS					
P	LTR	DESCRIPTION	DATE	DWN	APVD
P2		REVISED PER ECO-11-004917	11MAR11	RK	HMR
P3		REVISED PER ECO-17-008808	09MAR2018	RS	DR



AMP WIRE RANGE	E13288 Listed
4 AWG SOLID OR STRANDED	4 AWG STRANDED
LR7189 Certified	MILITARY P/N AND CLASS
4 AWG SOLID OR STRANDED	NOT APPLICABLE

- 1 STAMP AMP 4* APPROX AS SHOWN
- 2 TIN PLATE 0.00254[.000100] MIN THK PER ASTM B545
- 3 NOTE DELETED

AMP INCORPORATED CUSTOMER SERVICE SYSTEMS

MAX RECOMMENDED OPERATING TEMPERATURE:
170° C [338°F] MAX

FOR ADDITIONAL PRODUCT INFORMATION OR COPIES OF DRAWINGS AND TECHNICAL DOCUMENTS

PRODUCT INFORMATION CENTER
1-800-522-6752

VOLTAGE RATING:
NOT APPLICABLE

FOR APPLICATION TOOLING INFORMATION

TOOLING ASSISTANCE CENTER
1-800-722-1111

WIRE CROSS SECTIONAL AREA RANGE:
16.8-26.7mm² [33,100-52,600] CIR MILS
SOLID OR STRANDED

FOR ORDER ENTRY

1-800-526-5142

THIS DRAWING IS A CONTROLLED DOCUMENT FOR AMP INCORPORATED. IT IS SUBJECT TO CHANGE AND THE CONTROLLING ENGINEERING ORGANIZATION

THIS DRAWING IS A CONTROLLED DOCUMENT.

DWN	TA BRINKMAN	3-29-93
CHK	DA PATTERSON	3-29-93
APVD	DE MILLER	3-29-93
PRODUCT SPEC	UL 486 A-B	
APPLICATION SPEC	-	

	100	LOOSE PIECE	33471
FINISH	QUANTITY	PACKAGING TYPE	PART NO

TE TE Connectivity Ltd.

NAME			
TERMINAL, RING TONGUE, SOLISTRAND™ 4 AWG			
SIZE	CAGE CODE	DRAWING NO	RESTRICTED TO
A2	00779	C=33471	-

DIMENSIONS: mm [INCHES]	TOLERANCES UNLESS OTHERWISE SPECIFIED:
	0 PLC ± -
	1 PLC ± -
	2 PLC ± -
	3 PLC ± 0.127[.005]
	4 PLC ± -
	ANGLES ± -
MATERIAL	FINISH
COPPER PER ASTM B-152 ANNEALED	SEE TABLE

WEIGHT	SCALE	SHEET	REV
CUSTOMER DRAWING	4:1	1 of 1	P3

Mouser Electronics

Authorized Distributor

Click to View Pricing, Inventory, Delivery & Lifecycle Information:

[TE Connectivity:](#)

[33470](#) [33471](#)