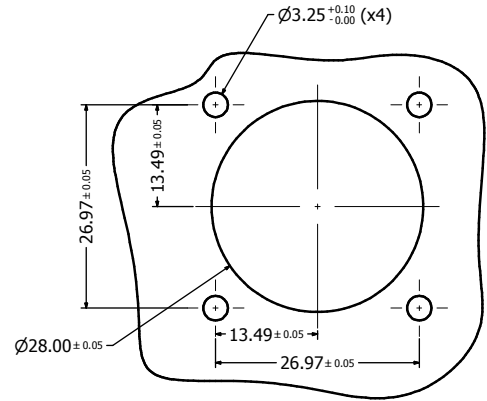
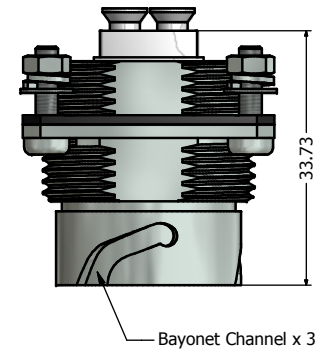


Recommended Double-D Panel Cutout

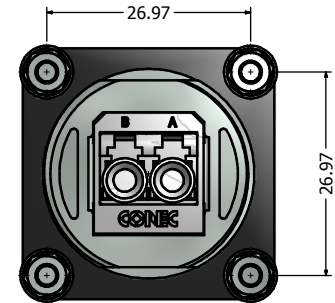
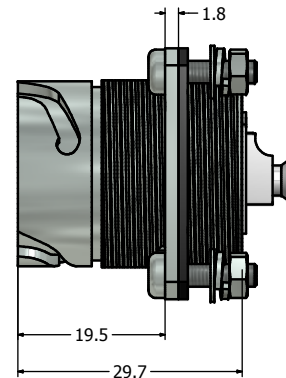
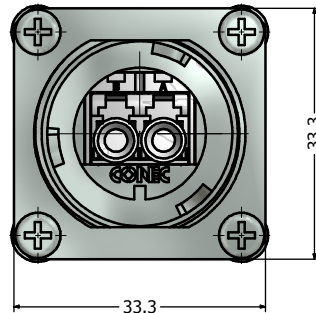


Recommended Round Panel Cutout



**Notes:**

- Material and Finish:
  - Receptacle Housing: Die-Cast, Nickel Plated
  - Panel Gasket: NBR, Color: Black
  - M3 Mounting Hardware: Stainless Steel includes 4 x (screw + nut + flat washer + spring lock washer)
  - Duplex LC Adaptor Assembly:
  - Housing: Mod. PPO, UL94 V-0, Color: **SM Blue/MM Beige/APC SM Green**
  - Alignment Sleeves: SM Ceramic/MM Phosphor Bronze
  - Dust Cap: PP, Color: Neutral transparent
  - Operating Temperature: -40°C to +85°C
- Connector can be front or rear mounted to a maximum panel thickness of 3.2mm.
- IP67 rated when covered or fully mated with the appropriate mating connector
- Hardware shipped unassembled



Directive 2002/95/EC RoHS Compliant

Description	Part Number
Single Mode (SM)	17-300670
Multi Mode (MM)	17-300680
APC Single Mode (APC SM)	17-300690

THIS DRAWING MAY NOT BE COPIED OR REPRODUCED IN ANY WAY AND MAY NOT BE PASSED ON TO A THIRD PARTY WITHOUT WRITTEN PERMISSION. OWNERSHIP AND COPYRIGHT OF CONEC CORPORATION.	Customer:		Tolerance Unless otherwise specified 0 PLC ± 0.30 1 PLC ± 0.20 2 PLC ± 0.10 3 PLC ± 0.05 ANGLES ± 1°		Scale:	Dim. in mm		
	Name	Title			Approval Date	Material: See Notes		
	2012	Date			Name	Title: IP67 Industrial Duplex LC Receptacle (with Flange) Assembly Kit		
	Draw.	Apr. 17			Vincent Ke	Nickel Plated Zinc Die-Cast Version		
	Appd.	Apr. 17	J. Chaudry	Norm	Drawing No.: 17K1A326			
				D-old	Part No.: SEE PART NUMBER TABLE			
					DIN A3			
					Sheet 1/1			
Rev. Changes Date Name								

# Mouser Electronics

Authorized Distributor

Click to View Pricing, Inventory, Delivery & Lifecycle Information:

[CONEC:](#)

[17-300670](#) [17-300680](#) [17-300460](#)