



5.0 x 5.0 x 1.35 mm

AFS303.825E

RoHS/RoHS II Compliant

Moisture Sensitivity Level – MSL 1

FEATURES:

- Low Insertion Loss 3.0dB typical
- Compact SMD package 5.0 x 5.0 x 1.35mm
- Suitable for RoHS compliant reflow

APPLICATIONS:

- Automotive Electronics/Remote Control

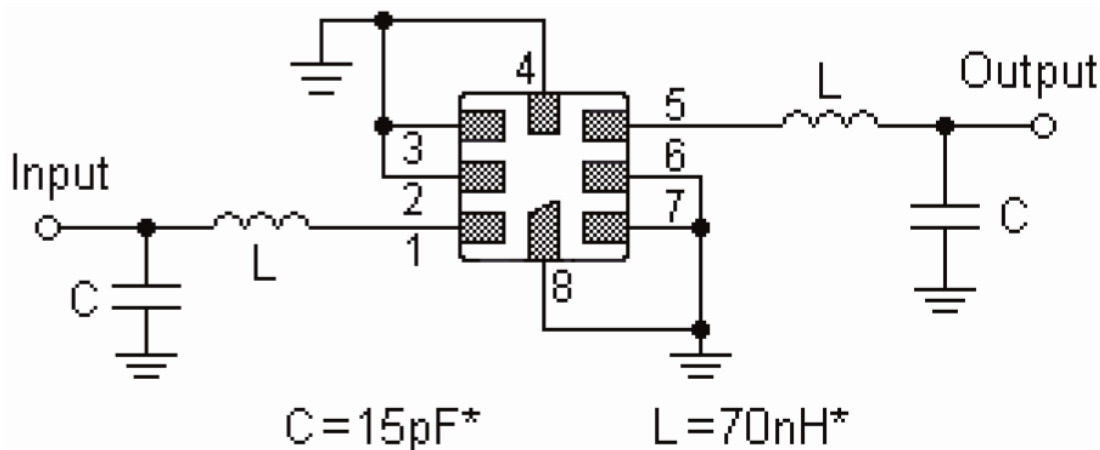
STANDARD SPECIFICATIONS:

Maximum Ratings

Item	Value
Operating Temperature Range	-10°C to + 60°C
Storage Temperature Range	-40°C to + 85°C
DC Voltage	12V
Input Power Level	10dBm

Parameters	Minimum	Typical	Maximum	Units	Notes
Center Frequency (f_c)		303.825		MHz	
3dB Pass Band (BW_3)		600	900	kHz	
Insertion Loss (IL)		3.0	4.5	dB	
Rejection	40	50		dB	at 282.425 MHz (Image)
	20	30			at 293.125 (LO)
		60			Ultimate
Temperature	Turnover Temperature (T_o)	25		55	°C
	Turnover Frequency (f_o)		303.825		MHz
	Frequency Temperature Coefficient (FTC)		0.032		ppm/°C ²
Frequency Aging fA		10		ppm/yr	Absolute value during the first year

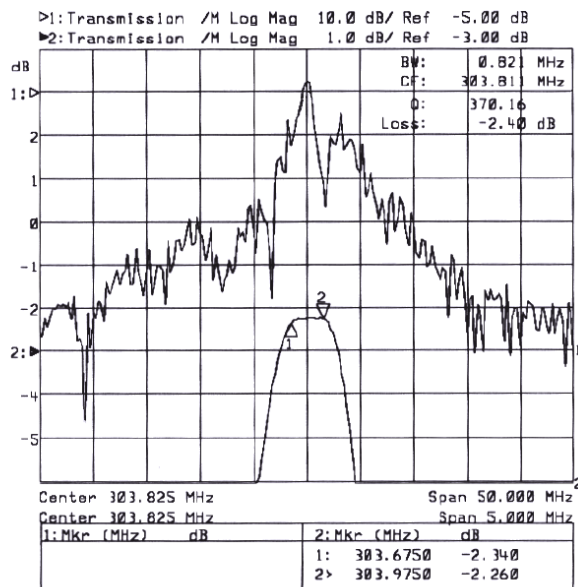
TEST CIRCUIT:



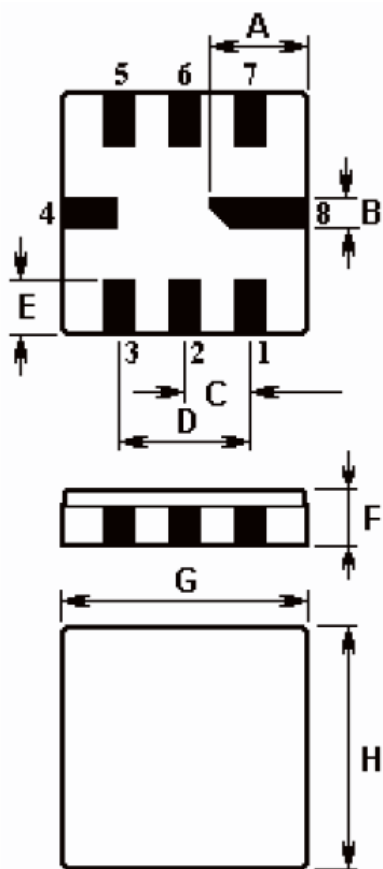


5.0 x 5.0 x 1.35 mm

FREQUENCY CHARACTERISTICS



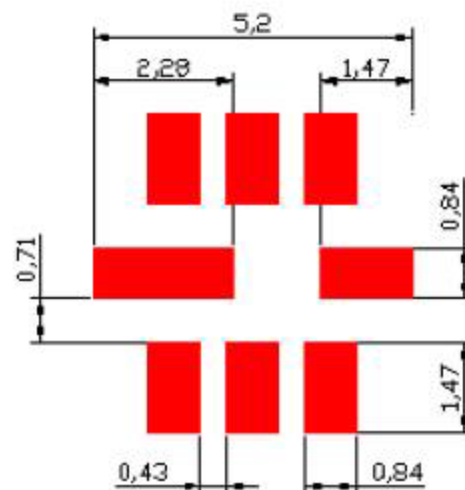
OUTLINE DIMENSION:



A	2.08
B	0.60
C	1.27
D	2.54
E	1.20
F	1.35
G	5.00
H	5.00

1	Input
2	Input Ground
5	Output
6	Output Ground
3, 7	to be Grounded
4, 8	Case Ground

Recommended PCB Layout

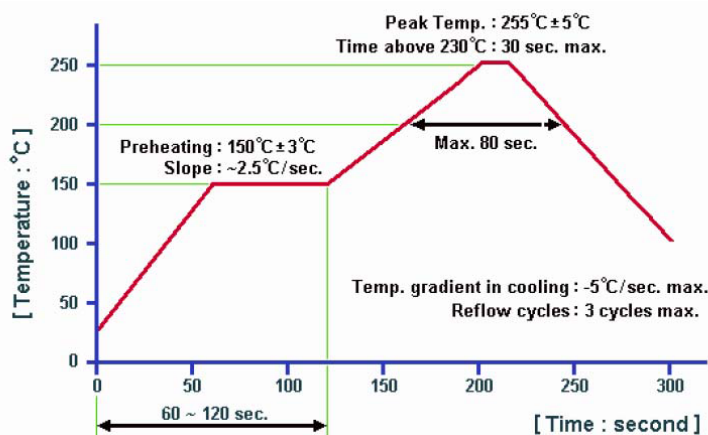


Dimensions: mm



5.0 x 5.0 x 1.35 mm

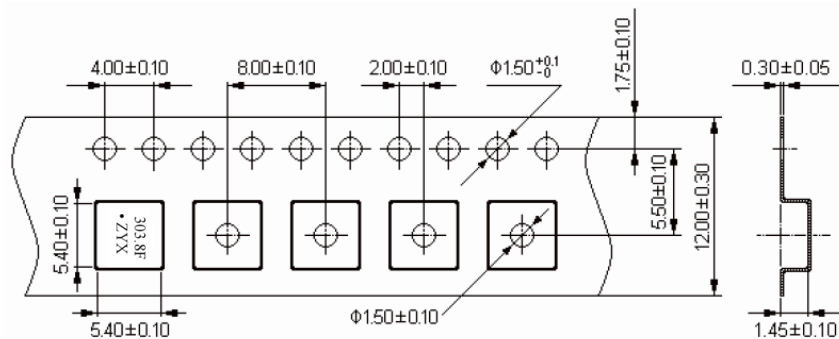
REFLOW PROFILE:



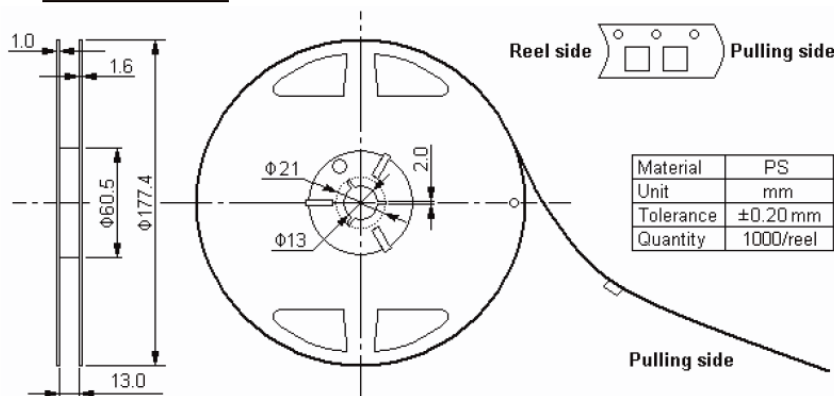
TAPE & REEL:

Packaging: 1,000pcs/reel

Carrier Tape



Reel Dimensions



Dimensions: mm

ATTENTION: Abracon Corporation's products are COTS – Commercial-Off-The-Shelf products; suitable for Commercial, Industrial and, where designated, Automotive Applications. Abracon's products are not specifically designed for Military, Aviation, Aerospace, Life-dependant Medical applications or any application requiring high reliability where component failure could result in loss of life and/or property. For applications requiring high reliability and/or presenting an extreme operating environment, written consent and authorization from Abracon Corporation is required. Please contact Abracon Corporation for more information.

Mouser Electronics

Authorized Distributor

Click to View Pricing, Inventory, Delivery & Lifecycle Information:

[ABRACON:](#)

[AFS303.825E](#)