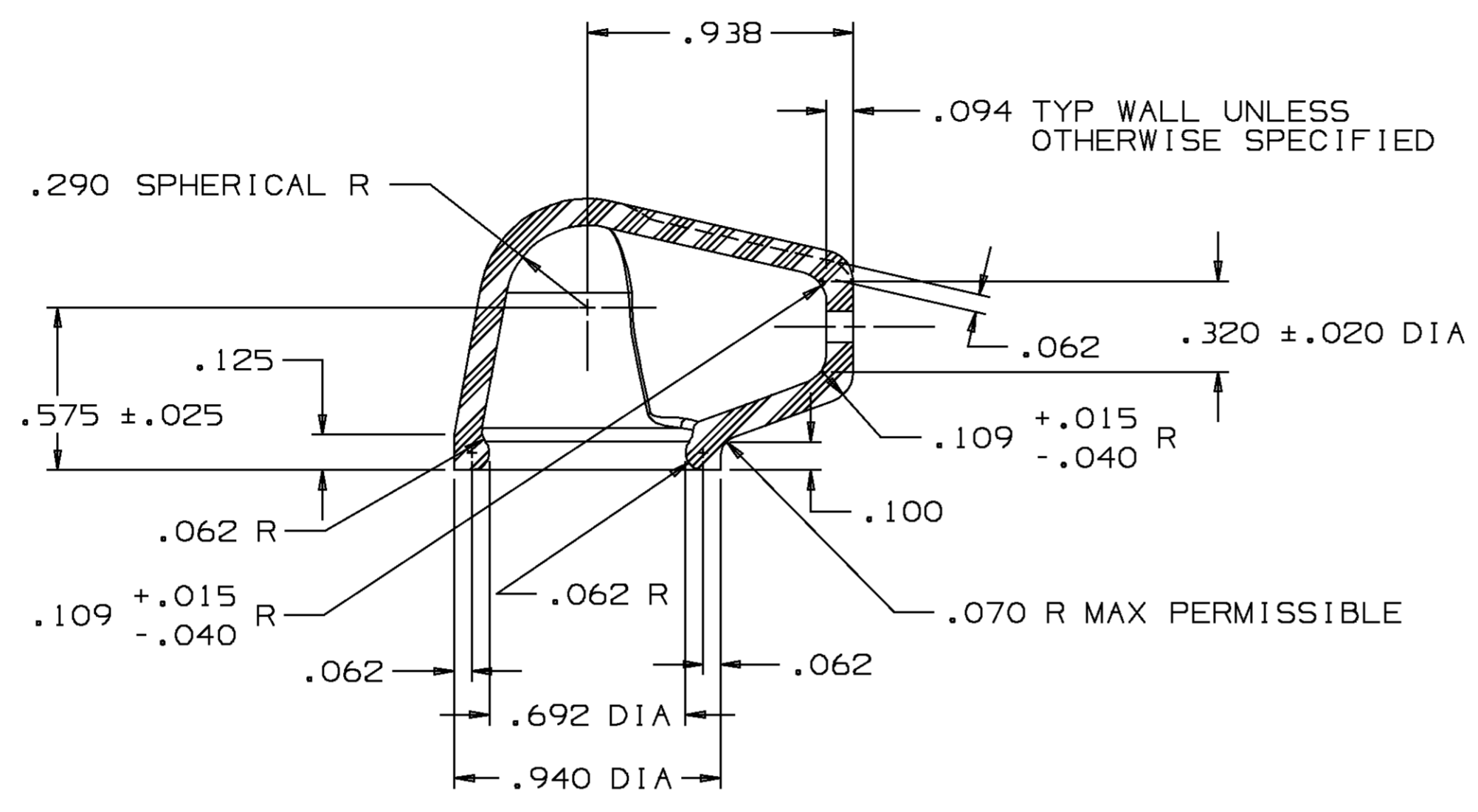
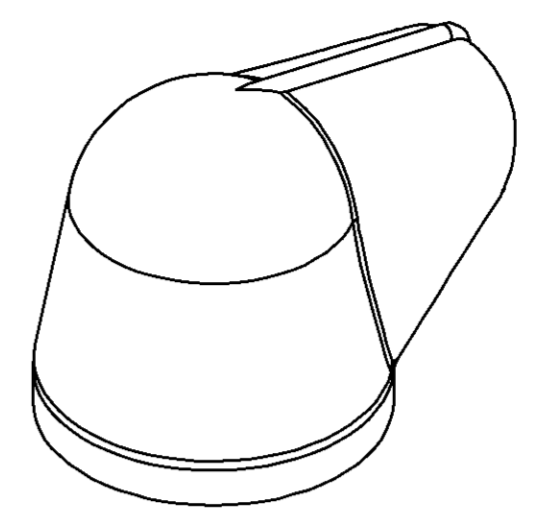
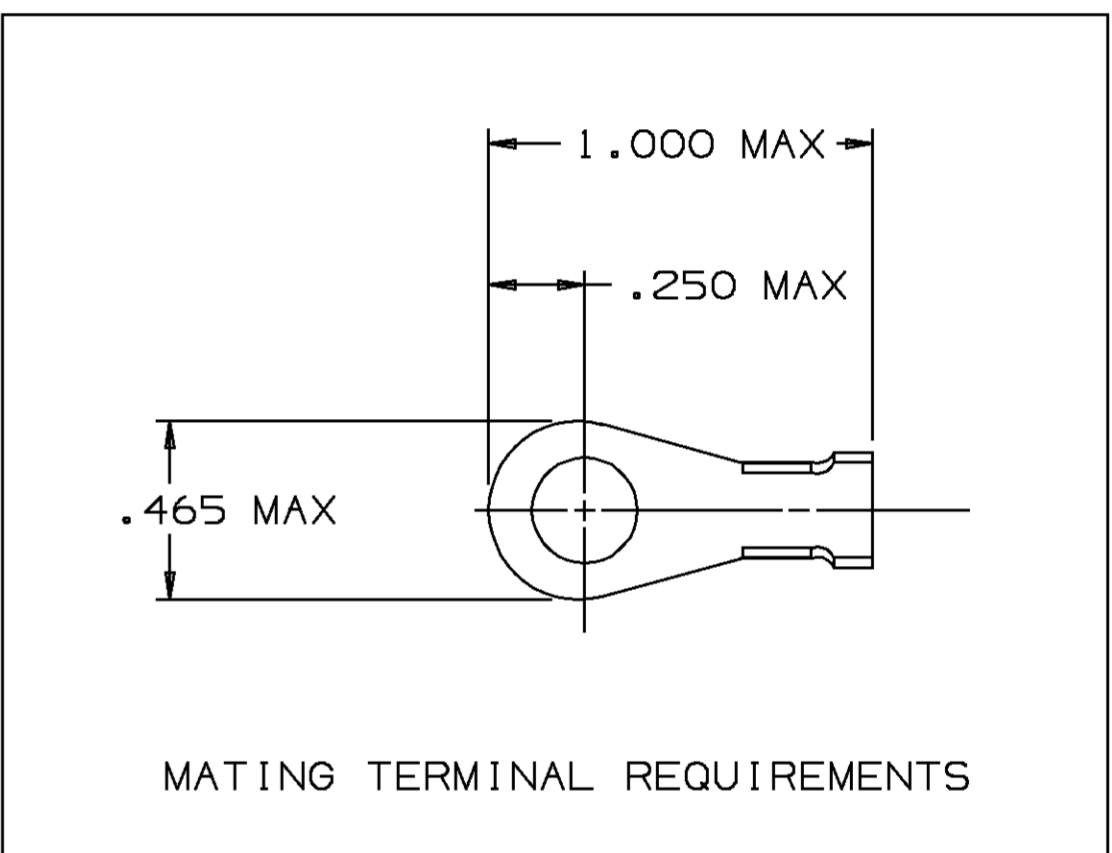


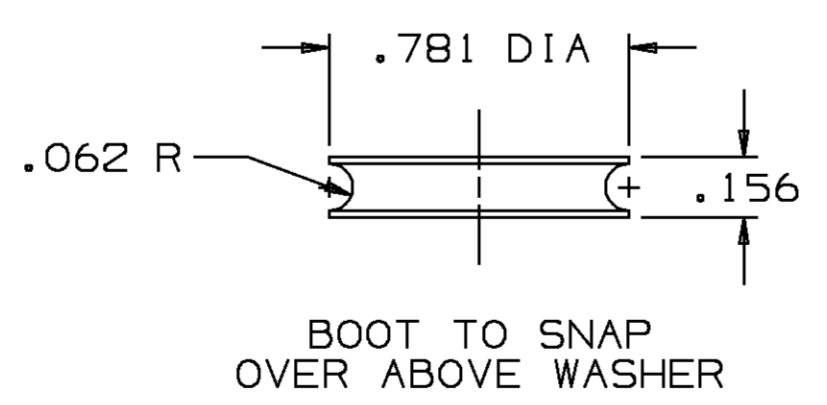
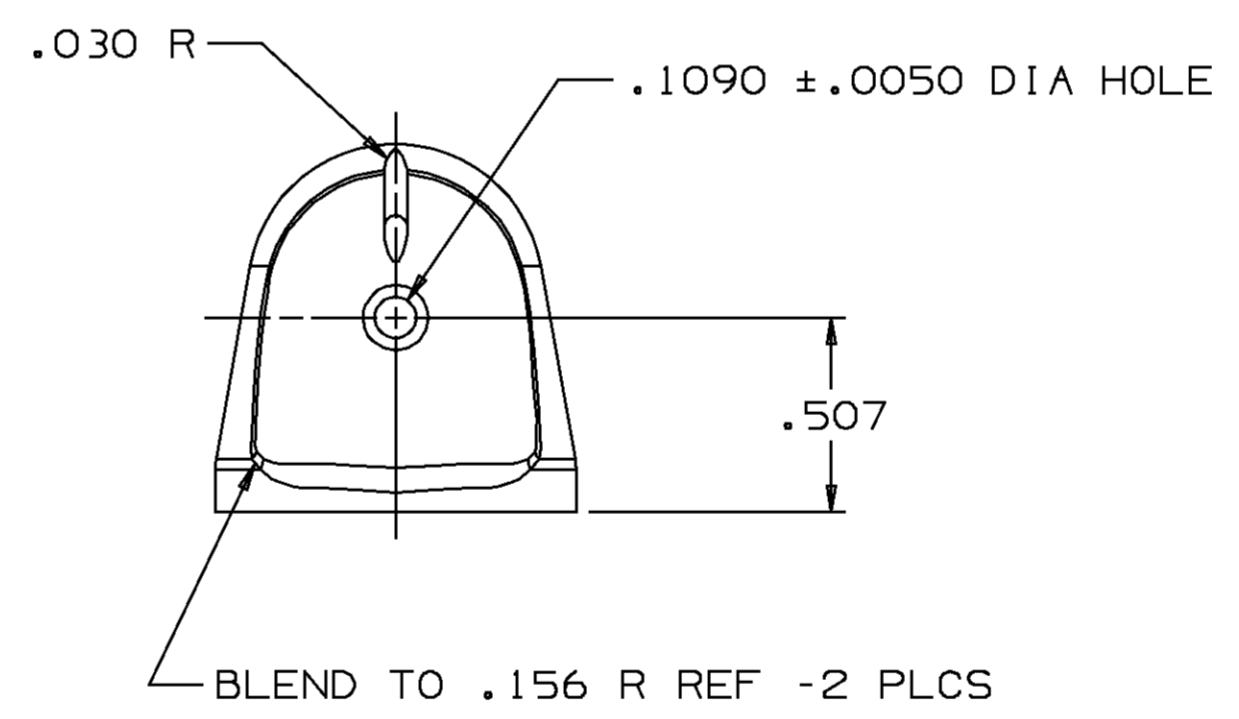
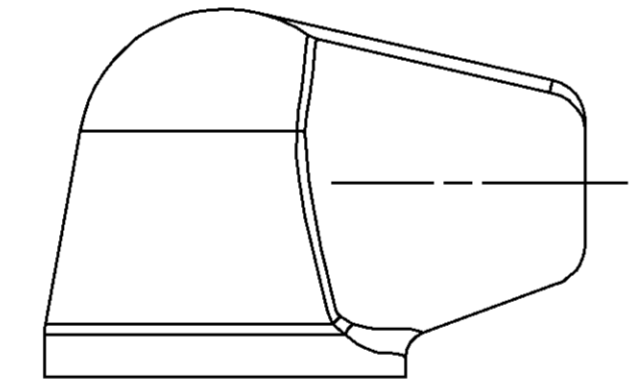
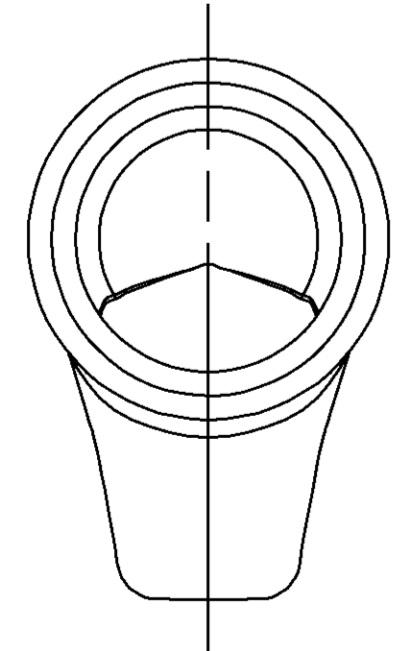
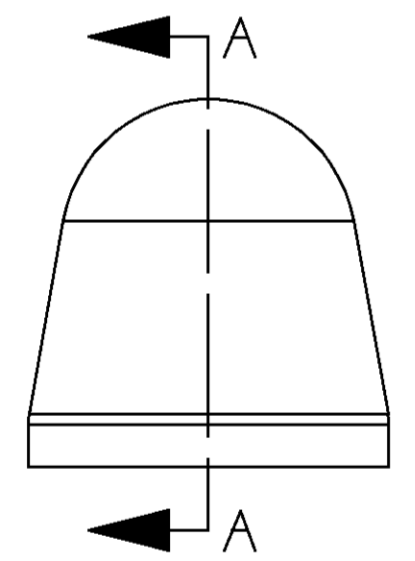
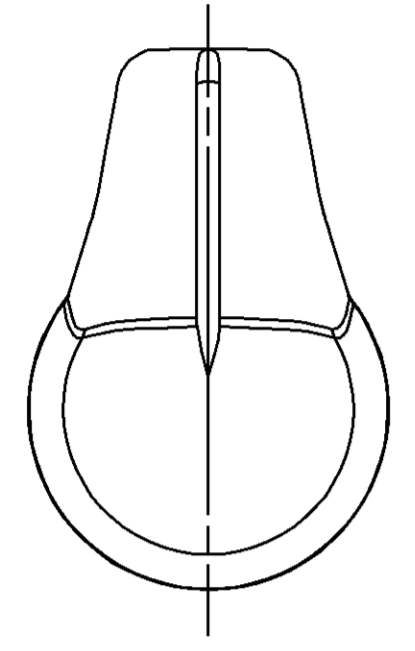
DATE	SYM	REVISION RECORD	AUTH	DR	CK
14MR94	M2	REDRAWN TO UG AND MATING			
		TERMINAL INFO ADDED	159294	PYP	BAS
16MY96	M3	REVISED MAETRIAL SPEC &			
		ADDED NOTE #2	172574	RPO	PO



SECTION A - A



MATING TERMINAL REQUIREMENTS



BOOT TO SNAP OVER ABOVE WASHER

PART NO 0298 4033

- NOTES — 1. UNLESS OTHERWISE SPECIFIED AND/OR INDICATED: DIMENSIONS ARE TO FACE OF VIEW SHOWN AND AUTOMATICALLY ROUNDED BY COMPUTER FOR INSPECTION. (SEE MATH MODEL FOR PRECISE DIMENSION.) ALL RADII .030
- ③ 2. MATERIAL: ASTM D-2000 MIBC512, Z1, Z2, Z3  
 Z1: TENSILE STRENGTH TO BE 124 MPa MIN  
 Z2: ULTIMATE ELONGATION TO BE 550% MIN  
 Z3: SHORE A DUROMETER (10 SECOND READING) TO BE 55±5

Utigraphics II		ENGLISH	
THIRD ANGLE PROJECTION		DIMENSIONS ARE IN INCHES UNLESS OTHERWISE SPECIFIED	
CODE NO 6900 6901	QC -C-4009 -R-4015	TOLERANCE UNLESS OTHERWISE SPECIFIED DECIMAL: ANGULAR:± TWO PLACE ± THREE PLACE ± .015	DES
DWG DATE 10AP62	DR J.R. LUBERT	SCALE 2:1	CK P. GHIRARDI 04MY67
REFERENCE NO	APPR J.R. LUBERT 04MY67	VOL CM <sup>3</sup> 4.437	
MATERIAL SPEC SEE NOTES			
NAME BOOT RING TERMINAL			
PART NUMBER 0298 4033			SIZE A1

# Mouser Electronics

Authorized Distributor

Click to View Pricing, Inventory, Delivery & Lifecycle Information:

[Aptiv:](#)

[02984033](#) [02984033-B](#)