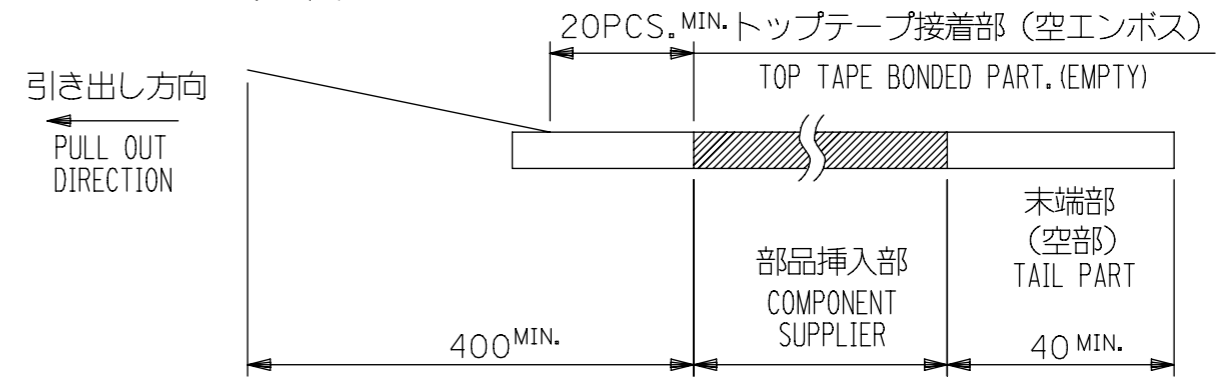


NOTES

- 製品詳細寸法については製品単体図面を参照下さい。
RE DETAILED DIMENSION, SEE PRODUCT DRAWING.
- 梱包数量：2500個/リール
NUMBER OF CONNECTORS : 2500PCS/REEL
- リードテープ長さ LEAD TAPE LENGTH



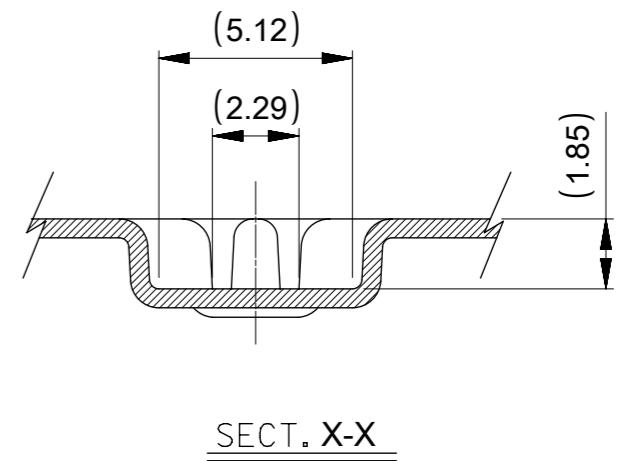
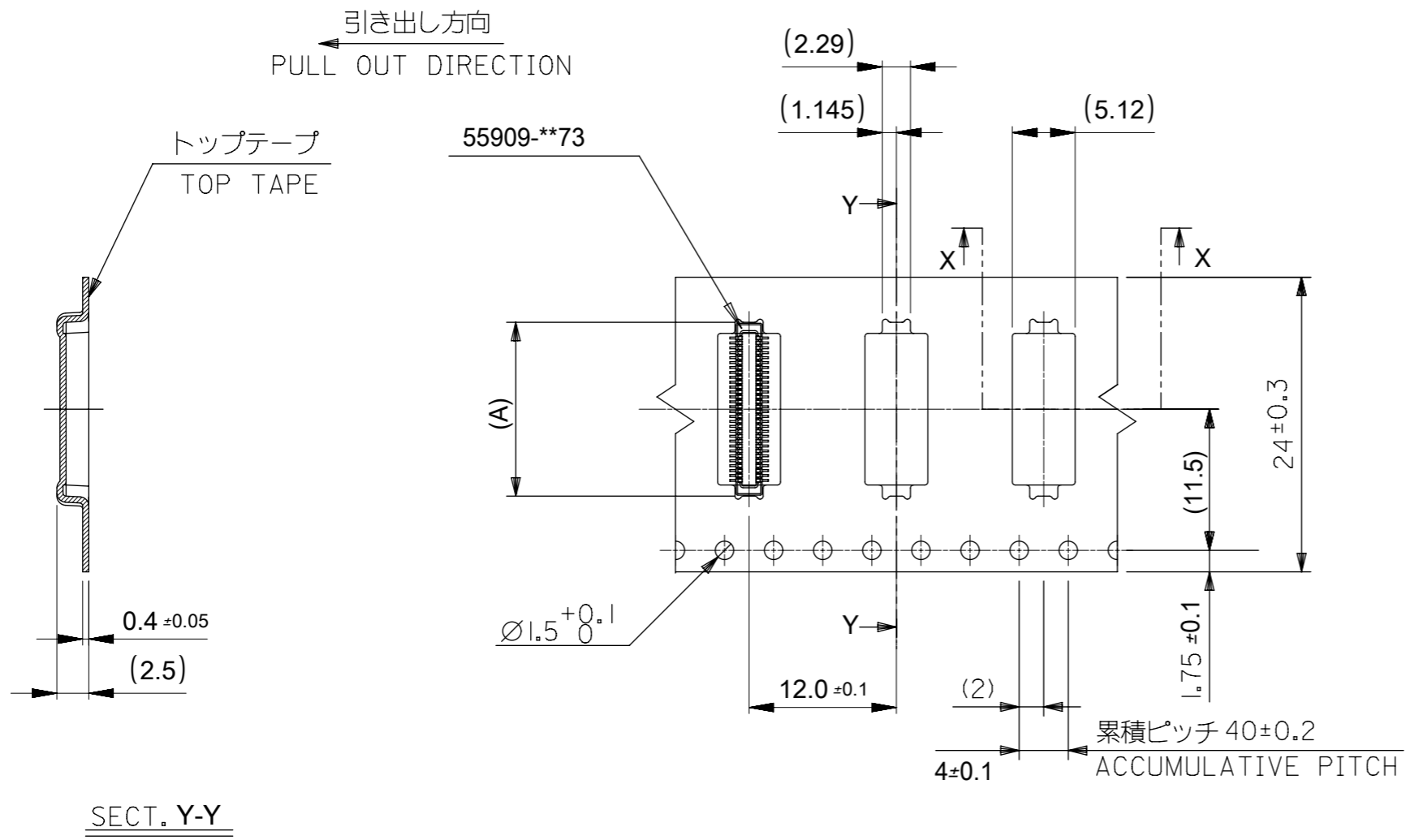
- 材料 MATERIAL
キャリアテープ (CARRIER TAPE) : POLYSTYRENE
トップテープ (TOPTAPE) : PET , PE , PEF
リール (REEL) : ポリスチレン (P S) <リサイクル材を含む>
POLYSTYRENE (PS) <RECYCLE MATERIAL CONTAINED>

- ELV 及び RoHS 適合品。
ELV AND RoHS COMPLIANT.

6. THIS DRAWING IS RE-DRAWING OF SD-55909-004 REV.J

CONNECTOR SERIES No. 55909-**73

QUALITY SYMBOLS ▽A = 0 ▽E = 0 ▽F = 0 ▼ = 0 ▽C = 0 ⊠ = 0 ■ = 0 ▽ = 0	THIS DRAWING CONTAINS INFORMATION THAT IS PROPRIETARY TO MOLEX ELECTRONIC TECHNOLOGIES, LLC AND SHOULD NOT BE USED WITHOUT WRITTEN PERMISSION		DIMENSION UNITS mm	SCALE 1:1				
	EC NO: 605528 DRWN: JHCHANG CHK'D: KSKIM APPR: YSKIM02	2018/10/08 2018/10/08 2018/10/09	GENERAL TOLERANCES (UNLESS SPECIFIED) ANGULAR TOL ± 1.0 °	DRWN BY JHCHANG		DATE 2017/11/13	0.4B/B CONN PLUG ASSY(H=1.5) EMBSTP PKG	
	4 PLACES ± 0.1 3 PLACES ± 0.1 2 PLACES ± 0.1 1 PLACE ± 0.1 0 PLACES ± 0.1		CHK'D BY KSKIM	DATE 2018/10/08				
	DRAFT WHERE APPLICABLE MUST REMAIN WITHIN DIMENSIONS		APPR BY YSKIM02	DATE 2018/10/09				
	A3		DIMENSION UNITS A3	SCALE THIRD ANGLE PROJECTION	PRODUCT CUSTOMER DRAWING			
	EC NO: 605528 DRWN: JHCHANG CHK'D: KSKIM APPR: YSKIM02		DIMENSION UNITS A3	SCALE THIRD ANGLE PROJECTION	SERIES 55909	MATERIAL NUMBER SEE CHART	CUSTOMER GENERAL	
	EC NO: 605528 DRWN: JHCHANG CHK'D: KSKIM APPR: YSKIM02		DIMENSION UNITS A3	SCALE THIRD ANGLE PROJECTION	DOCUMENT NUMBER 559090074	DOC TYPE PSD	DOC PART 000	SHEET NUMBER 1 OF 5

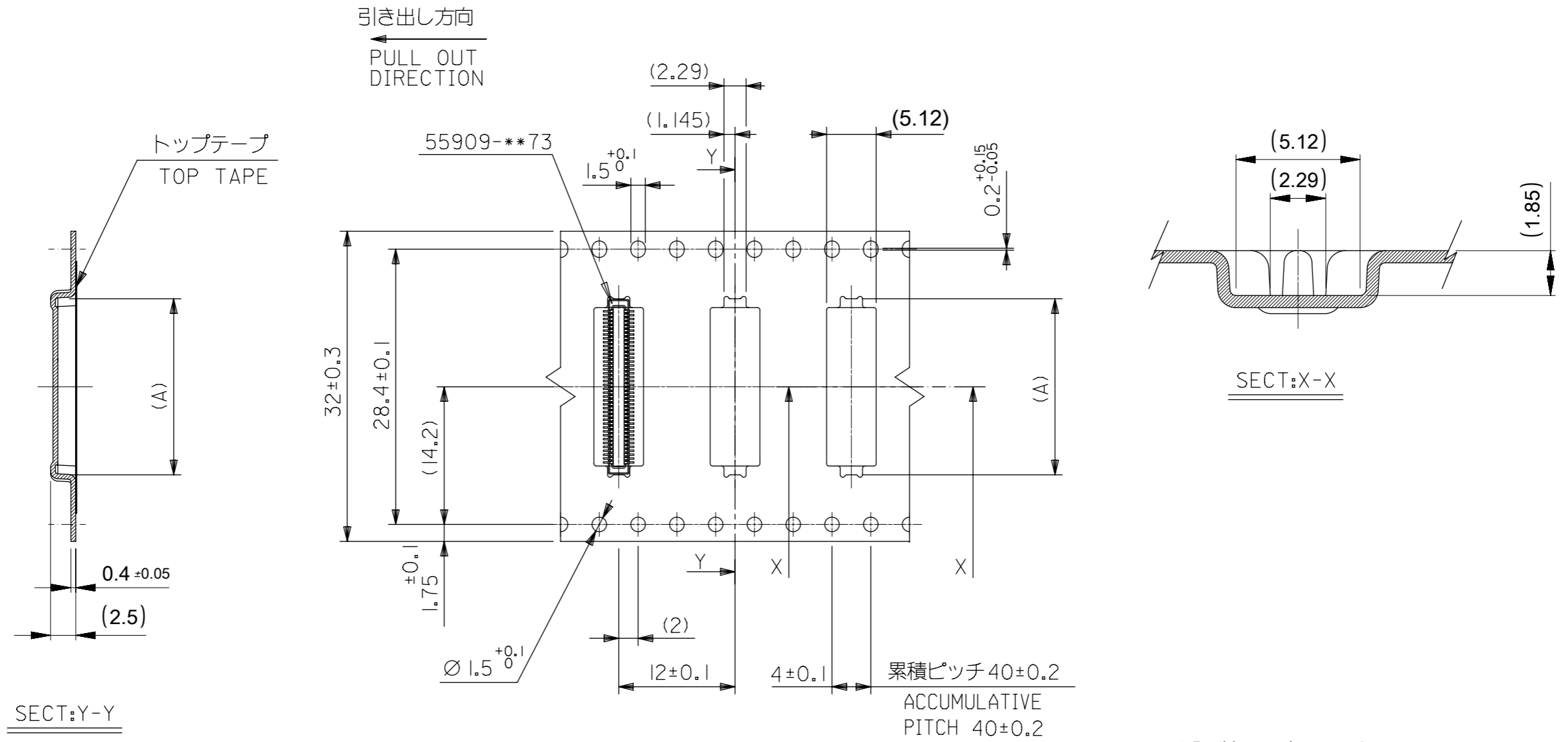


注記)製品がポケット内に問題なく収まること。
NOTE. Pocket should contain product smoothly.

24	29.4	25.4	14.16	55909-0674	60		
			12.16	55909-0574	50		
			10.16	55909-0474	40		
			8.96	55909-3474	34		
			8.16	55909-0374	30		
			7.36	55909-2674	26		
			6.96	55909-2474	24		
			6.56	55909-2274	22		
			6.16	55909-0274	20		
キャリアテープ幅 CARRIER TAPE WIDTH			C	B	(A)	MATERIAL NO.	CKT

CONNECTOR SERIES No. 55909-**73

QUALITY SYMBOLS ▽A = 0 ▽E = 0 ▽F = 0 ▼ = 0 ▽C = 0 ⊠ = 0 ■ = 0 ▽ = 0	THIS DRAWING CONTAINS INFORMATION THAT IS PROPRIETARY TO MOLEX ELECTRONIC TECHNOLOGIES, LLC AND SHOULD NOT BE USED WITHOUT WRITTEN PERMISSION				DIMENSION UNITS: mm SCALE: 2:1					
	EC NO: 605528 DRWN: JHCHANG CHK'D: KSKIM APPR: YSKIM02		GENERAL TOLERANCES (UNLESS SPECIFIED) ANGULAR TOL ± 1.0 ° 4 PLACES ± 0.1 3 PLACES ± 0.1 2 PLACES ± 0.1 1 PLACE ± 0.1 0 PLACES ± 0.1		DRWN BY: JHCHANG DATE: 2017/11/13 CHK'D BY: KSKIM DATE: 2018/10/01 APPR BY: YSKIM02 DATE: 2018/10/09					0.4B/B CONN PLUG ASSY(H=1.5) EMBSTP PKG
	DRAFT WHERE APPLICABLE MUST REMAIN WITHIN DIMENSIONS		DRAUGHTING SYMBOLS: A3, 3, THIRD ANGLE PROJECTION		PRODUCT CUSTOMER DRAWING			SERIES: 55909 MATERIAL NUMBER: SEE CHART CUSTOMER: GENERAL		
	DOCUMENT NUMBER: 559090074			DOC TYPE: PSD	DOC PART: 000	SHEET NUMBER: 2 OF 5				



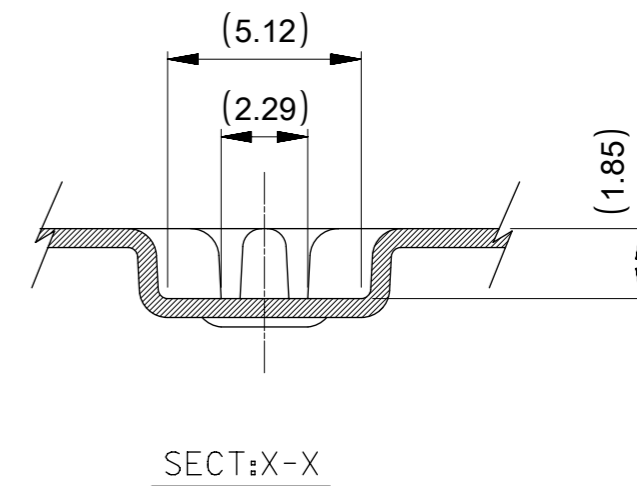
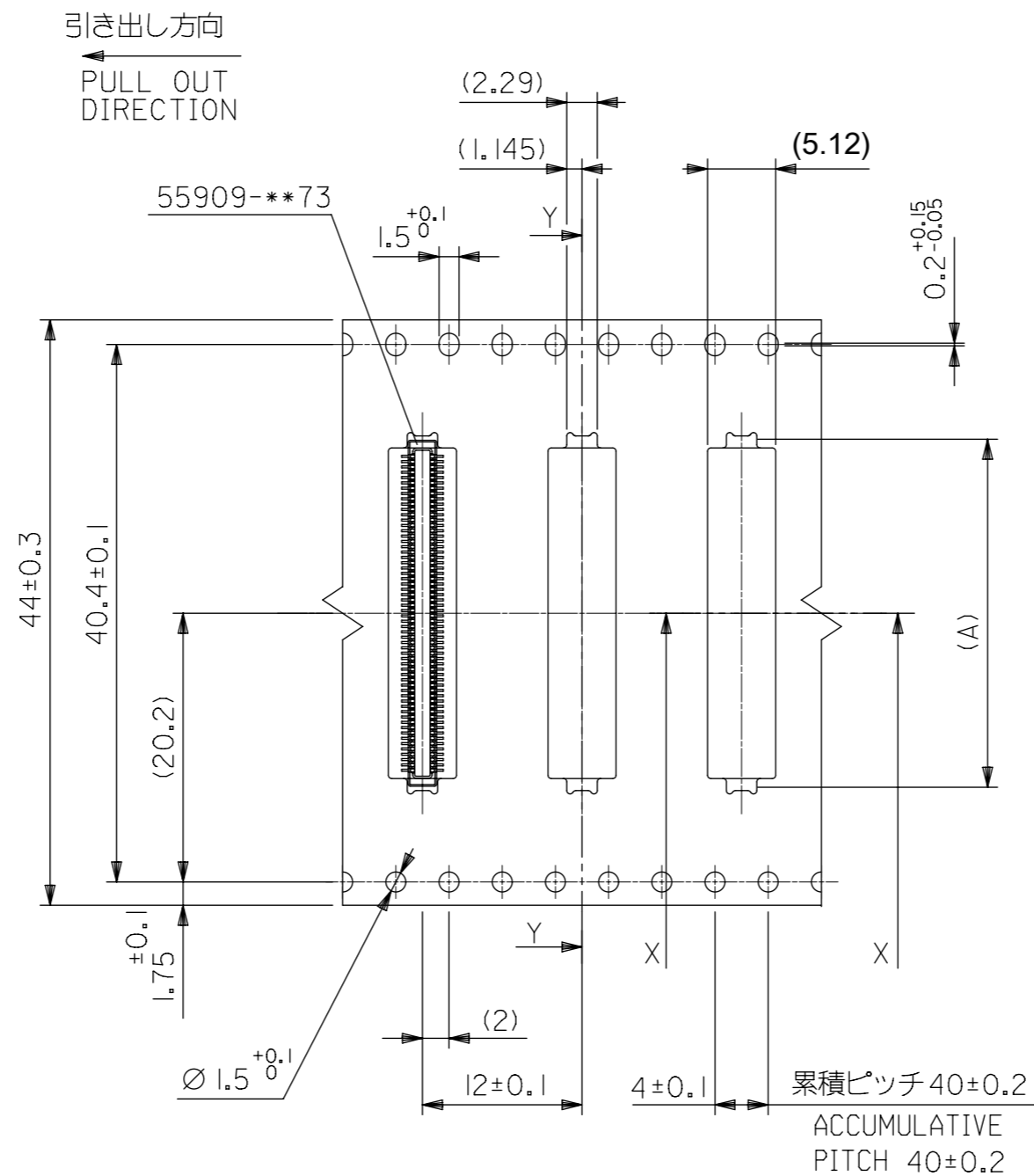
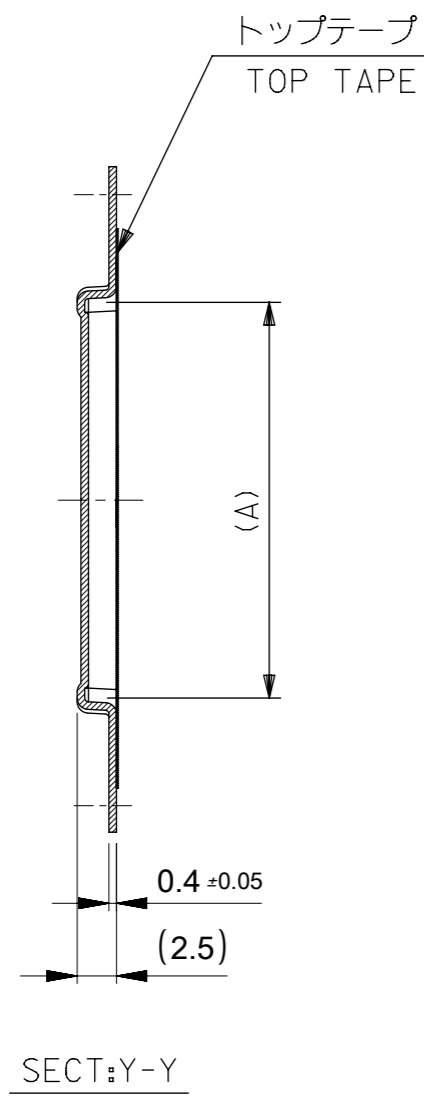
32mm幅キャリアテープ
32mm WIDTH CARRIER TAPE

注記)製品がポケット内に問題なく収まること。
NOTE. Pocket should contain product smoothly.

32	37.4	33.4	19.16	55909-0974	90
			18.16	55909-0874	80
			16.16	55909-0774	70
キャリアテープ幅 CARRIER TAPE WIDTH	C	B	(A)	MATERIAL NO.	極数 CKT.

CONNECTOR SERIES No. 55909-**73

QUALITY SYMBOLS ▽A = 0 ▽E = 0 ▽F = 0 ▼ = 0 ▽C = 0 ⊠ = 0 ■ = 0 ▽ = 0	THIS DRAWING CONTAINS INFORMATION THAT IS PROPRIETARY TO MOLEX ELECTRONIC TECHNOLOGIES, LLC AND SHOULD NOT BE USED WITHOUT WRITTEN PERMISSION				DIMENSION UNITS: mm SCALE: 2:1									
	DRWN BY: JHCHANG DATE: 2018/10/08		CHK'D BY: KSKIM DATE: 2018/10/01		APPR BY: YSKIM02 DATE: 2018/10/09					0.4B/B CONN PLUG ASSY(H=1.5) EMBSTP PKG PRODUCT CUSTOMER DRAWING				
	EC NO: 605528 DRWN: JHCHANG CHK'D: KSKIM APPR: YSKIM02		GENERAL TOLERANCES (UNLESS SPECIFIED) ANGULAR TOL ± 1.0 °		DRAFT WHERE APPLICABLE MUST REMAIN WITHIN DIMENSIONS		DRAWING SIZE: A3 THIRD ANGLE PROJECTION		SERIES: 55909 MATERIAL NUMBER: SEE CHART CUSTOMER: GENERAL					
	A3		4 PLACES ± 0.1 3 PLACES ± 0.1 2 PLACES ± 0.1 1 PLACE ± 0.1 0 PLACES ± 0.1		A3		DOCUMENT NUMBER: 559090074 DOC TYPE: PSD DOC PART: 000 SHEET NUMBER: 3 OF 5							



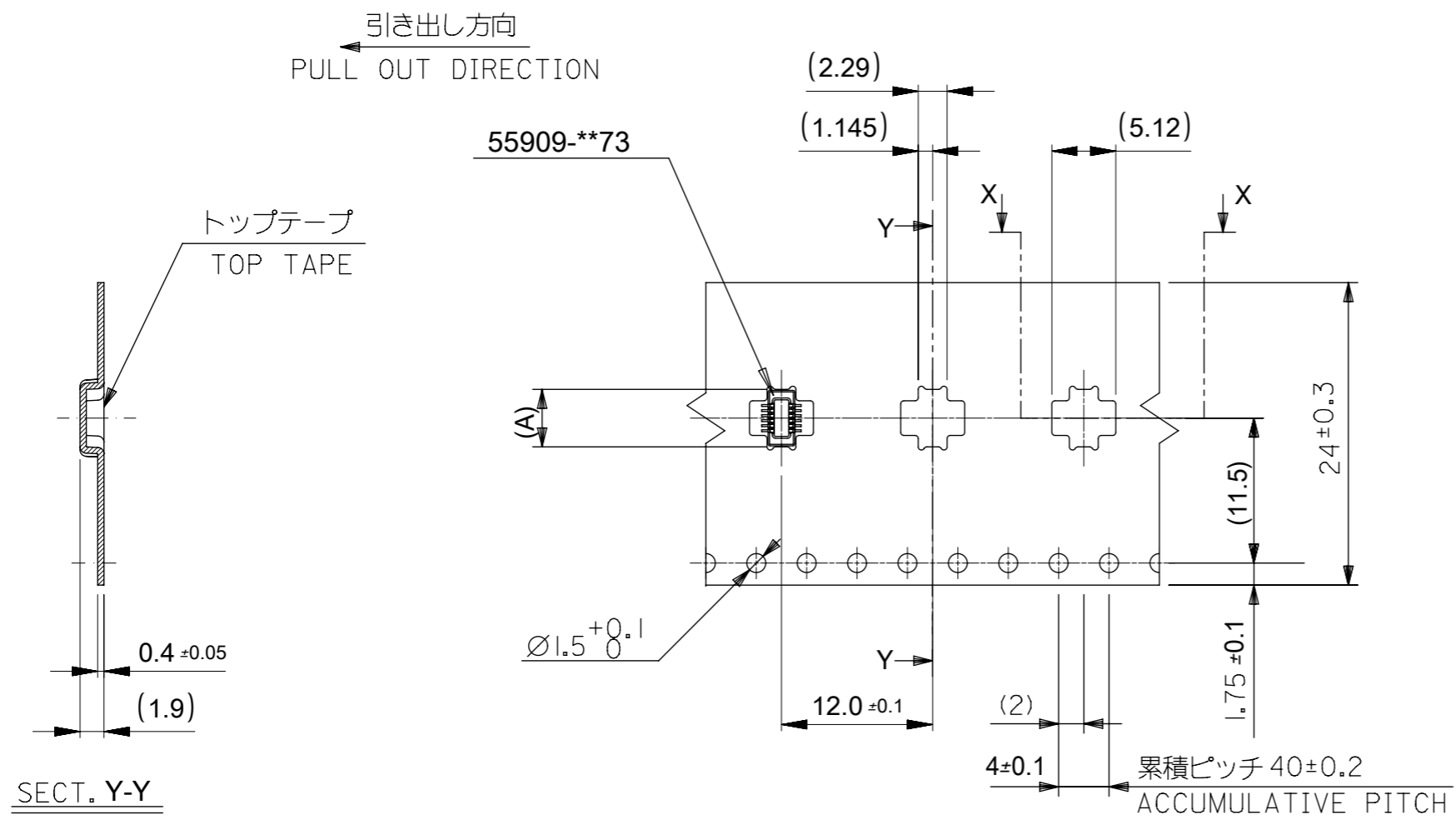
44mm幅キャリアテープ
44mm WIDTH CARRIER TAPE

注記)製品がポケット内に問題なく収まること。
NOTE. Pocket should contain product smoothly.

44	49.4	45.4	22.16	55909-1074	100
キャリアテープ幅 CARRIER TAPE WIDTH	C	B	(A)	MATERIAL NO.	極数 CKT.

CONNECTOR SERIES No. 55909-***73

QUALITY SYMBOLS ▽A = 0 ▽E = 0 ▽F = 0 ▼ = 0 ▽C = 0 ⊠ = 0 ■ = 0 ▽ = 0	THIS DRAWING CONTAINS INFORMATION THAT IS PROPRIETARY TO MOLEX ELECTRONIC TECHNOLOGIES, LLC AND SHOULD NOT BE USED WITHOUT WRITTEN PERMISSION		DIMENSION UNITS mm	SCALE 2:1			
	EC NO: 605528 DRWN: JHCHANG CHK'D: KSKIM APPR: YSKIM02	2018/10/08 2018/10/08 2018/10/09	GENERAL TOLERANCES (UNLESS SPECIFIED) ANGULAR TOL ± 1.0 °	DRWN BY JHCHANG		DATE 2017/11/13	0.4B/B CONN PLUG ASSY(H=1.5) EMBSTP PKG
			4 PLACES ± 0.1 3 PLACES ± 0.1 2 PLACES ± 0.1 1 PLACE ± 0.1 0 PLACES ± 0.1	CHK'D BY KSKIM		DATE 2018/10/01	
			DRAFT WHERE APPLICABLE MUST REMAIN WITHIN DIMENSIONS	APPR BY YSKIM02		DATE 2018/10/09	
A3		REV	DRAWING SIZE A3	THIRD ANGLE PROJECTION	PRODUCT CUSTOMER DRAWING		
RELEASE STATUS P1 RELEASE DATE 2018/10/09 23:37:36				SERIES 55909	MATERIAL NUMBER SEE CHART	CUSTOMER GENERAL	
				DOCUMENT NUMBER 559090074	DOC TYPE PSD	DOC PART 000	
						SHEET NUMBER 4 OF 5	

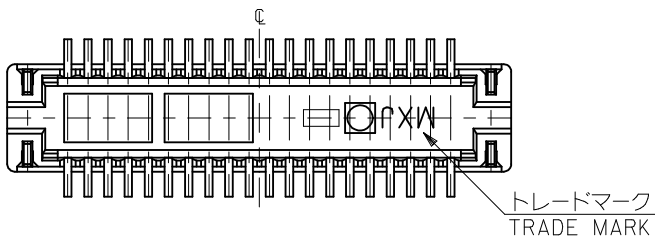
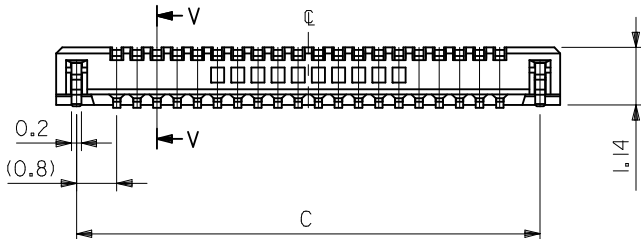
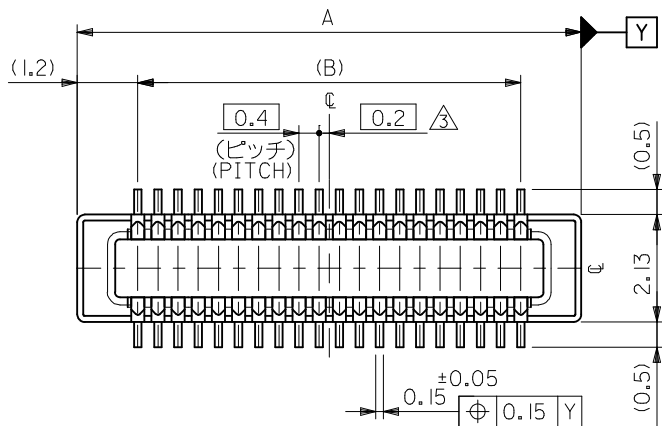


注記)製品がポケット内に問題なく収まること。
NOTE. Pocket should contain product smoothly.

24	29.4	25.4	5.36	55909-1674	16
			4.56	55909-9974	12
キャリアテープ幅 CARRIER TAPE WIDTH		C	B	(A) MATERIAL NO.	CKT

CONNECTOR SERIES No. 55909-**73

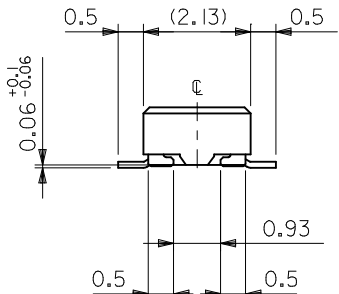
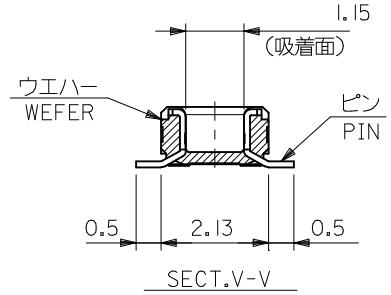
QUALITY SYMBOLS ▽A = 0 ▽E = 0 ▽F = 0 ▼ = 0 ▽C = 0 ⊠ = 0 ■ = 0 ▽ = 0	THIS DRAWING CONTAINS INFORMATION THAT IS PROPRIETARY TO MOLEX ELECTRONIC TECHNOLOGIES, LLC AND SHOULD NOT BE USED WITHOUT WRITTEN PERMISSION		DIMENSION UNITS mm	SCALE 2:1				
	EC NO.: 605528 DRWN: JHCHANG CHK'D: KSKIM APPR: YSKIM02	2018/10/08 2018/10/08 2018/10/09	GENERAL TOLERANCES (UNLESS SPECIFIED) ANGULAR TOL ± 1.0 ° 4 PLACES ± 0.1 3 PLACES ± 0.1 2 PLACES ± 0.1 1 PLACE ± 0.1 0 PLACES ± 0.1	DRWN BY JHCHANG		DATE 2017/11/13	0.4B/B CONN PLUG ASSY(H=1.5) EMBSTP PKG	
			CHK'D BY KSKIM	DATE 2018/10/01		PRODUCT CUSTOMER DRAWING		
			APPR BY YSKIM02	DATE 2018/10/09			SERIES 55909	MATERIAL NUMBER SEE CHART
		DRAFT WHERE APPLICABLE MUST REMAIN WITHIN DIMENSIONS	DRAWING SIZE A3	THIRD ANGLE PROJECTION 	DOCUMENT NUMBER 559090074	DOC TYPE PSD	DOC PART 000	SHEET NUMBER 5 OF 5



注記 NOTES:

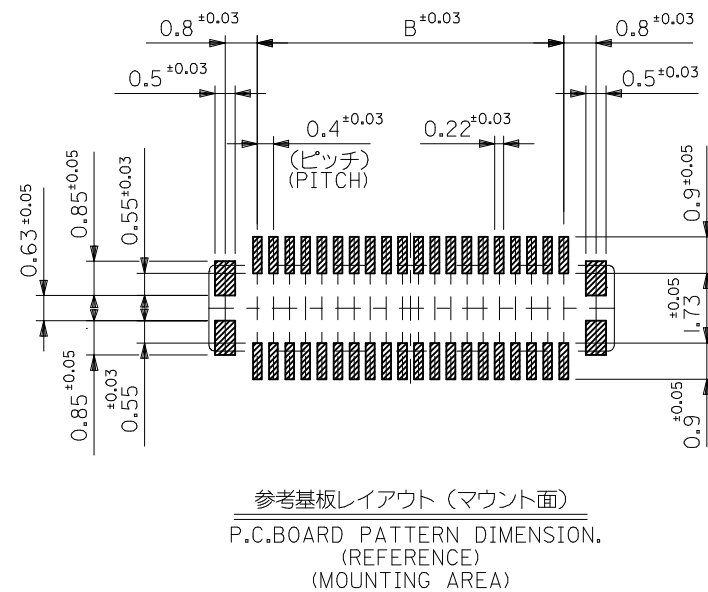
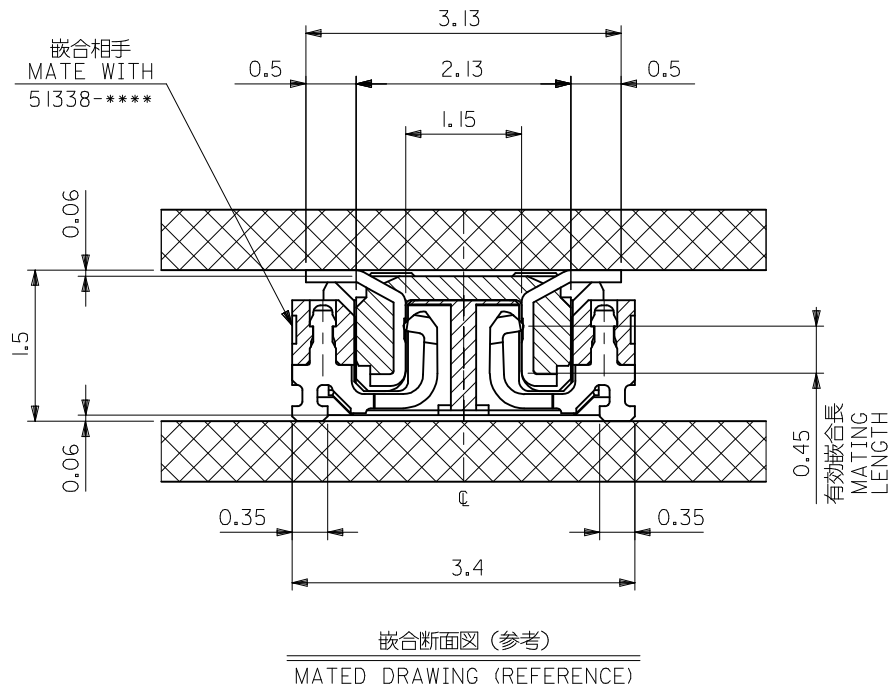
1. 使用材料 MATERIAL
 ウエハー: 液晶ポリマー (LCP) ガラス充填 UL94V-0 (黒)
 WAFER: LIQUID CRYSTAL POLYMER (GLASS FILLED)
 UL94V-0 (COLOR: BLACK)
 ピン: 黄銅 (t=0.12)
 PIN: BRASS (t=0.12)
 金具: リン青銅 (t=0.2)
 FITTING NAIL: PHOSPHOR BRONZE (t=0.2)
2. メッキ仕様 PLATING
 ピン PIN
 金メッキ 0.2 マイクロメートル以上 (コンタクト部)
 GOLD 0.2MICROMETER MINIMUM (CONTACT AREA)
 金メッキ 0.4 マイクロメートル以下 (テール部)
 GOLD 0.4MICROMETER MAXIMUM (TAIL AREA)
 下地メッキ: ニッケルメッキ 1.5 マイクロメートル以上
 UNDER PLATING: NICKEL 1.5MICROMETER MINIMUM
 金具 FITTING NAIL
 錫メッキ 1.0 マイクロメートル以上
 TIN PLATING 1.0MICROMETER MINIMUM
 下地メッキ: ニッケルメッキ 1.0 マイクロメートル以上
 UNDER PLATING: NICKEL 1.0MICROMETER MINIMUM

4. 嵌合相手: 51338シリーズ
 MATE WITH: 51338 SERIES.
5. テール平坦度は、0.08以下
 テール及び金具の平坦度は、0.1以下
 TAIL COPLANARITY TO BE 0.08 MAXIMUM
 TAIL AND FITTING NAIL COPLANARITY TO BE 0.1 MAXIMUM
6. 本製品は 55909-***3 の鉛フリー品である。
 THIS PRODUCT IS LEAD FREE OF 55909-***3



21.2	19.6	22.0	55909-1074	100
19.2	17.6	20.0	55909-0974	90
17.2	15.6	18.0	55909-0874	80
15.2	13.6	16.0	55909-0774	70
13.2	11.6	14.0	55909-0674	60
11.2	9.6	12.0	55909-0574	50
9.2	7.6	10.0	55909-0474	40
8.0	6.4	8.8	55909-3474	34
7.2	5.6	8.0	55909-0374	30
6.4	4.8	7.2	55909-2674	26
6.0	4.4	6.8	55909-2474	24
5.6	4.0	6.4	55909-2274	22
5.2	3.6	6.0	55909-0274	20
4.4	2.8	5.2	55909-1674	16
3.6	2.0	4.4	55909-9974	12
C	B	A	EMBOSSED TAPE PKG. ORDER No. オーダー番号	CKT.
CONNECTOR SERIES NO.			55909-***73	

REVISED EC NO: J2013-0254 DRW: KTOYODA 2012/08/30 CHK: D.TASAKAWA 2012/08/30 APPR: T.SAKAWA 2012/08/31	GENERAL TOLERANCES (UNLESS SPECIFIED)		DIMENSION STYLE MM ONLY		SCALE ---	DESIGN UNITS METRIC		THIRD ANGLE PROJECTION	
	10 UNDER	±0.2	DRAWN BY HSHI MABUKURO	DATE 2004/02/20	TITLE 0.4 B-TO-B CONN. PLUG ASSY (HGT=1.5) WITH NAIL -LEAD FREE-				
	10 OVER 30 UNDER	±0.25	CHECKED BY K. TOJO	DATE 2004/02/20					
	30 OVER	±0.3	APPROVED BY M. SASAO	DATE 2004/02/20					
ANGULAR ±1/2 °		MATERIAL NO.		DOCUMENT NO.		SHEET NO.			
DRAFT WHERE APPLICABLE MUST REMAIN WITHIN DIMENSIONS		SEE CHART		SD-55909-003		1 OF 2			
SIZE A3		THIS DRAWING CONTAINS INFORMATION THAT IS PROPRIETARY TO MOLEX INCORPORATED AND SHOULD NOT BE USED WITHOUT WRITTEN PERMISSION							



SEE SHEET 1 OF 2 EC NO.: J2013-0254 DRW: KTOYODA 2012/08/30 CHKD: TASAKAWA 2012/08/30 APPR: TASAKAWA 2012/08/31	GENERAL TOLERANCES (UNLESS SPECIFIED)		DIMENSION STYLE MM ONLY		SCALE ---	55909-**73	MODEL NO.
	10 UNDER	±0.2	DRAWN BY HSHIMABUKURO	DATE 2004/02/20	TITLE	0.4 B-TO-B CONN. PLUG ASSY (HGT=1.5) WITH NAIL -LEAD FREE-	
	10 OVER 30 UNDER	±0.25	CHECKED BY K. TOJO	DATE 2004/02/20			
	30 OVER	±0.3	APPROVED BY M. SASAO	DATE 2004/02/20			
ANGULAR	±3 °	MATERIAL NO. SEE SHEET 1		DOCUMENT NO. SD-55909-003	SHEET NO. 2 OF 2		
	DRAFT WHERE APPLICABLE MUST REMAIN WITHIN DIMENSIONS		THIS DRAWING CONTAINS INFORMATION THAT IS PROPRIETARY TO MOLEX INCORPORATED AND SHOULD NOT BE USED WITHOUT WRITTEN PERMISSION				