

THE INFORMATION CONTAINED HEREIN IS CONSIDERED "PROPRIETARY" TO BEL FUSE INC. AND SHALL NOT BE COPIED, REPRODUCED OR DISCLOSED WITHOUT THE WRITTEN APPROVAL OF BEL FUSE INC.

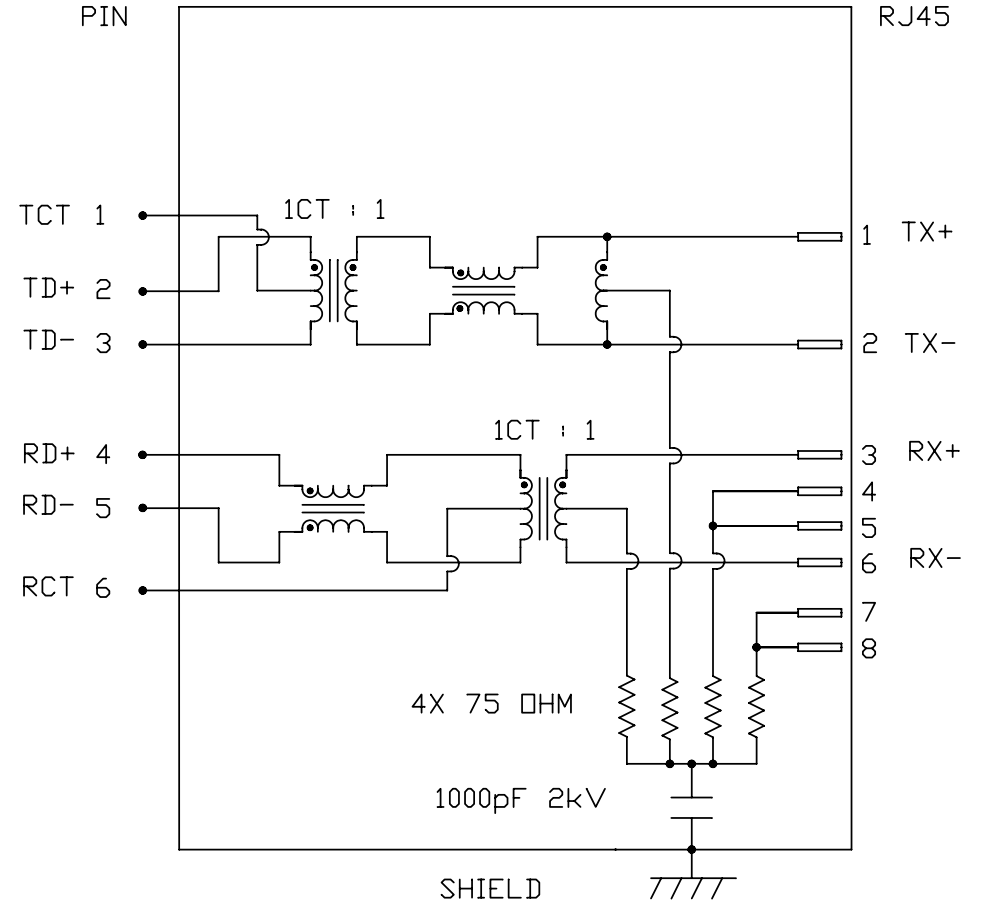
RoHS



ELECTRICAL CHARACTERISTICS @ 25°C

|   |                       |
|---|-----------------------|
| TURNS RATIO   |                       |
| TX  | 1CT : 1               |
| RX  | 1CT : 1               |
| □CL @ 100kHz/100mVRMS   | 350μH MIN.            |
| 8mA DC BIAS   |                       |
| INS. LOSS   |                       |
| 1MHz TO 100MHz  | -1.0 dB MAX           |
| RET. LOSS (MIN)   |                       |
| 1MHz-30MHz  | -18 dB                |
| 30MHz-60MHz   | -18+20LOG(F/30MHz) dB |
| 60MHz-80MHz   | -12 dB                |
| CROSS TALK (TX - RX)  |                       |
| 500kHz-1MHz   | -70 dB MIN            |
| 10 MHz  | -50 dB MIN            |
| 30 MHz  | -45 dB MIN            |
| 50 MHz  | -40 dB MIN            |
| 100 MHz   | -35 dB MIN            |
| CM TO CM REJ  |                       |
| 100kHz-1MHz   | -70 dB MIN            |
| 10 MHz  | -47 dB MIN            |
| 30 MHz  | -42 dB MIN            |
| 60 MHz  | -37 dB MIN            |
| 100 MHz   | -30 dB MIN            |
| CM TO DM REJ  |                       |
| 100kHz-1MHz   | -70 dB MIN            |
| 10 MHz  | -60 dB MIN            |
| 30 MHz  | -50 dB MIN            |
| 60 MHz  | -45 dB MIN            |
| 100 MHz   | -40 dB MIN            |
| HIPOT (Isolation Voltage):  | 1500 Vrms or 2250VDC  |
| 100% OF PRODUCTION TESTED TO COMPLY WITH IEEE 802.3 ISOLATION REQUIREMENTS. |                       |

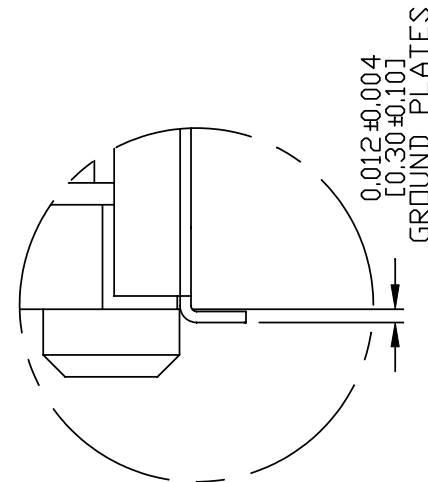
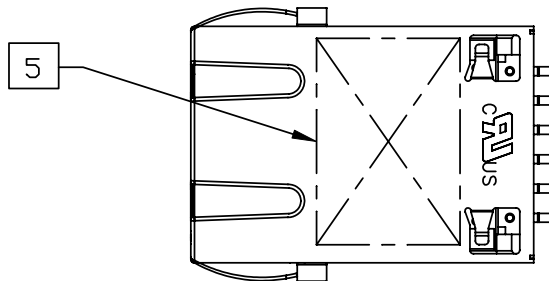
SCHEMATIC



|                                |                    |   |                                       |                            |  |                              |           |  |
|--------------------------------|--------------------|---|---------------------------------------|----------------------------|--|------------------------------|-----------|--|
| ORIGINATED BY<br>CHOW WANCHUNG | DATE<br>2012-07-27 | TITLE<br>SMD MagJack®<br>(CM Termination)<br>S811-1X1T-A4-F<br>PATENTED | PART NO. / DRAWING NO.<br>S811X1TA4-F | STANDARD DIM. TOL. IN INCH |  | [ ] METRIC DIM. AS REFERENCE |           | bel<br>COMPONENTS FOR A CONNECTED PLANET |
|                                |                    |   |                                       | .X                         |  | UNIT : INCH [mm]             | REV. : D  |  |
| DRAWN BY<br>TAN QIGUANG        | DATE<br>2012-07-27 |   | FILE NAME<br>S811X1TA4-F_D.DWG        | .XX                        |  | SCALE : N/A                  | SIZE : A4 | PAGE : 2                                 |
|                                |                    |   |                                       | .XXX                       |  |                              |           |  |

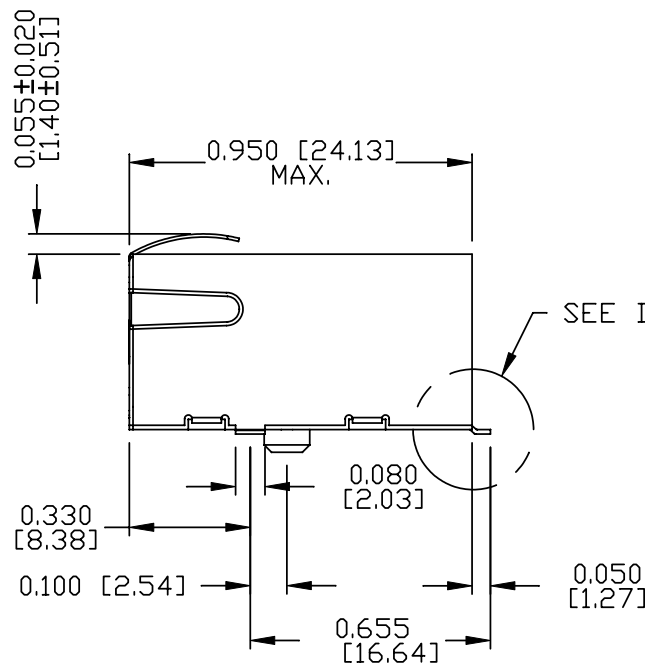
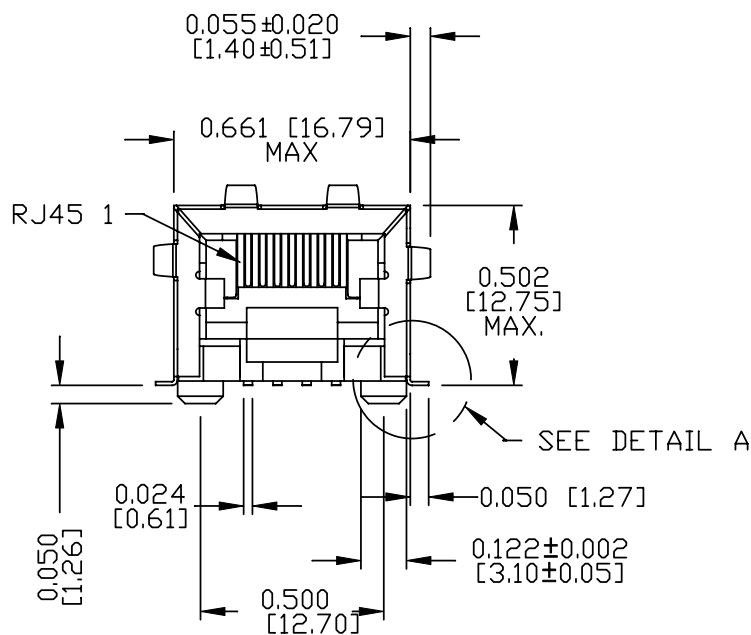
THE INFORMATION CONTAINED HEREIN IS CONSIDERED "PROPRIETARY" TO BEL FUSE INC. AND SHALL NOT BE COPIED, REPRODUCED OR DISCLOSED WITHOUT THE WRITTEN APPROVAL OF BEL FUSE INC.

RoHS

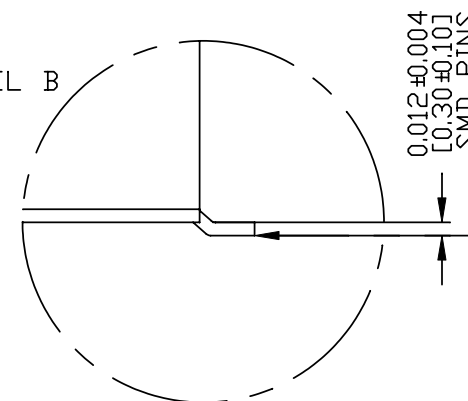


DETAIL A

SCALE 3:1



SEE DETAIL B



DETAIL B

SCALE 3:1

|  |       |
|--|-------|
|  | 0.006 |
|  | 0.006 |

|                             |                    |
|-----------------------------|--------------------|
| ORIGINATED BY<br>ANTON LIAO | DATE<br>2012-07-28 |
| DRAWN BY<br>HE ZHEN         | DATE<br>2012-07-28 |

|  |
|--|
| TITLE<br>SMD MagJack ©<br>(CM Termination)<br>S811-1X1T-A4-F<br>PATENTED |
|--|

|                                       |
|---------------------------------------|
| PART NO. / DRAWING NO.<br>S811X1TA4-F |
| FILE NAME<br>S811X1TA4-F_D.DWG        |

|                               |
|-------------------------------|
| STANDARD DIM.<br>TOL. IN INCH |
| .X                            |
| .XX                           |
| .XXX                          |

|                              |           |
|------------------------------|-----------|
| [ ] METRIC DIM. AS REFERENCE | REV. : D  |
| UNIT : INCH [mm]             | SIZE : A4 |
| SCALE : N/A                  | PAGE : 3  |

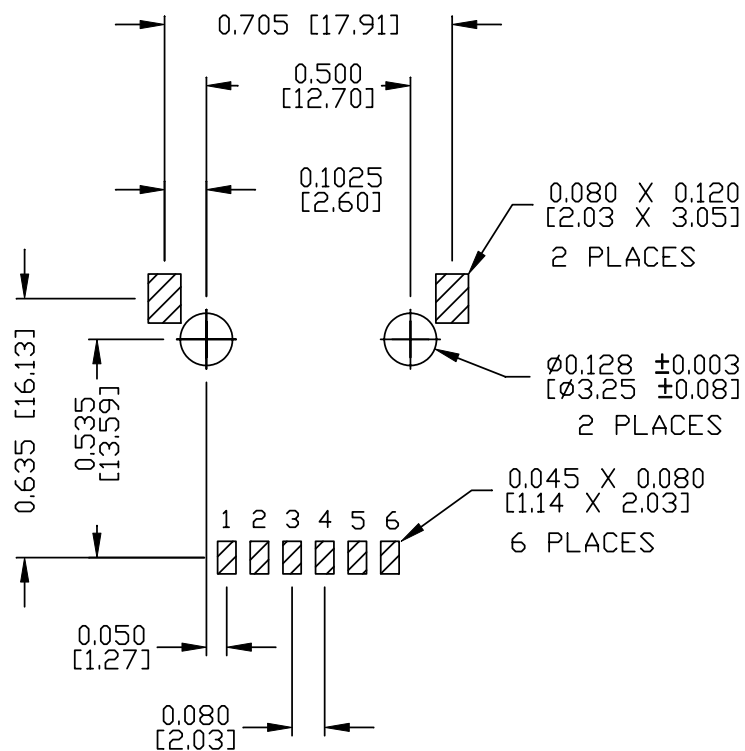


THE INFORMATION CONTAINED HEREIN IS CONSIDERED "PROPRIETARY" TO BEL FUSE INC. AND SHALL NOT BE COPIED, REPRODUCED OR DISCLOSED WITHOUT THE WRITTEN APPROVAL OF BEL FUSE INC.

RoHS



RECOMMENDED PCB FOOTPRINT  
COMPONENT SIDE VIEW



NOTES:

1. PLASTIC HOUSING: THERMOPLASTIC PA & THERMOSET PHENOLIC. FLAMMABILITY RATING UL 94V-0
2. CONTACTS PLATING: 50 MICRO-INCH HARD GOLD PLATING OR EQUIVALENT.
3. PINS: TIN-COATED COPPER WIRE, 0.024 [0.6] X 0.012 [0.3] THK,
4. METAL SHIELD: NICKEL PLATED ON COPPER ALLOY.
5. MARK PART WITH MFG. LOGO, MFG. NAME, PART NUMBER, DATE CODE AND PATENTED.
6. JACK CAVITY CONFORMS TO FCC RULES AND REGULATIONS.
7. THE PRODUCT IS RoHS COMPLIANT.
8. THE PRODUCT IS PATENT PRODUCT. THE PATENT NUMBER IS U.S. PAT. 5,736,910.

 USUL RECOGNIZED - FILE #E196366 AND E169987.

ORIGINATED BY ANTON LIAO  
DATE 2012-07-28


DRAWN BY HE ZHEN  
DATE 2012-07-28

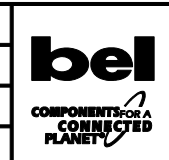
TITLE SMD MagJack ®  
(CM Termination)  
S811-1X1T-A4-F  
PATENTED

PART NO. / DRAWING NO.  
S811X1TA4-F

FILE NAME  
S811X1TA4-F\_D.DWG

| STANDARD DIM. TOL. IN INCH |        |
|----------------------------|--------|
| .X                         |        |
| .XX                        |        |
| .XXX                       | ±0.004 |

| [ ] METRIC DIM. AS REFERENCE  |           |
|---|-----------|
| UNIT : INCH [mm]  | REV. : D  |
| SCALE : N/A   | SIZE : A4 |
|  | PAGE : 4  |

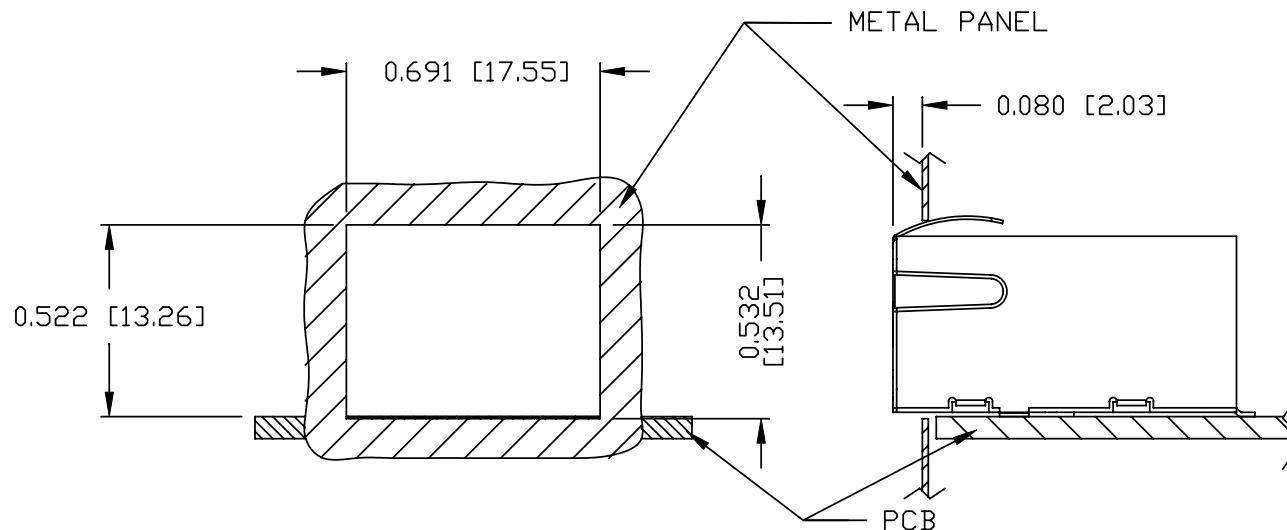


THE INFORMATION CONTAINED HEREIN IS CONSIDERED 'PROPRIETARY' TO BEL FUSE INC. AND SHALL NOT BE COPIED, REPRODUCED OR DISCLOSED WITHOUT THE WRITTEN APPROVAL OF BEL FUSE INC.

RoHS



SUGGESTED PANEL OPENING



NOTES:

THE DISTANCE OF PANEL INSIDE SURFACE RELATIVE TO FRONT SURFACE OF PART IS ONLY A SUGGESTION.

IN CASE THIS DISTANCE IS DIFFERENT, THE REQUIRED PANEL OPENING DIMENSIONS CHANGE ACCORDINGLY.

|                             |                    |  |                                       |               |        |                              |           |   |
|-----------------------------|--------------------|--|---------------------------------------|---------------|--------|------------------------------|-----------|---|
| ORIGINATED BY<br>ANTON LIAO | DATE<br>2012-07-28 | TITLE<br>SMD MagJack ©<br>(CM Termination)<br>S811-1X1T-A4-F<br>PATENTED | PART NO. / DRAWING NO.<br>S811X1TA4-F | STANDARD DIM. |        | [ ] METRIC DIM. AS REFERENCE |           | bel                                     |
|                             |                    |  |                                       | TOL. IN INCH  |        | UNIT : INCH [mm]             | REV. : D  |   |
| DRAWN BY<br>HE ZHEN         | DATE<br>2012-07-28 |  | FILE NAME<br>S811X1TA4-F_D.DWG        | .X            |        | SCALE : N/A                  | SIZE : A4 | COMPONENTS FOR A<br>CONNECTED<br>PLANET |
|                             |                    |  |                                       | .XX           |        | ⊕ - - -                      | PAGE : 5  |   |
|                             |                    |  |                                       | .XXX          | ±0.004 |                              |           |   |

# Mouser Electronics

Authorized Distributor

Click to View Pricing, Inventory, Delivery & Lifecycle Information:

Bel:

[0826-1A4T-23-F](#) [0854-2X4R-JD-F](#)