

Customer Information Sheet

DRAWING No.: M52-511XX45

SHEET 2 OF 2

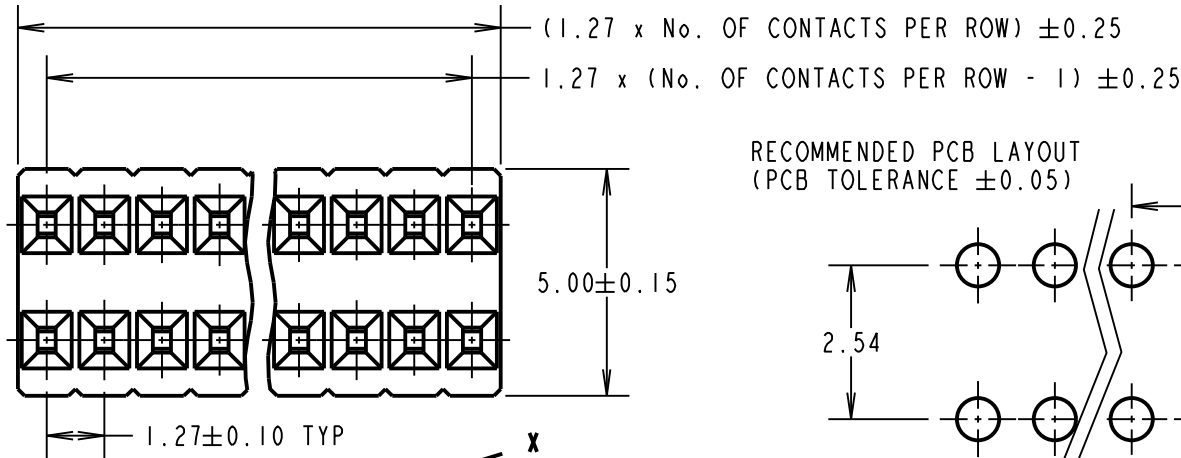
IF IN DOUBT - ASK

©

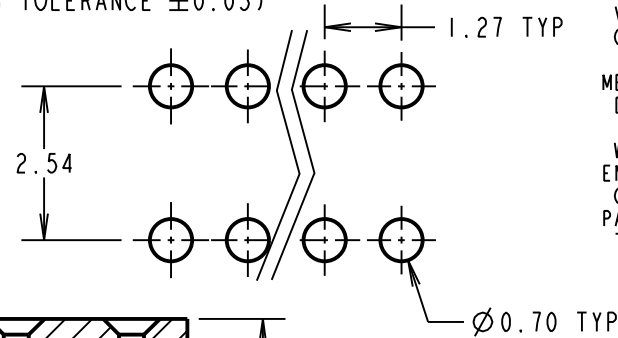
NOT TO SCALE

THIRD ANGLE PROJECTION

ALL DIMENSIONS IN mm

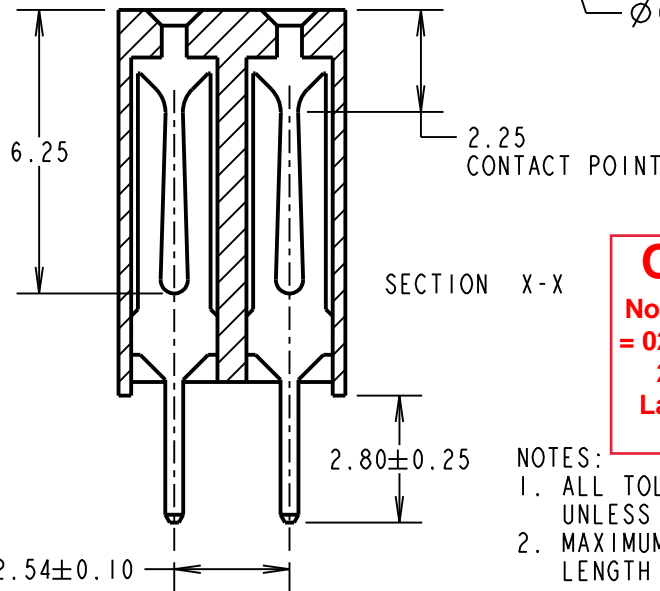
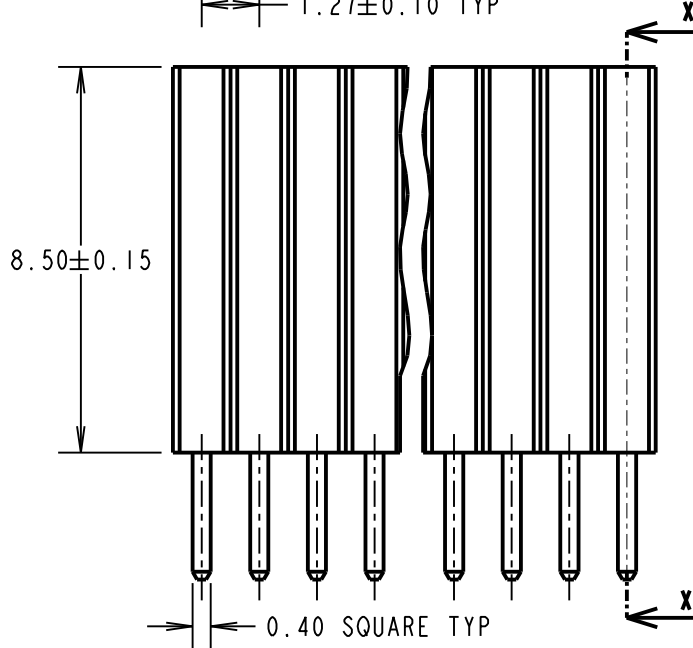


RECOMMENDED PCB LAYOUT
(PCB TOLERANCE ± 0.05)



SPECIFICATIONS:

MATERIAL:
 MOULDING = NYLON 9T UL94V-0, BLACK
 CONTACT = PHOSPHOR BRONZE
FINISH:
 CONTACT = GOLD OVER NICKEL
ELECTRICAL:
 CURRENT RATING = 1A
 VOLTAGE PROOF = 1000V ACrms/DC
 CONTACT RESISTANCE = 30m Ω MAX
 INSULATION RESISTANCE = 1,000M Ω MIN
MECHANICAL:
 DURABILITY = 300 CYCLES MIN
 INSERTION FORCE = 1.5N MAX PER CONTACT
 WITHDRAWAL FORCE = 0.10N MIN PER CONTACT
ENVIRONMENTAL:
 OPERATING TEMPERATURE = -40°C TO +105°C
PACKING:
 TUBE



ORDER CODE:

M52-511XX45

No. OF WAYS PER ROW
03 to 10, 12, 15, 20, 23, 25

FINISH: GOLD

OBSOLETE

No. of contacts per row
 = 02, 11, 13, 14, 16 to 19,
 21, 22, 24, 26 to 40
 Last Time Buy = 15th
 June 2018

NOTES:

- ALL TOLERANCES ARE ± 0.12 UNLESS OTHERWISE STATED.
- MAXIMUM MATING PIN LENGTH = 6.10mm.

SB	7	25.09.12	11832
NAME	ISS.	DATE	C/NOTE
APPROVED:		S.BENNETT	
CHECKED:		S.FLOWER	
DRAWN:		J. ENRIGHT	
CUSTOMER REF.:			
ASSEMBLY DRG:			

HARWIN

www.harwin.com
 technical@harwin.com

THIS DRAWING AND ANY INFORMATION OR DESCRIPTIVE MATTER SET OUT HEREON ARE CONFIDENTIAL AND COPYRIGHT PROPERTY OF THE HARWIN GROUP AND MUST NOT BE DISCLOSED, LOANED, COPIED OR USED FOR MANUFACTURING, TENDERING OR FOR ANY OTHER PURPOSE WITHOUT THEIR WRITTEN PERMISSION.

TOLERANCES

~~X. = ± 1 mm~~
~~X.X = ± 0.25 mm~~
~~X.XX = ± 0.10 mm~~
~~X.XXX = ± 0.01 mm~~
 ANGLES = $\pm 5^\circ$
 UNLESS STATED

MATERIAL:

SEE ABOVE

FINISH: SEE ABOVE

S/AREA:

mm²

TITLE:

1.27mm PITCH DIL
 VERTICAL PC TAIL SOCKET ASSY

DRAWING NUMBER:

M52-511XX45

SHT
 2
 OF 2