

PRODUCT NUMBER
10076801-YXX-XXLF

PLATING

1= 0.76µm GOLD/GXT ON CONTACT AREA, 2µm TIN MIN ON TAILS

4= 2.0µm TIN MIN FULL PLATED

5= 0.25µm GOLD/GXT ON CONTACT AREA, 2µm TIN MIN ON TAILS ONLY AVAILABLE UPON REQUEST

8= 0.38µm GOLD/GXT ON CONTACT AREA, 2µm TIN MIN ON TAILS

1.27µm NICKEL MIN UNDERLAYER FOR ALL PLATING VERSIONS

LEAD FREE & RoHS COMPATIBLE
NOTE 7

TOTAL NB OF POS
04 TO 72

PACKAGING NOTE 3.

PIN STYLE	POST	SOLDER
01	5.84	2.50
02	6.75	2.50
03	5.84	3.00
04	6.75	3.00
05	7.70	3.00
06	8.20	3.00
07	10.50	3.20
08	9.10	3.00
09	5.84	2.00

NOTES:

- HOUSING MAT'L : HIGH TEMPERATURE THERMOPLASTIC. UL94V-0 COLOR: BLACK
- PIN MATERIAL : PHOSPHOR BRONZE
- PACKAGING OPTIONS:
 - = POLY BAGS
 - A = TAPE & REEL WITH CAP, AS AVAILABLE
 - T = IN TUBE WITHOUT PICK-UP CAP ONLY AVAILABLE UPON REQUEST
- 9N MIN RETENTION IN EITHER DIRECTION
- TO DETERMINE DIMENSIONS :
N = NUMBER OF POSITIONS PER ROW
EXAMPLE : 8 POS N x 2.54 = 20.32mm
- UNDERPLATING : 1.27µm Ni MIN
- RoHS COMPLIANT & COMPATIBLE PRODUCT SPECIFICATIONS

a - PLATING:

- "LF" MEANS THE PRODUCT IS LEAD-FREE, 2µm MINIMUM MATTE TIN OVER 1.27µm MINIMUM NICKEL UNDERPLATE.

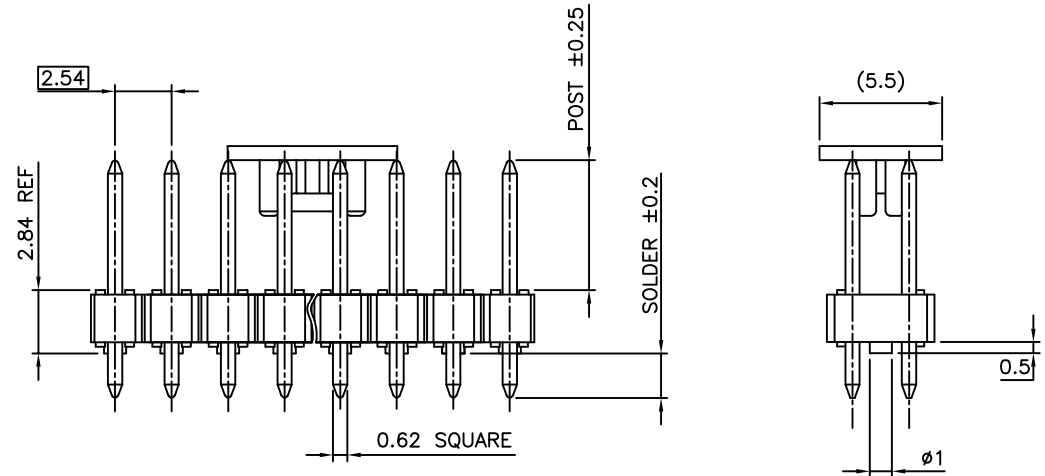
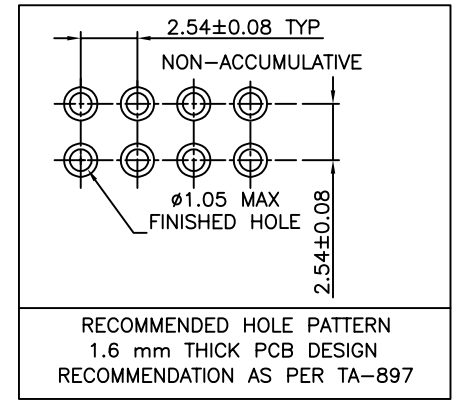
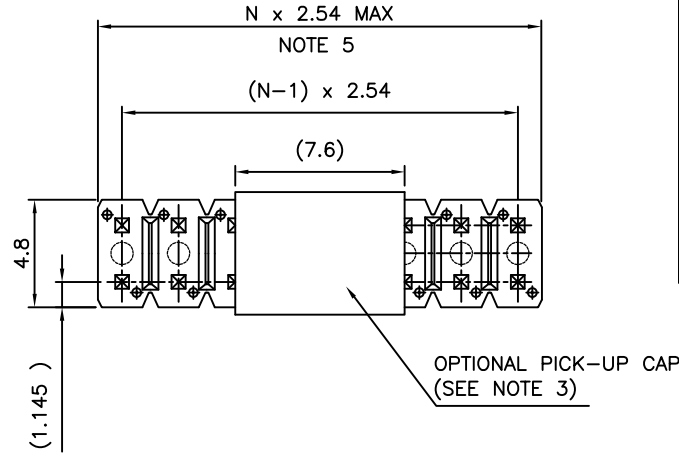
b - MANUFACTURING PROCESS COMPATIBILITY

- THE HOUSING WILL WITHSTAND EXPOSURE TO 260°C PEAK TEMPERATURE FOR 30 SECONDES IN A CONVECTION, INFRA-RED OR VAPOR PHASE REFLOW OVEN.

c - LABELING:

- MEETS PACKAGING SPECS AS PER GS-14-920

d - LEGAL STATEMENT: SEE GS-47-0004



mat'l. code		surface		tolerance		projection		product family	
SEE NOTES		ISO 1302 ✓		ISO 406 ISO 1101				BERGSTIK	
ltr	ecn no	dr	date	tolerances unless otherwise specified		mm		title	
A	F08-0104	LMU	08.01.15	angles	linear	.x ±0.3		UNSHR.HEADER	
B	F09-0072	JCO	09.07.23			.xx ±0.15		DR STR PIN IN PASTE	
C	B-17101	JCO	14.03.04			.xxx ±0.05		scale 5:1	
D	B-18988	LMU	14.10.06	dr	L.MULIN	07.02.21		dwg no	
E	F-23186	AMA	16.02.01	enr	JM.C	07.02.21		sheet 1 of 1	
F	F-47112	DDE	23.01.25	chr	P.NIZZI	07.10.22		size	
				appd	JM.C	07.02.21		10076801	
sheet index		revision sheet						type CUSTOMER Drawing	