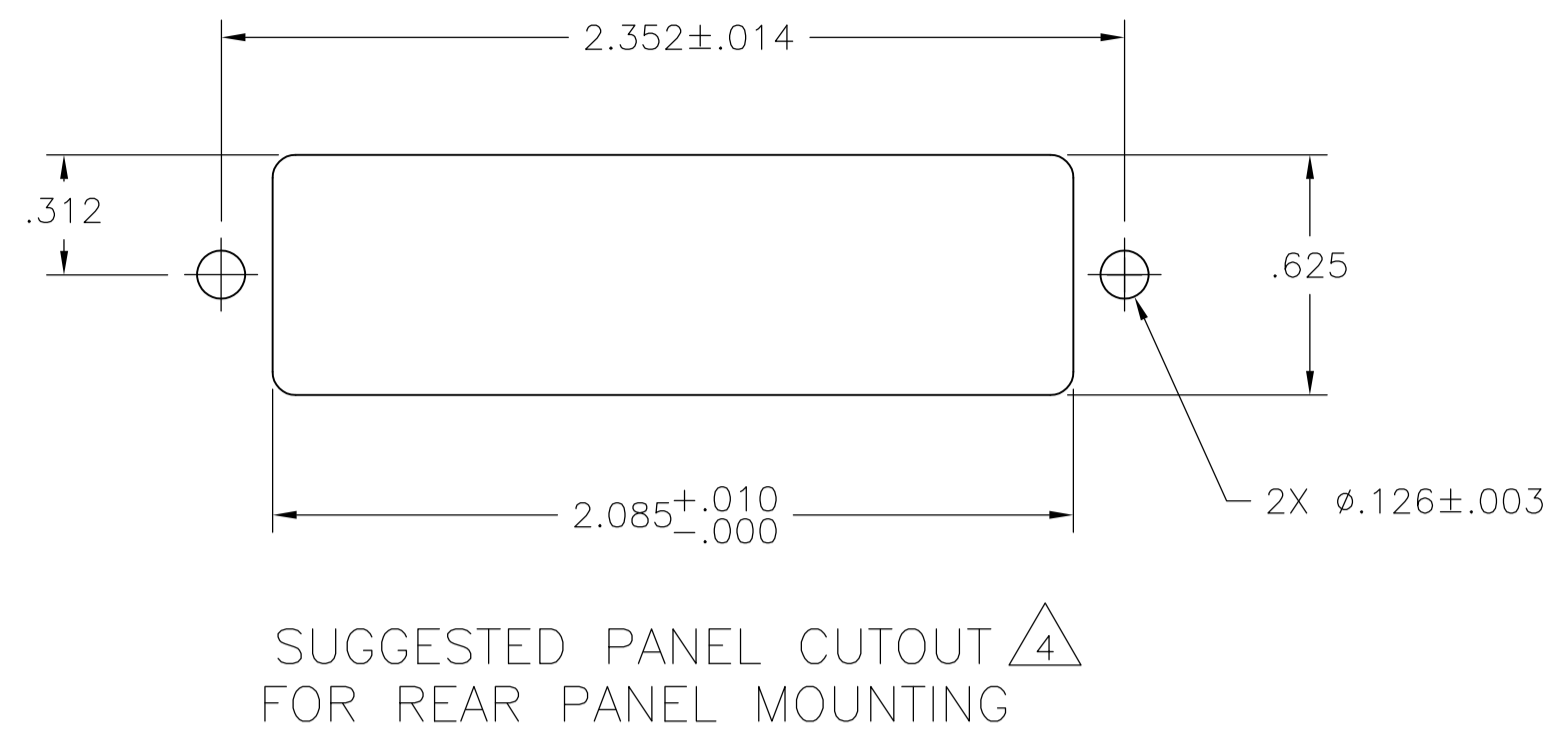
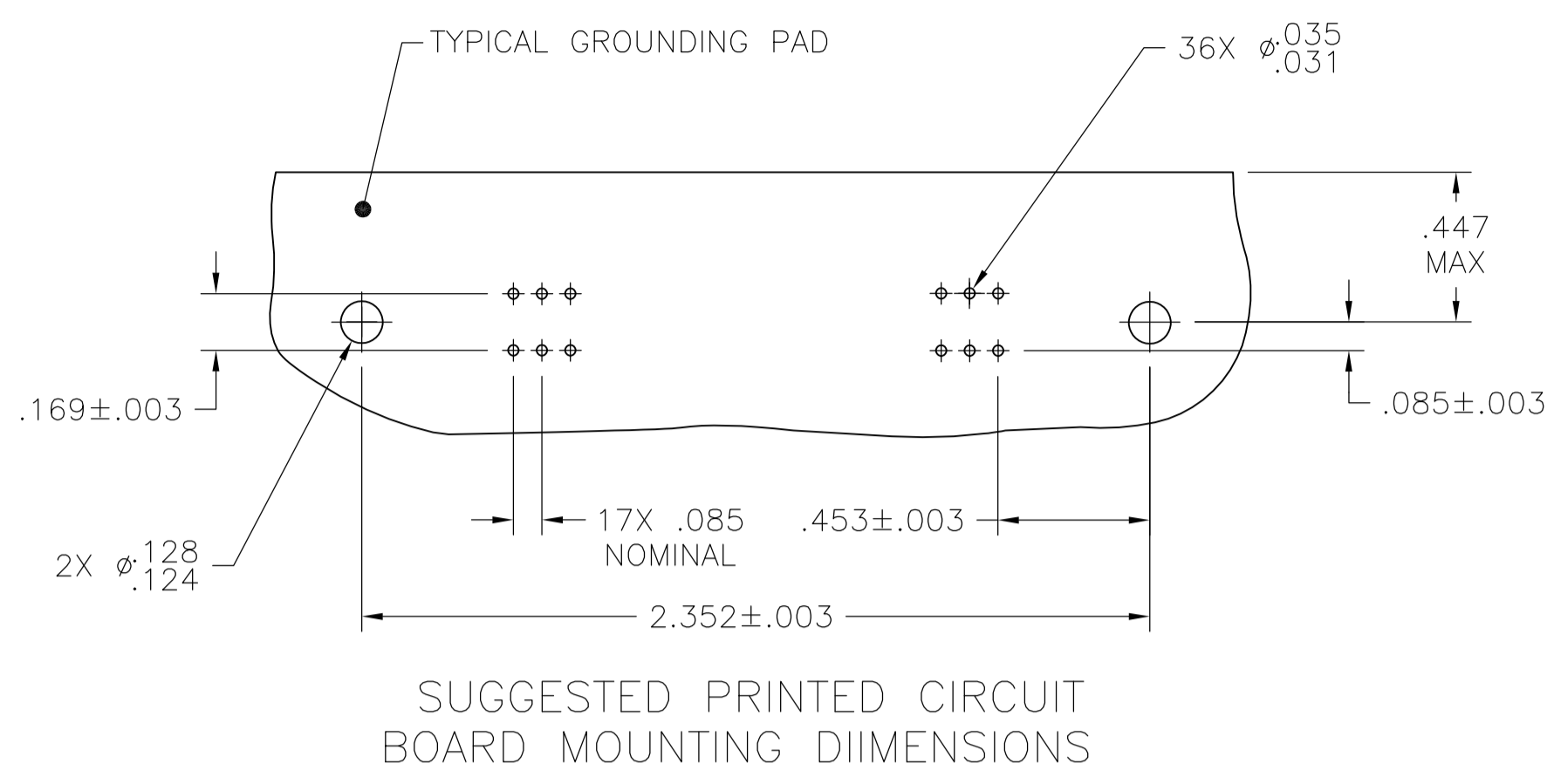
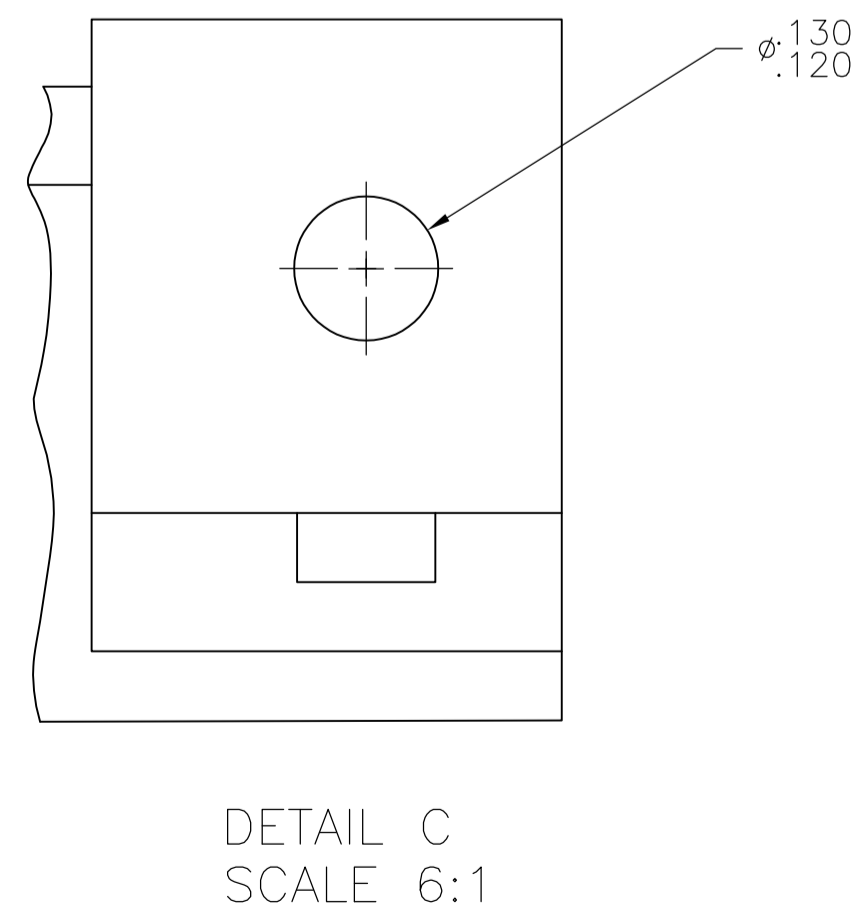
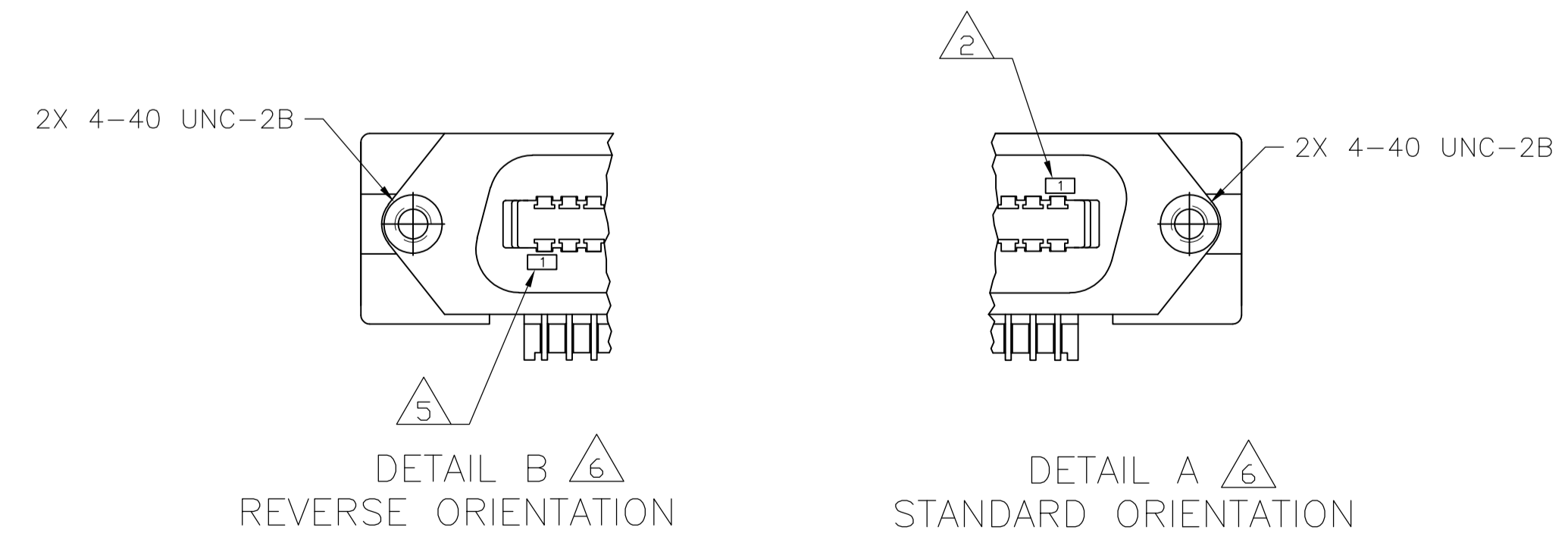
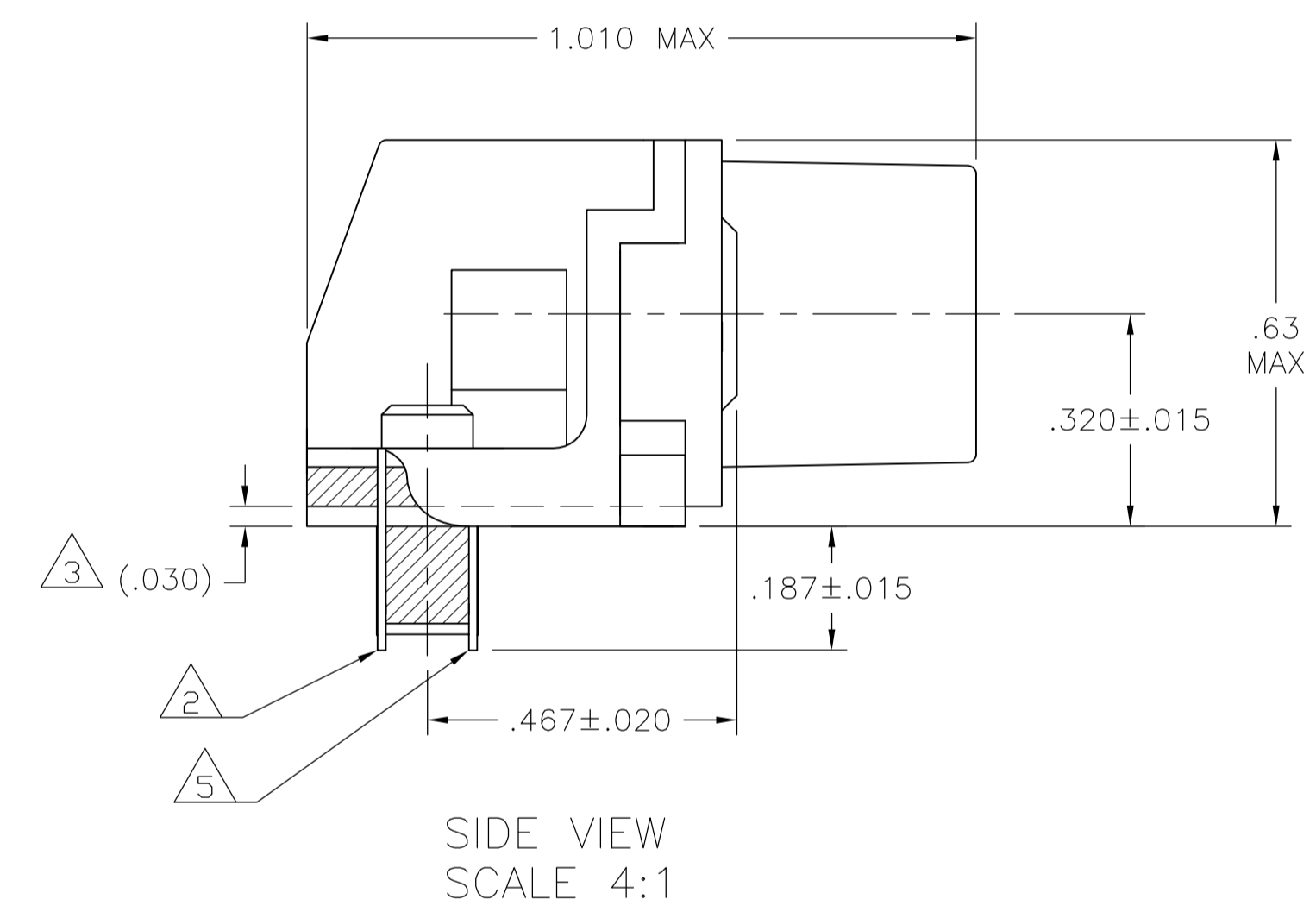
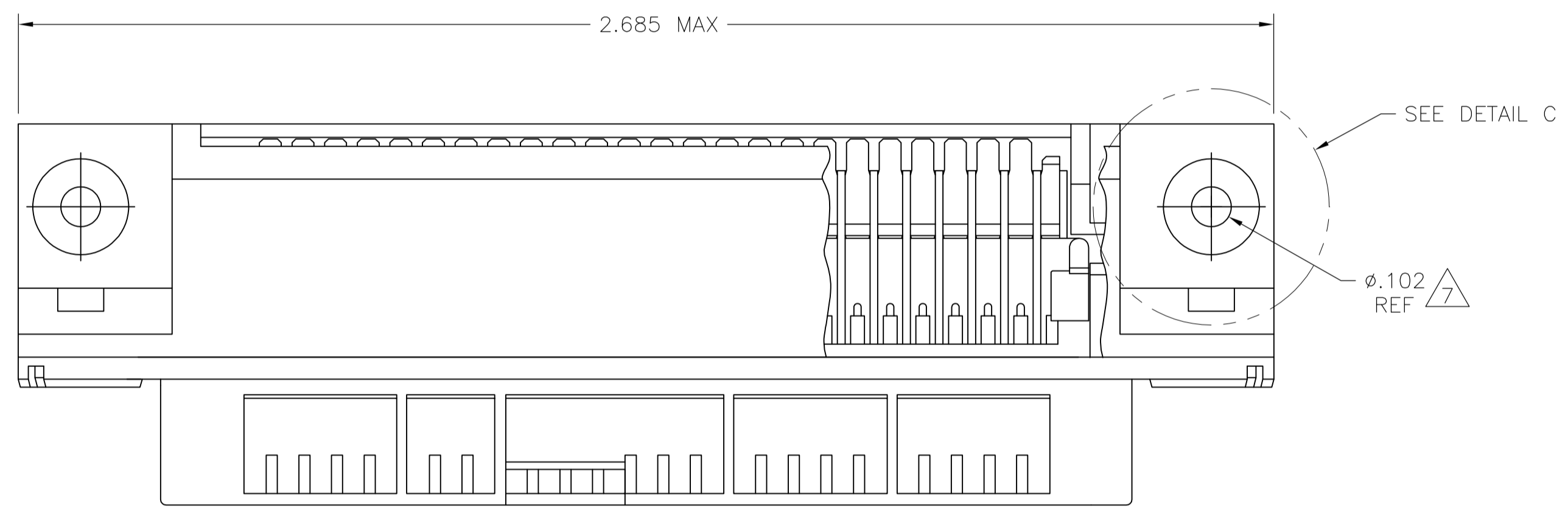


LOC		DIST		REVISIONS			
GP	00	REV	DATE	BY	CHK	APP	REV
		D	08APR08	BM	WM		
		D1	19JAN10	KK	HMR		



- $\Delta 1$ MATERIAL:
HOUSING, BRACKET, ADAPTER COMB AND PLATE: THERMOPLASTIC, BLACK, 94V-0 RATED.
TERMINALS - HIGH STRENGTH COPPER ALLOY PLATED WITH EITHER .000030 MIN GOLD PLATE OR GOLD FLASH OVER PALLADIUM NICKEL PLATE, .000030 MIN TOTAL ON MATING SURFACE. .000120 MIN TIN PLATE ON TAILS. ALL OVER .000050 MIN NICKEL UNDERPLATE OVER ENTIRE TERMINAL.
- $\Delta 2$ TERMINAL 1 IS LOCATED IN THIS ROW FOR 5552742-1 & -3.
- $\Delta 3$ TERMINAL SUPPORT PLATE CLEARANCE FOR TERMINAL STRAIN RELIEF AND FLUX REMOVAL.
- $\Delta 4$ PANEL THICKNESS RANGE: .062 MAX.
- $\Delta 5$ TERMINAL 1 IS LOCATED IN THIS ROW FOR 5552742-2.
- $\Delta 6$ DETAILS A & B ARE VIEWED FROM MATING SIDE OF RECEPTACLE ASSEMBLY.
- $\Delta 7$ FOR USE WITH A NO. 4 BT TYPE SELF TAPPING SCREW.
- $\Delta 8$ OBSOLETE PARTS: OBSOLETE CIS STREAMLINING PER D.RENAUD/D.SINISI



TYPE OF MOUNTING	DESCRIPTION	PART NUMBER
$\Delta 8$ OBSOLETE THRU BOLT SEE DETAIL C	SEE DETAIL A $\Delta 2$	5552742-3
OBSOLETE SELF-TAPPING $\Delta 7$	SEE DETAIL B $\Delta 5$	5552742-2
SELF-TAPPING $\Delta 7$	SEE DETAIL A $\Delta 2$	5552742-1

THIS DRAWING IS A CONTROLLED DOCUMENT.

DIMENSIONS: INCHES	TOLERANCES UNLESS OTHERWISE SPECIFIED:	0 PLC ± -	1 PLC ± -	2 PLC ± -	3 PLC ± -	4 PLC ± -	ANGLES ± -
--------------------	--	-----------	-----------	-----------	-----------	-----------	------------

DIN 15	10AUG05	McMaster	Tyco Electronics Corporation
CHK W. MILLHIMES	10AUG05	W. MILLHIMES	Harrisburg, PA 17105-3608
APP'D M. WALMSEY	10AUG05	M. WALMSEY	

NAME: ASSEMBLY RECEPTACLE, 36 POSITION, RIGHT ANGLE, PRINTED CIRCUIT BOARD (CHAMP-LOK, THRU-BOLT & SELF-TAPPING)

SIZE: A1

WEIGHT: -

CAGE CODE: 00779

DRAWING NO: 5552742

CUSTOMER DRAWING

SCALE: 2:1

SHEET: 1 OF 1

REV: D1

Mouser Electronics

Authorized Distributor

Click to View Pricing, Inventory, Delivery & Lifecycle Information:

[TE Connectivity:](#)

[5552742-1](#)