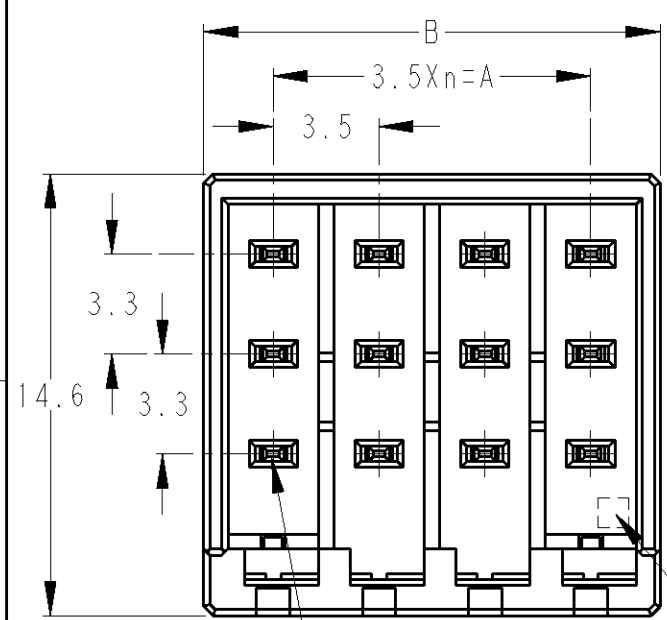
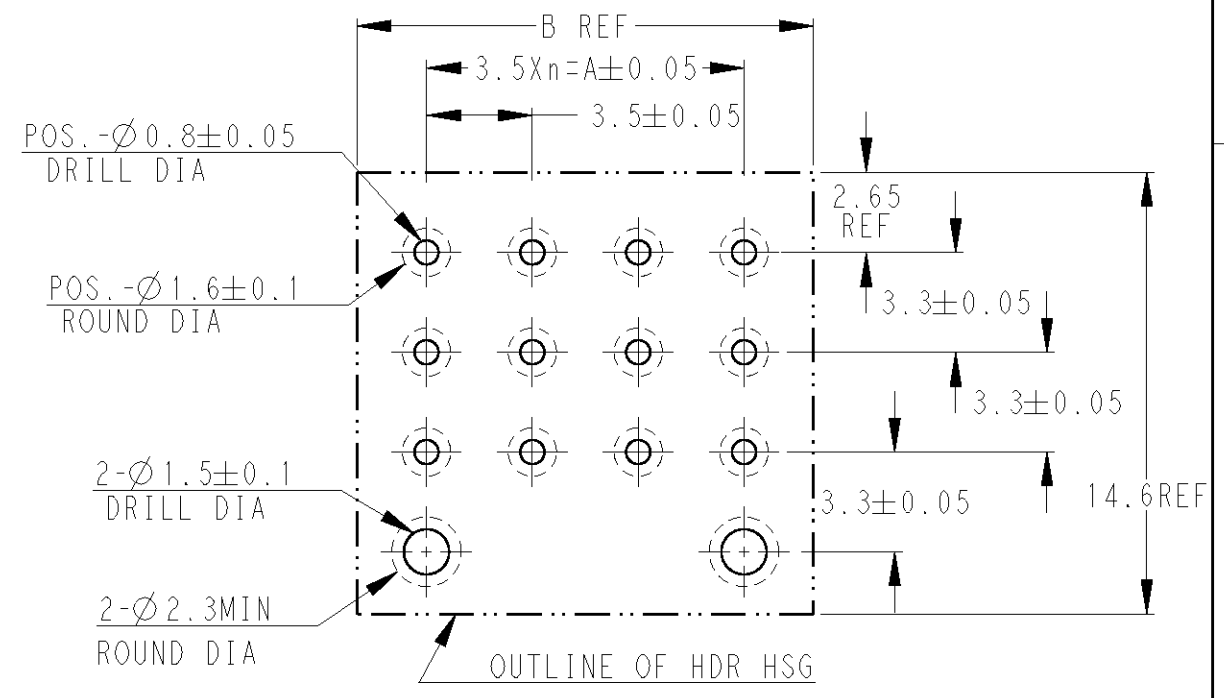
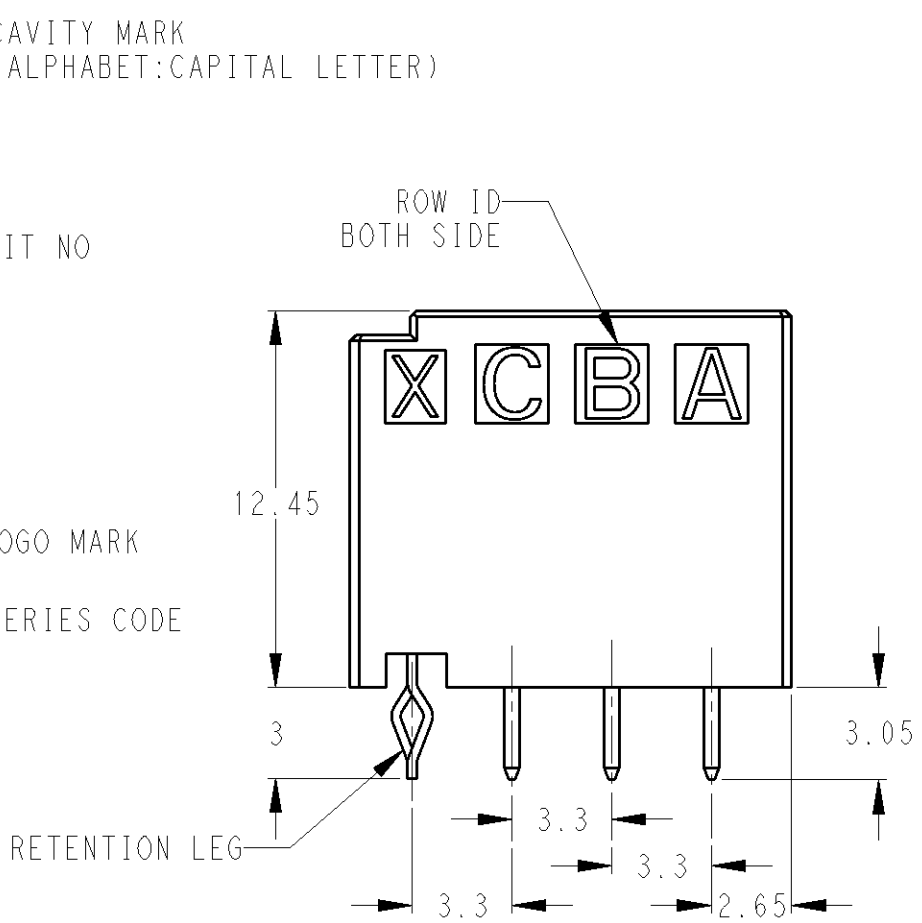
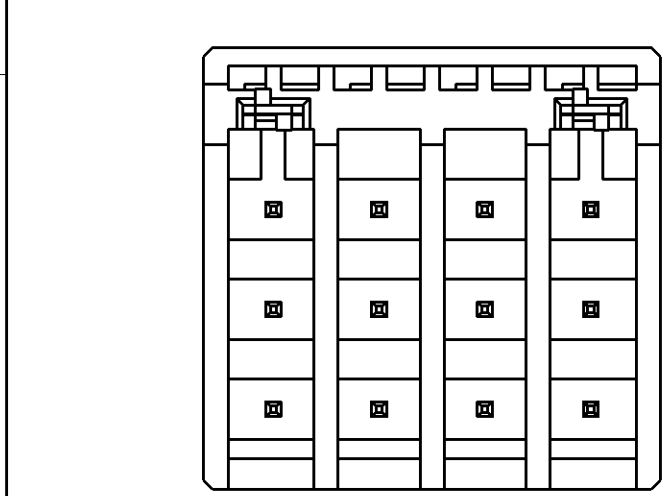
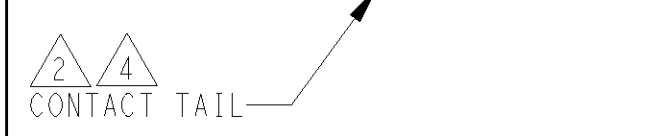
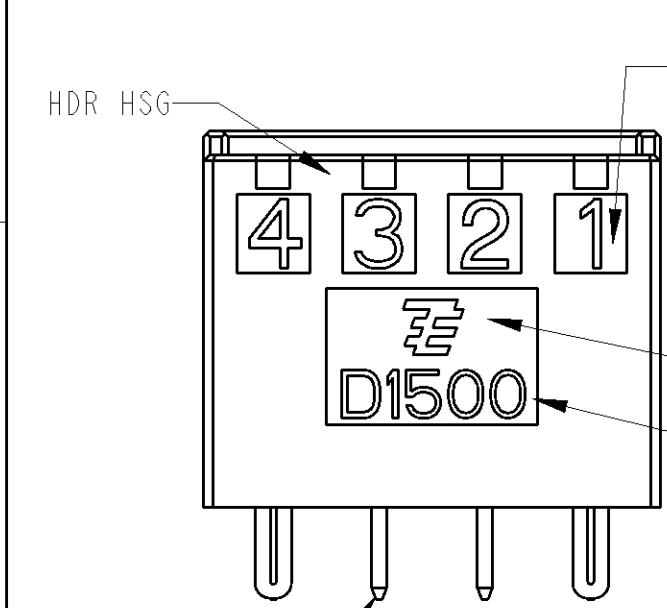
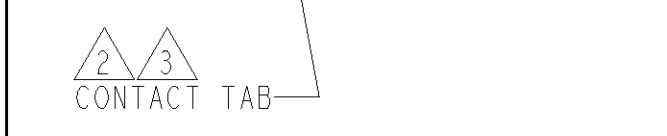


LOC	DIST	REVISIONS			
P	LTR	DESCRIPTION	DATE	DWN	APVD
J		B1	REVISED	30SEP2010	HMR TM
		C	ITEM ADDITION	08JUN2011	M.M N.Y



- 1. MATERIAL: HOUSING: GLASS FILLED THERMO PLASTIC POLYESTER(94V-0), COLOR: BLACK
CONTACT: COPPER ALLOY
RETENTION LEG: PRE-TIN COPPER ALLOY
- 2. FINISH(ALL OVER): NICKEL PLATED 0.00127mmMIN
- 3. FINISH(CONTACT AREA): GOLD PLATED 0.00038mmMIN OVER NICKEL
- 4. FINISH(CONTACT TAIL): TIN PLATED 0.002mmMIN OVER NICKEL



RECOMMEND PC BOARD HOLE PATTERN : CONNECTOR MOUNT SIDE (NOT ACCUMULATE TOLERANCE)
 PC BOARD THICKNESS : 1.0~1.6±0.1

FOR 6-12POS

12	3	10.5	15.1	1-1827581-4
9	2	7.0	11.6	1-1827581-3
6	1	3.5	8.1	1-1827581-2
3	-	-	4.6	1-1827581-1
POS	n	A	B	PART NO

AS SHOWN 12POS:
 1-1827581-4

THIS DRAWING IS A CONTROLLED DOCUMENT.		DWN T.KUDO 12JAN2005	TE Connectivity		
DIMENSIONS: mm		CHK D.MITSUGI 24AUG2005			
TOLERANCES UNLESS OTHERWISE SPECIFIED: ±0.3, ±3°		APVD D.MITSUGI 24AUG2005			
0 PLC ± 1 PLC ± 2 PLC ± 3 PLC ± 4 PLC ± ANGLES ±		PRODUCT SPEC 108-78268			
MATERIAL 1		FINISH 2 3 4	NAME DYNAMIC 1500T 3.5mm PITCH HDR ASSY, V-TYPE 3-12P		
		APPLICATION SPEC 114-5377	SIZE A3	CAGE CODE 00779	DRAWING NO C=1827581
		WEIGHT	RESTRICTED TO		
		CUSTOMER DRAWING	SCALE 4:1	SHEET 1 OF 2	REV C

4

3

2

1

THIS DRAWING IS UNPUBLISHED.

RELEASED FOR PUBLICATION

2005

© COPYRIGHT 2005

BY Tyco Electronics Japan G.K.

ALL RIGHTS RESERVED.

LOC
J

DIST

P

LTR

REVISIONS

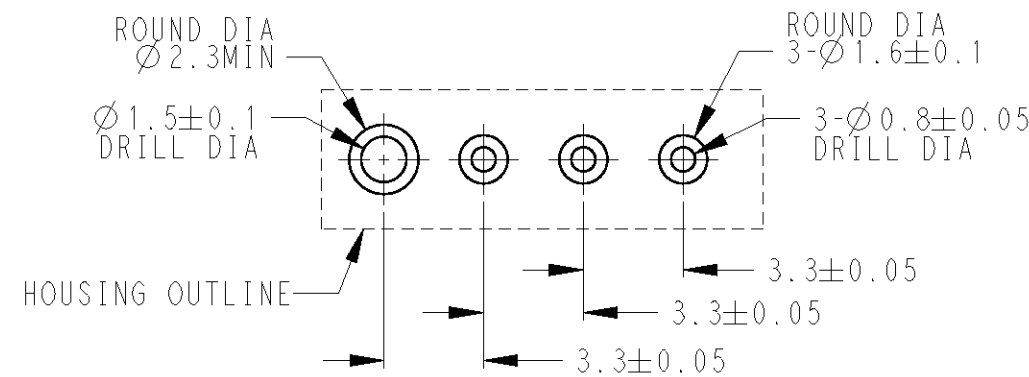
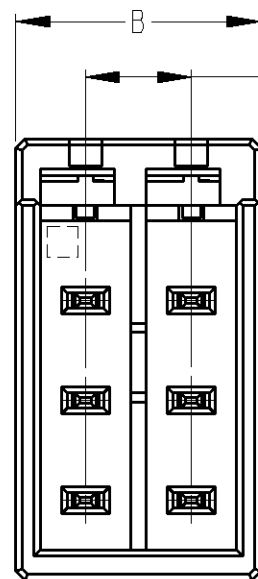
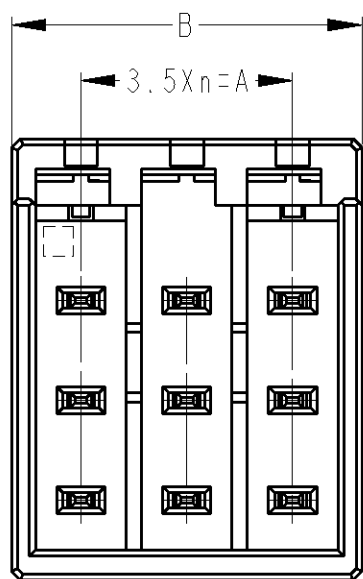
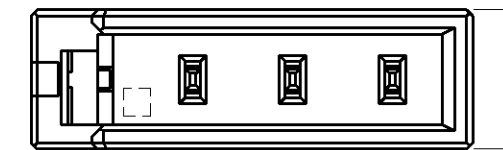
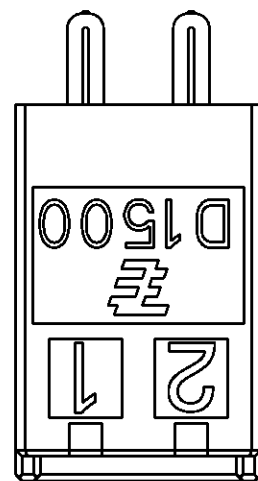
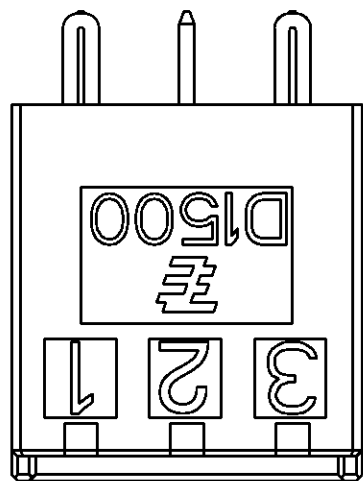
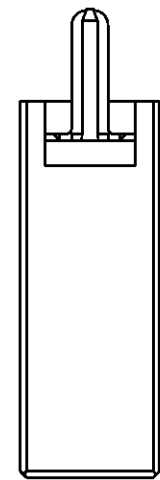
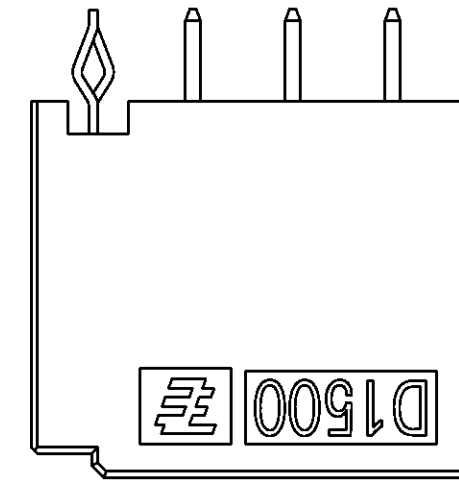
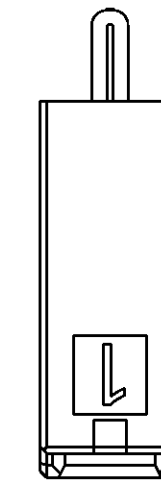
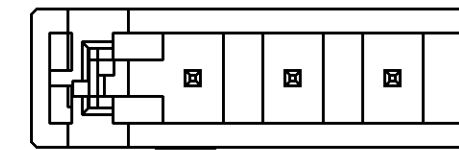
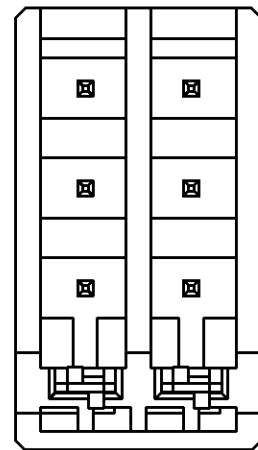
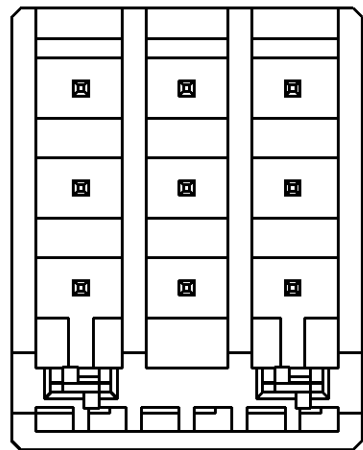
DESCRIPTION

DATE

DWN

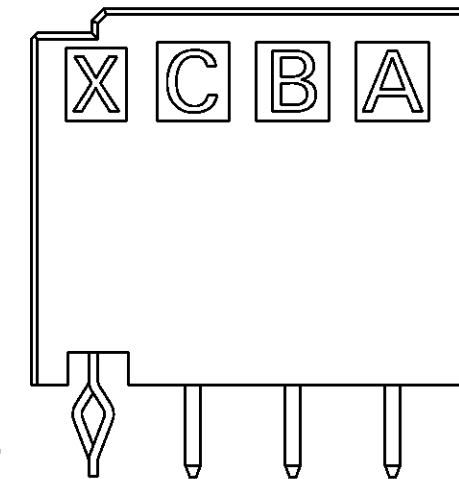
APVD

SEE SHEET 1



RECOMMEND PC BOARD HOLE PATTERN : CONNECTOR MOUNT SIDE (NOT ACCUMULATE TOLERANCE) PC BOARD THICKNESS : 1.0~1.6±0.1

FOR 3POS



3POS: 1-1827581-1

9POS: 1-1827581-3

6POS: 1-1827581-2

THIS DRAWING IS A CONTROLLED DOCUMENT.		DWN T. KUDO	12JAN2005		TE Connectivity	
DIMENSIONS: mm		CHK D. MITSUGI	24AUG2005		NAME DYNAMIC 1500T 3.5mm PITCH HDR ASSY, V-TYPE 3-12P	
TOLERANCES UNLESS OTHERWISE SPECIFIED: ±0.3, ±3°		APVD D. MITSUGI	24AUG2005	SIZE A3	CAGE CODE 00779	DRAWING NO C=1827581
0 PLC ±		PRODUCT SPEC 108-78268		RESTRICTED TO		
1 PLC ±		APPLICATION SPEC 114-5377		SCALE 4:1	SHEET 2	OF 2
2 PLC ±		WEIGHT		REV C		
3 PLC ±		CUSTOMER DRAWING				
4 PLC ±						
ANGLES ±						
FINISH -						