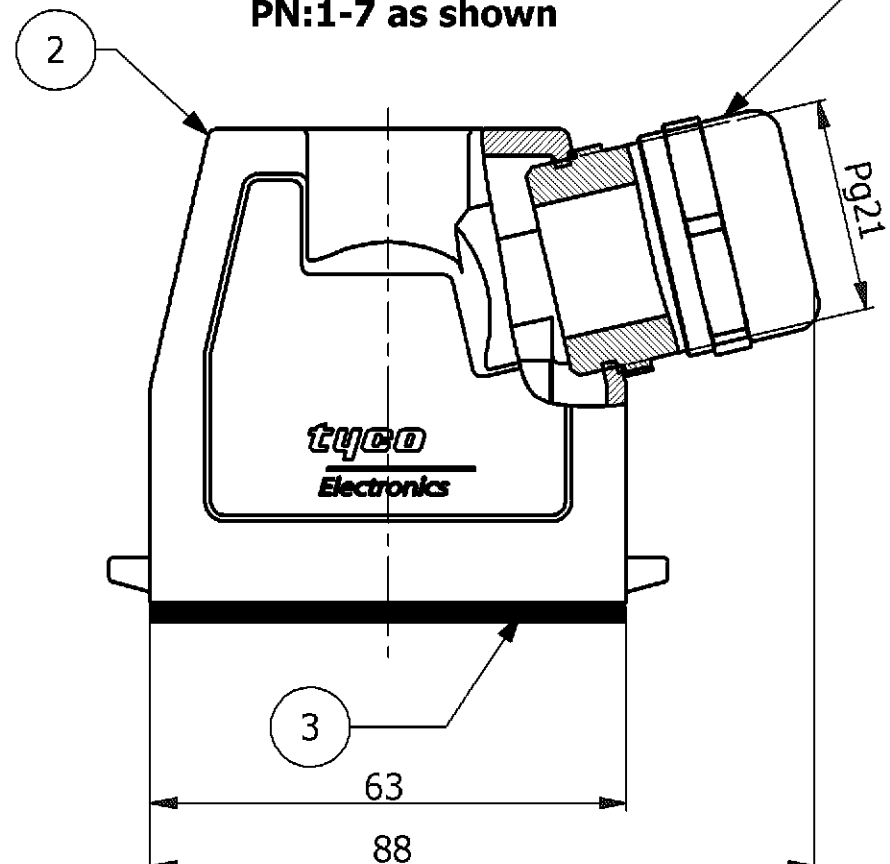
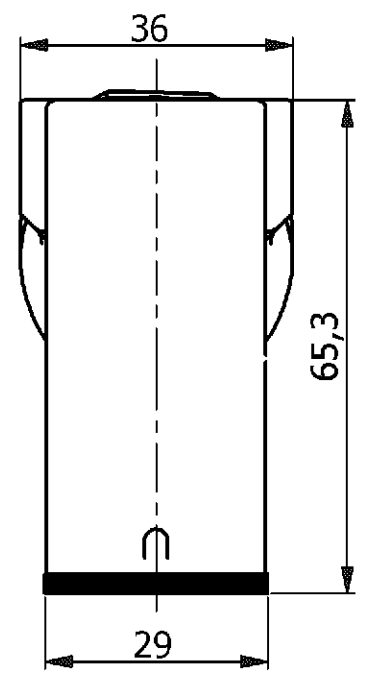


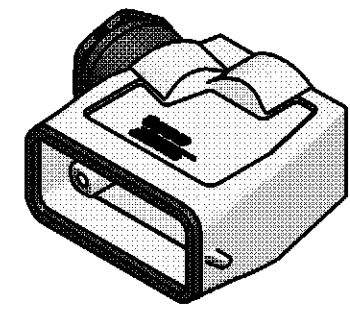
PN:1-7 as shown



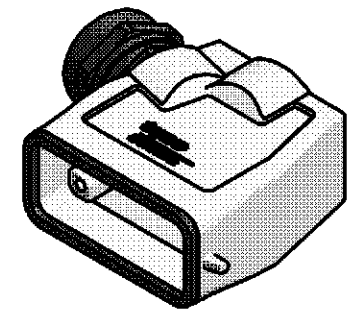
PN:2-7 as shown

NOTES

- 1 PACKAGING QUANTITY: 5 PIECES PER BOX
- 2 MATERIAL:HOUSING:ALUMINIUM DIE CAST ALLOY
SEALS:NEPORENE
- 3 SURFACE:VARNISH GREY
ALUMINIUM OXIDE +
VARNISH BLACK
- 4 VARNISH ON THE INSIDE NOT NECESSARY



PN:1-7
Ordering Text:
HD.15.STS.1.21



PN:2-7
Ordering Text:
HD-K.15.STS.1.21

1	-	Gland fitting	Brass	Nickel Plated	Blue	5	Pg 21
-	1	Cable fitting Round	Brass	Nickel Plated	Blue	4	Pg 21
1	1	Profile seal	Neoprene	-	Black	3	-
1	-	Hood	Aluminium	Aluminium oxide	Black	2	-
-	1	Hood	Aluminium	-	Grey	1	-
2-7	1-7	DESCRIPTION	MATERIAL	SURFACE	COLOR	ITEM NO.	REMARKS

THIS DRAWING IS A CONTROLLED DOCUMENT FOR AMP INCORPORATED.
IT IS SUBJECT TO CHANGE AND THE CONTROLLING ENGINEERING
ORGANIZATION SHOULD BE CONTACTED FOR THE LATEST REVISION.
DIESES ZEICHNUNGSDOKUMENT WIRD DURCH AMP INCORPORATED KONTROLLIERT.
ÄNDERUNGEN, DIE DEM TECHNISCHEN FORTSCHRITT DIENEN, SIND VORBEHALTEN.
DEN JEWEILS LETZTGÜLTIGEN ÄNDERUNGSSTAND ERFAHREN SIE AUF ANFRAGE.

DIMENSIONS: DIMENSIONEN: mm	TOLERANCES UNLESS OTHERWISE SPECIFIED: ALLGEMEINTOLERANZEN n. ISO 8015 - n. ISO 2768 - mH-E n. DIN 16901- 140 0 PLC # 1 PLC # 2 PLC # 3 PLC # ANGLES / WINKEL #
MATERIAL	FINISH / OBERFLÄCHE / FARBE
2	3

DWN	4/20/2006	tyco Electronics		Tyco / Electronics AMP GmbH D - 53819 Neunkirchen
CHK	4/20/2006	NAME		
APVD	4/20/2006	HOOD		
PRODUCT SPEC. PRODUKTSPEZ.	108-74001;-74003	HD.15.STS.1.21		
APPLICATION SPEC. VERARBEITUNGSSPEZ.	114-74004	SIZE	CAGE CODE	DRAWING NO ZEICHNUNGS-NR.
WEIGHT GEWICHT	-	A3	00779	1102428
CUSTOMER DRAWING / KUNDENZEICHNUNG		SCALE MASSSTAB	1:1	SHEET BLATT 1 OF VON 1 REV. B1

Mouser Electronics

Authorized Distributor

Click to View Pricing, Inventory, Delivery & Lifecycle Information:

[TE Connectivity:](#)

[1-1102428-7](#)