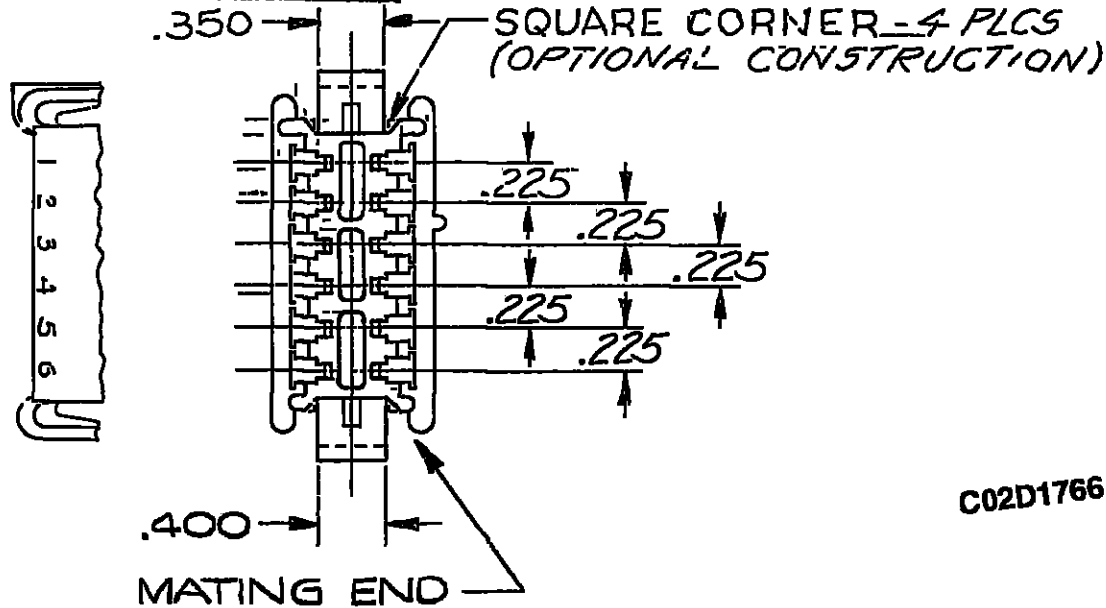


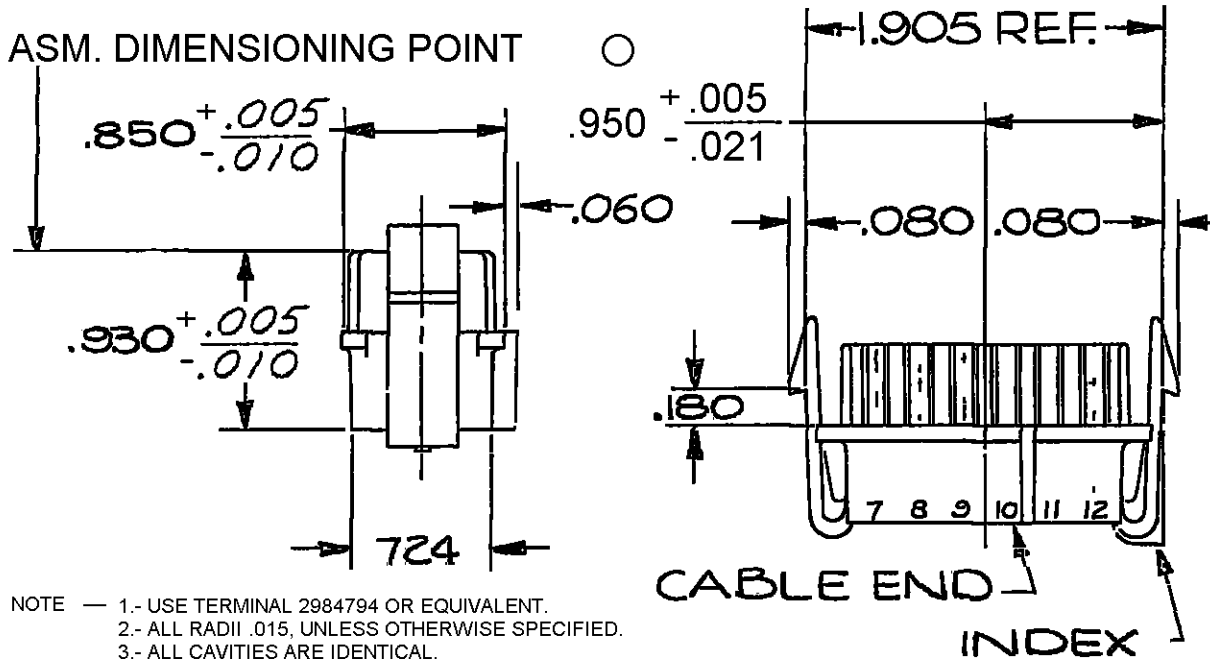
PACKARD ELECTRIC DIVISION
 GENERAL MOTORS CORPORATION
 WARREN, OHIO

DO NOT SCALE

THIS DRAWING AND DESIGN HEREON CONSTITUTES A PROPRIETARY DESIGN OF PACKARD ELECTRIC DIVISION AND IS NOT TO BE DUPLICATED OR REPRODUCED WITHOUT AUTHORITY OF PACKARD ELECTRIC DIVISION



C02D1766



- NOTE —
- 1.- USE TERMINAL 2984794 OR EQUIVALENT.
 - 2.- ALL RADII .015, UNLESS OTHERWISE SPECIFIED.
 - 3.- ALL CAVITIES ARE IDENTICAL.
 - 4.- LOCKING FEATURES ARE IDENTICAL, EXCEPT AS SHOWN.
 - 5.- DIMENSIONS ARE TO FACE OF VIEW SHOWN, UNLESS OTHERWISE INDICATED.
 - 6.- ANGULAR TOLERANCE :+/- 2°.
 - 7.- MATERIAL RECYCLING CODE PER ISO 11469. (0.090) X (0.003) RAISED CHARACTERS AS SHOWN TO BE LOCATED ON ANY EXTERIOR SURFACE. OPTIONAL CONSTRUCTION TO BE NO MATERIAL RECYCLING CODE.
 - 8.- (0.090) X (0.003) RAISED DELPHI CORPORATE BRAND TO BE LOCATED ON ANY EXTERIOR SURFACE, PREFERABLY VISIBLE AT FINAL ASSEMBLY. OPTIONAL CONSTRUCTION TO BE "PED" OR NO LOGO.

PART NO **2984792**

DATE	SYM	REVISION RECORD	C/N NO
19NO85	L	ALL PREVIOUS	
		DATA REMOVED;	
		MAT'L. SPEC. WAS	
		POLYP. (BLACK)	102396
24NO87	-	TERM. NOTE ADDED	116529
13DE05	L2	.850 +.005/- .010 WAS .850,	
		.930 +.005/- .010 WAS .930,	
		.950 +.005/- .015 WAS .950,	
		ADDED NOTES & MAT'L SPEC	
		WAS POLYPROPYLENE	
		COPOLYMER (BLK)	275351
16FE06	L3	.950 +.005/- .021 WAS .950 +.005/- .015	277563

CODE NO **6900**
 TOLERANCE UNLESS OTHERWISE SPECIFIED
 DECIMAL ± .005
 FRACTIONAL ±
 ANGULAR ±

DWG. DATE **4-8-64** SCALE **NONE** DR **R PARRIS**
 ROUTING DEPT OUTST
 REFERENCE
2984792 - D SIZE
 MATERIAL SPEC **M2097001 PP IM BLK** CODE NO
 NAME **CONN 12 WAY P/C BOW**

PART NO **2984792** SIZE **A**
OUTLINE DWG

Mouser Electronics

Authorized Distributor

Click to View Pricing, Inventory, Delivery & Lifecycle Information:

[Aptiv:](#)

[02984792](#)