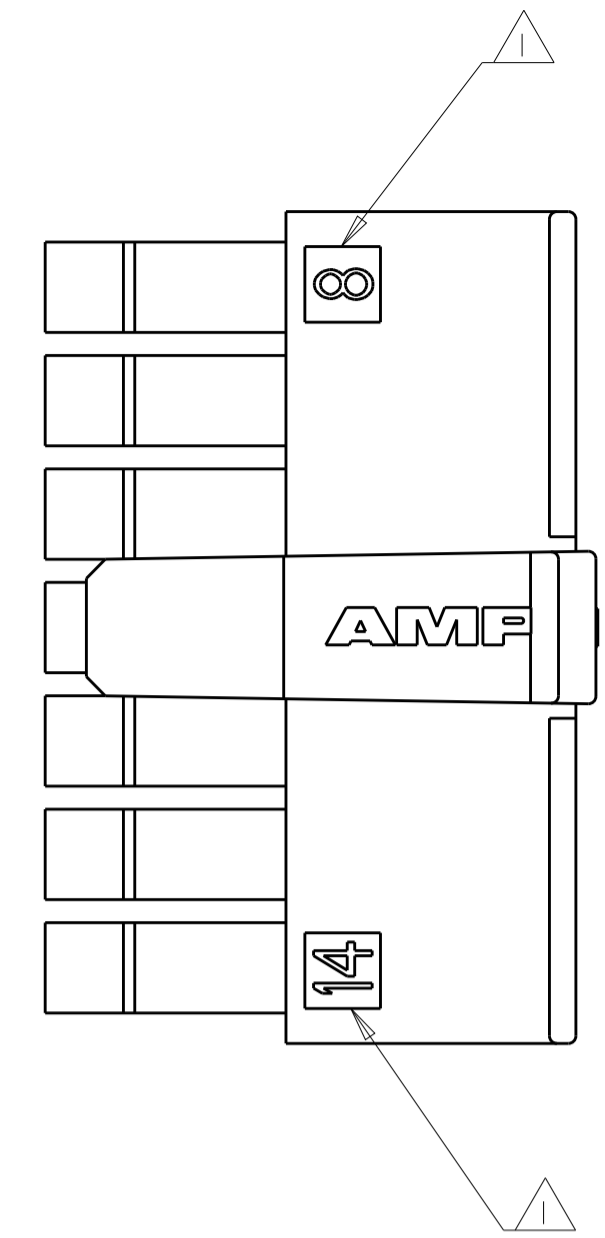
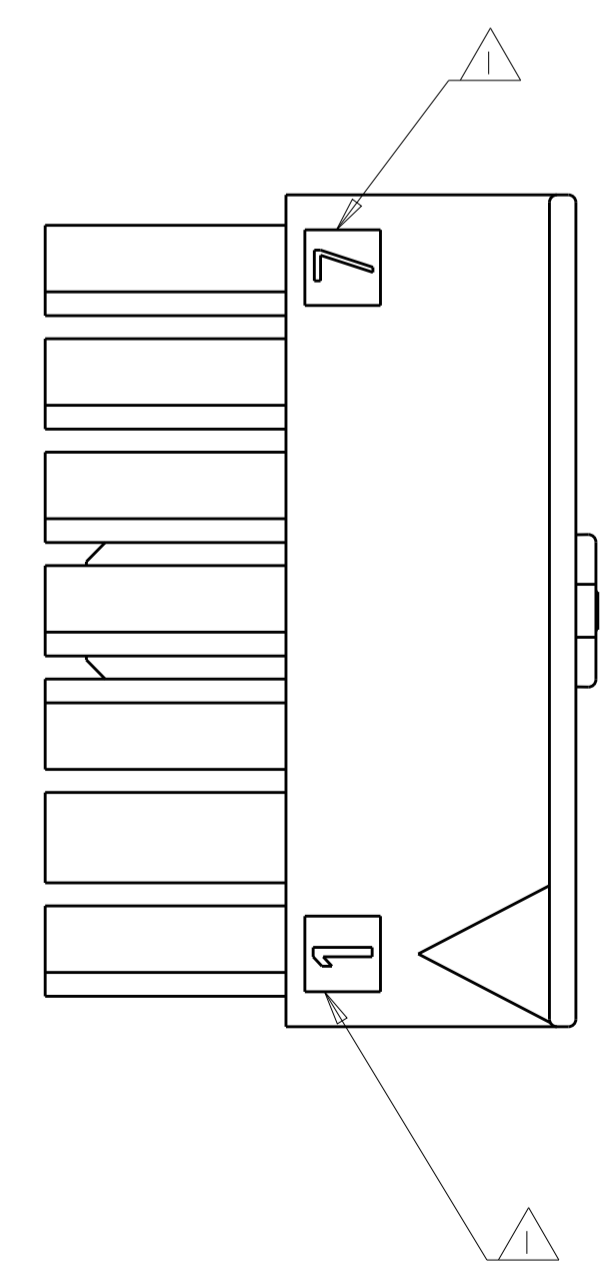
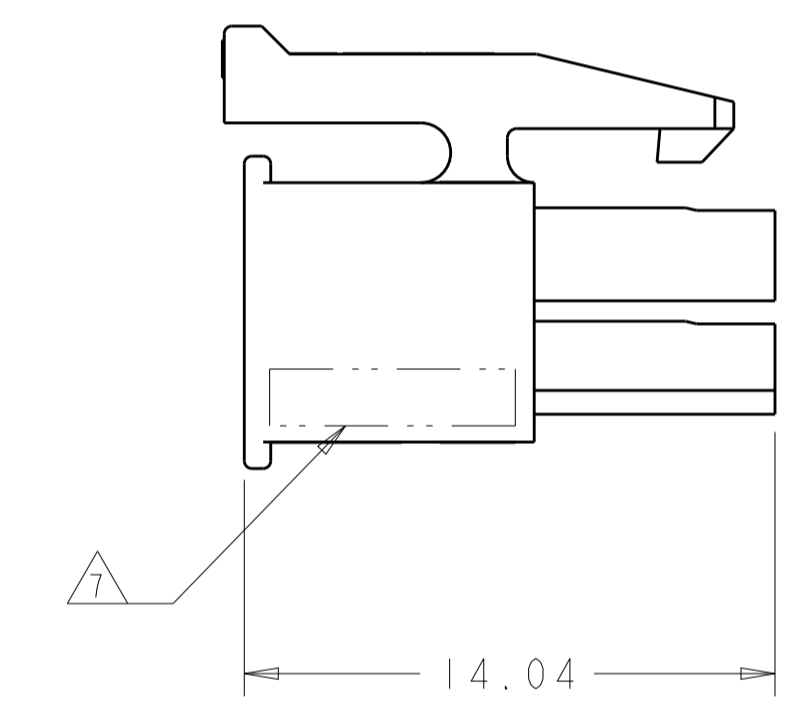
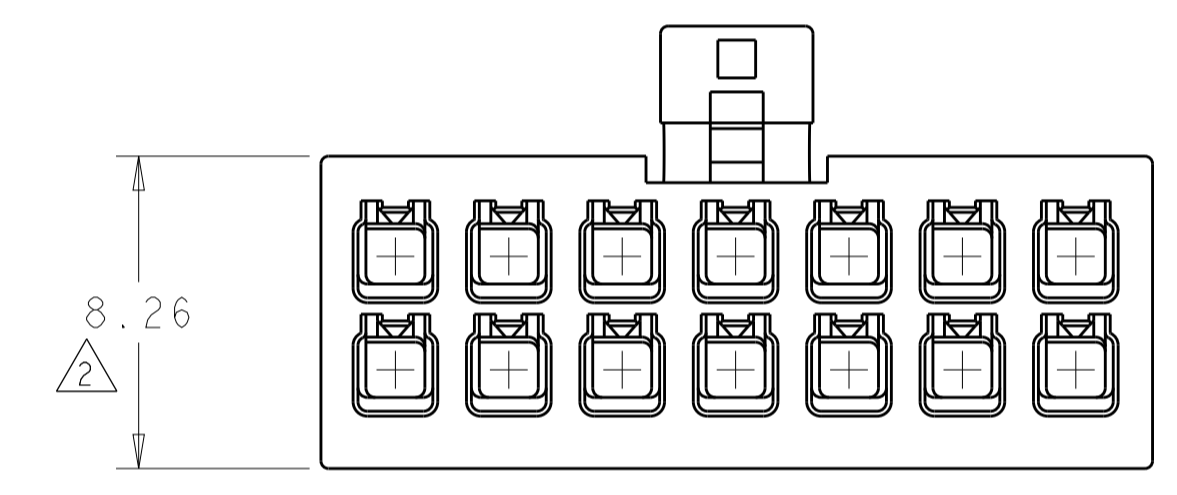
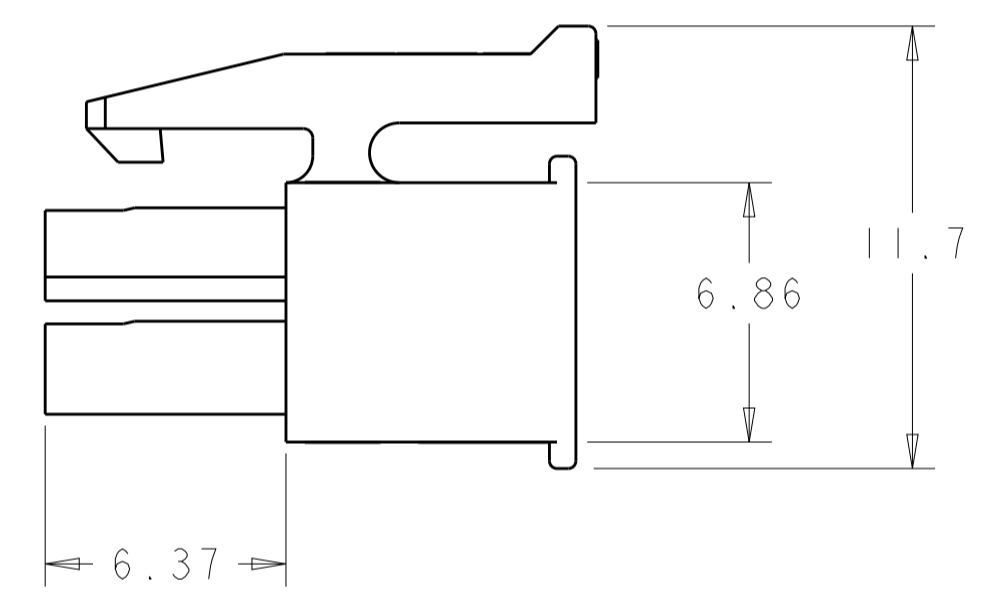
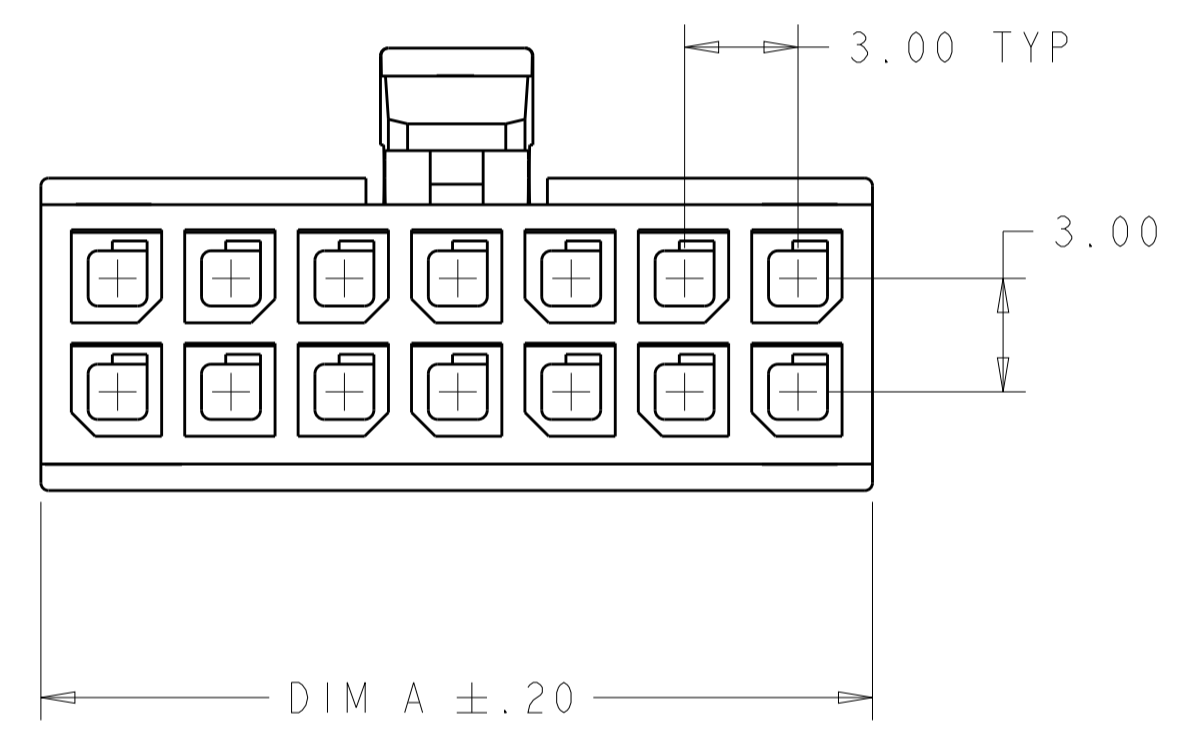


LOC	DIST	REVISIONS					
CM	53	P	LTN	DESCRIPTION	DATE	DWN	APVD
		F		REVISED PER ECR-16-013818	2MAR2017	CX	DZ
		F1		REVISED PER ECO-17-007352	10MAY2017	CX	DZ
		F2		REVISED PER ECR-18-004185	15MAY2018	JB	DZ
		F3		REVISED PER ECR-18-011946	10SEP2018	JB	DZ



- ① CIRCUIT IDENTIFIER, LOCATED APPROXIMATELY AS SHOWN.
- ② DIMENSION ONLY 7.56 ON 2 POSITION.
- ③ MATERIAL PA66/6 UL94-V0.COLOR-BLACK
- ④ PRELIMINARY MATERIAL PA6, UL94-V0
- ⑤ MATERIAL PA66 UL94-V0, GW .COLOR-NATURAL
- ⑥ PRELIMINARY PART NOT RELEASED FOR PRODUCTION.
- ⑦ MATERIAL ID ">PA<" LOCATED IN APPROX AREA SHOWN, APPROX 0.01 HIGH.



⑤ ⑥	31.00	20	5-794617-0
	37.00	24	5-794617-4
	25.00	16	4-794617-6
	22.00	14	4-794617-4
	19.00	12	4-794617-2
UL-V0 ⑤ GWEPT 750°C NO FLAME	16.00	10	3-794617-0
	13.00	8	3-794617-8
GWF1 850°C NO FLAME	10	6	3-794617-6
	<del>7</del>	<del>4</del>	<del>3-794617-4</del>
OBSOLETE	<del>4</del>	<del>2</del>	<del>3-794617-2</del>
④ ⑥	13.00	8	2-794617-8
③	37.00	24	2-794617-4
	34.00	22	2-794617-2
	31.00	20	2-794617-0
	28.00	18	1-794617-8
	25.00	16	1-794617-6
	22.00	14	1-794617-4
	19.00	12	1-794617-2
	16.00	10	1-794617-0
	13.00	8	794617-8
	10.00	6	794617-6
	7.00	4	794617-4
	③ ②	4.00	2
REMARK	DIM A	NO. OF POS.	PART NUMBER

THIS DRAWING IS A CONTROLLED DOCUMENT.

DWN: K. WHITAKER 14OCT1999  
 CHK: K. COBLE 14OCT1999  
 APVD: K. COBLE 14OCT1999

TE Connectivity

RECEPTACLE HOUSING,  
 2 TO 24 POSITION, DUAL ROW,  
 MICRO MATE-N-LOK™

ITEM: 0 PLC ±.01  
 1 PLC ±0.26  
 2 PLC ±0.26  
 3 PLC ±.01  
 4 PLC ±.01  
 ANGLES ±.030

MATERIAL: ③ ④ ⑤  
 FINISH: -

SIZE: A1  
 CAGE CODE: 114-13000  
 DRAWING NO: 00779  
 WEIGHT: -

CUSTOMER DRAWING

SCALE: 5:1  
 SHEET: 1 OF 1  
 REV: F3