



M39029/59
852-006
Size 8 Coaxial Socket

D38999
Ser. I, III, IV

Size #8 Coaxial Socket Contacts for MIL-DTL-38999 Series I, III and IV Connectors



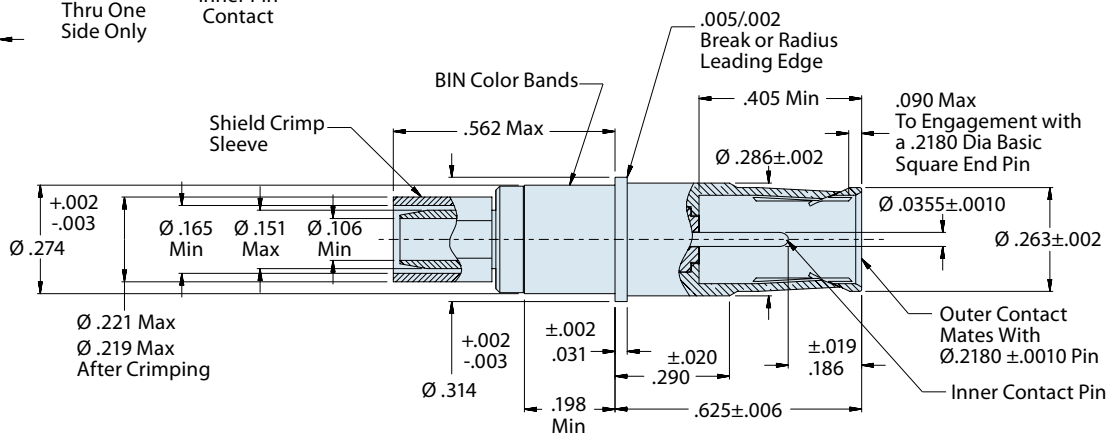
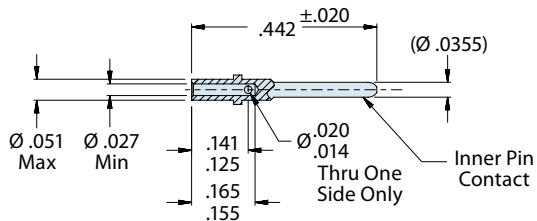
These #8 socket contacts accept 95 ohm coaxial cable. Inner contact is rated at 1 amp, the outer contact 12 amps. DWV rating is 1,300 Vac rms sea level, 250 Vac at 50,000 feet. Contacts are packaged individually and shipped unassembled with instruction sheet. One contact consists of outer contact, fluorocarbon dielectric, inner contact and shield crimp sleeve. Inner and outer contacts are gold-plated copper alloy. Approved to SAE AS39029. 5000 megohm insulation resistance. Mates with: M39029/60.

B

Type	Cable Accommodation	Part Number	Military Part Number	Color Band		
				1st	2nd	3rd
Socket	M17/095-RG180	852-006-08-366	M39029/59-366	Orange	Blue	Blue

Insertion Tool	Extraction Tool	Insulator Expander Tool (crimp only)
None Required - Hand Installed	MIL-I-81969/14-06	11-10134

Center Contact Tooling		Shield Crimp Sleeve Tooling	
Basic Crimping Tool	Contact Positioner	Basic Crimping Tool	Die Part or Identifying No.
M22520/2-01	M22520/2-31	M22520/5-01 M22520/10-1	M22520/5-05 Die Closure B M22520/10-07 Die Closure B



Material and Finish

Contact Body: Copper Alloy/Gold Plated
Center Contact: Copper Alloy/Gold Plated
Ferrule: Copper Alloy/Gold Plated
Insulator: Teflon

Mouser Electronics

Authorized Distributor

Click to View Pricing, Inventory, Delivery & Lifecycle Information:

[Glenair:](#)

[852-006-08-366](#)