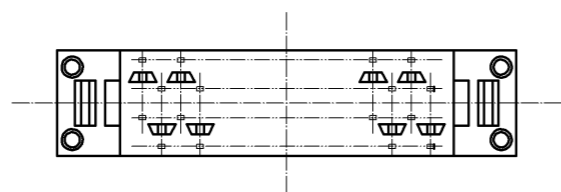
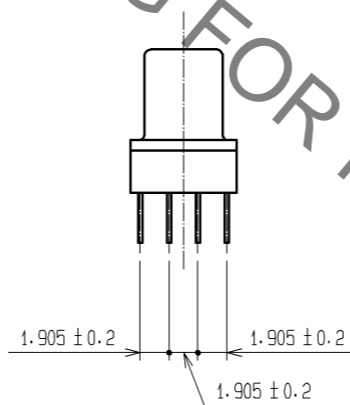
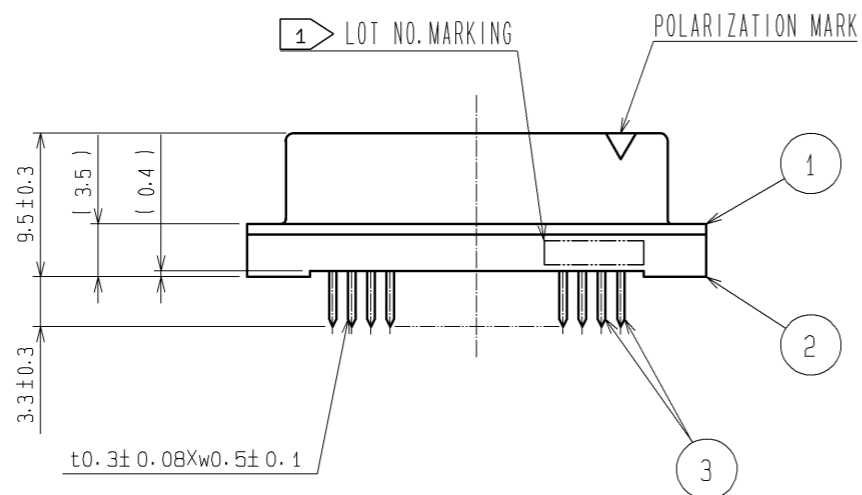
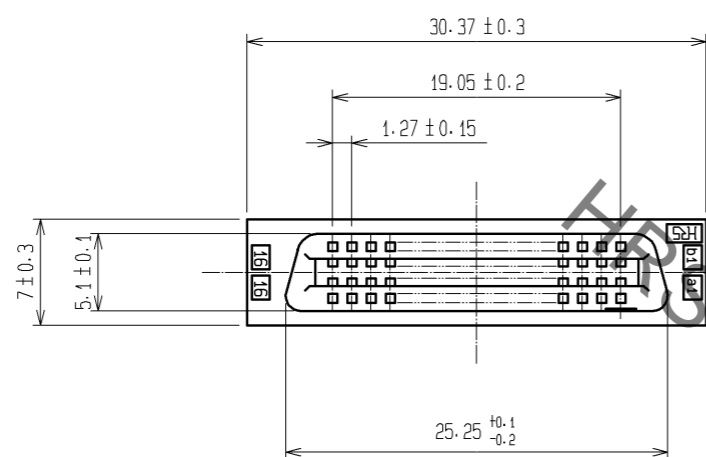
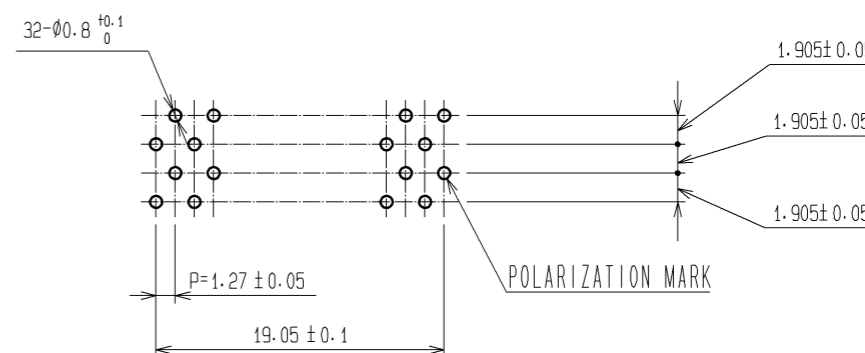


Nov.1.2020 Copyright 2020 HIROSE ELECTRIC CO., LTD. All Rights Reserved.  
In case of consideration for using Automotive equipment / device which demand high reliability, kindly contact our sales window correspondents.



RECOMMENDED PC BOARD HOLE PATTERN (MOUNTING SIDE)



NOTES 1. LOT NO. MARKING SIDE SHALL BE OPTIONAL.  
2. THE DIMENSIONS IN PARENTHESES ARE FOR REFERENCE.

1, 2	POLYAMIDE	BLACK, UL94V-0	3	PHOSPHOR BRONZE	CONTACT AREA : GOLD 0.2µm min. DIP AREA : TIN-PLATING 2µm min. UNDER PLATING : NICKEL 2µm min.			
NO.	MATERIAL	FINISH, REMARKS	NO.	MATERIAL	FINISH, REMARKS			
UNITS mm		SCALE 2 : 1		COUNT	DESCRIPTION OF REVISIONS	DESIGNED	CHECKED	DATE
		HIROSE ELECTRIC CO., LTD.	APPROVED : HS. OKAWA	07.08.08	DRAWING NO.	EDC3-083180-21		
			CHECED : HS. OZAWA	07.08.07	PART NO.	FX2C-32S-1.27DSA(71)		
			DESIGNED : KY. NAKAMURA	07.08.07	CODE NO.	CL572-2402-0-71		
			DRAWN : TP. MATSUMOTO	07.08.06		1/1		