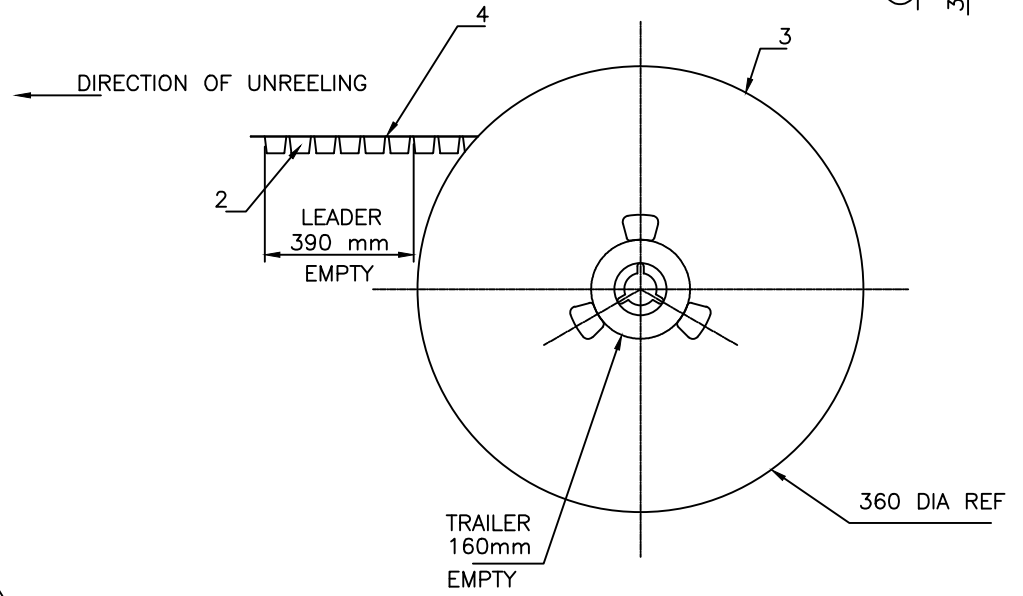
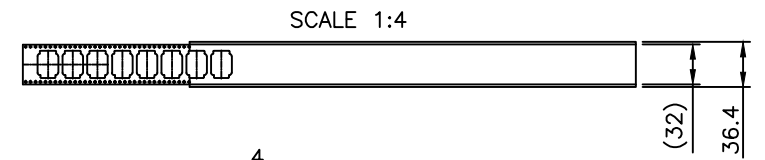
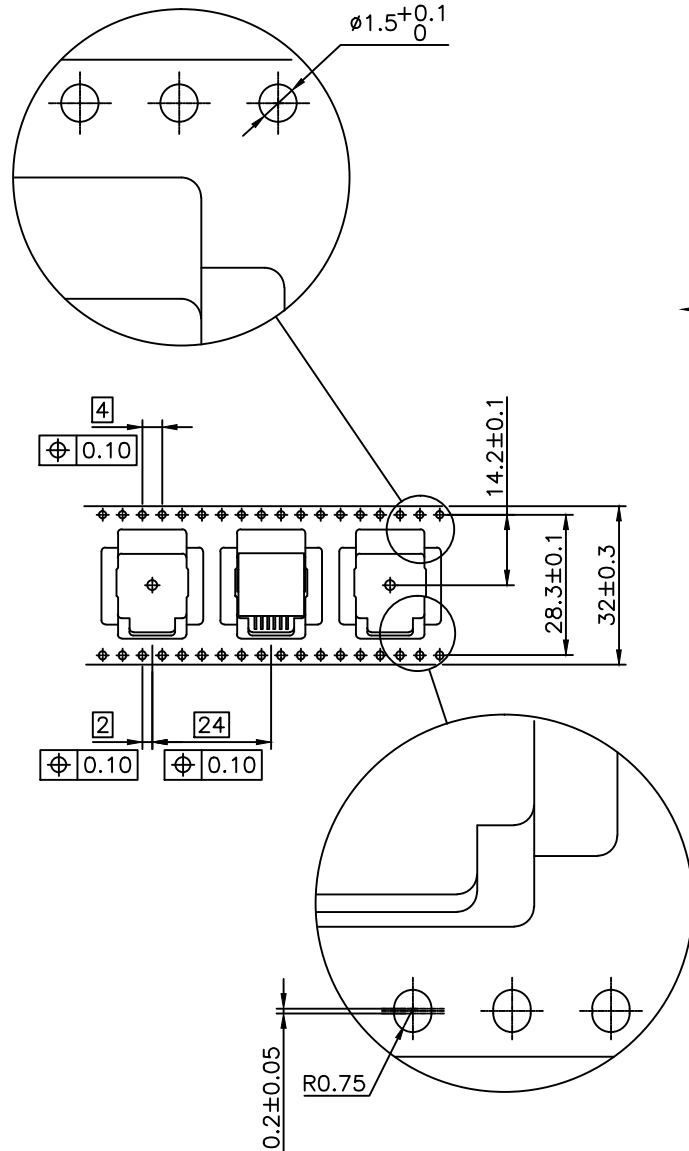


PRODUCT NUMBER
SEE SHEET 1

LTR	PART NAME	QTY
1	PRODUCT	230
2	TAPE	1
3	REEL	1
4	COVER TAPE	1

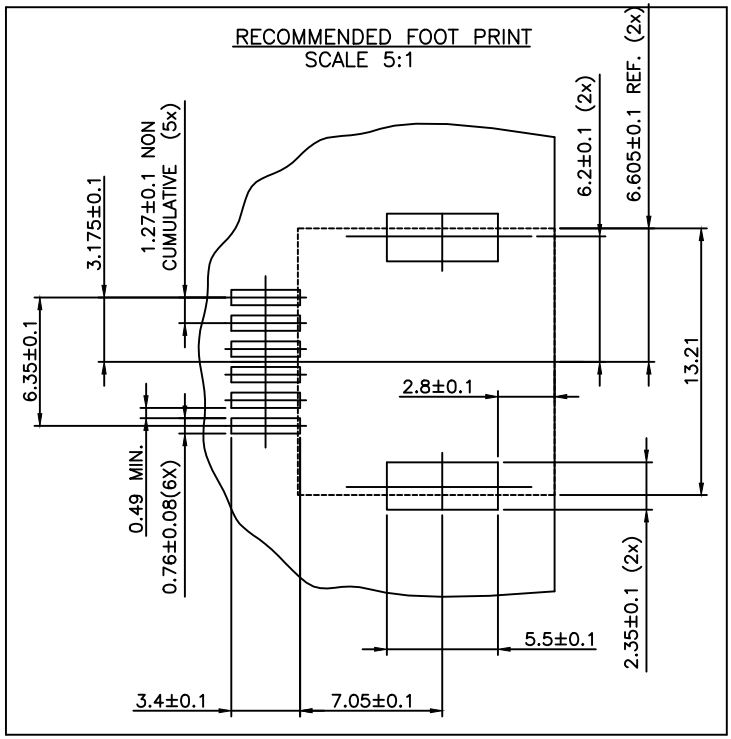


1- IN ACCORDANCE WITH EIA-481 AND IEC 296-3

CUSTOMER COPY FOR REFERENCE ONLY									
mat'l. code			surface ISO 1302 ✓		tolerance ISO 406 ISO 1101		projection mm	product family MOD-JACK	
ltr			ecn no		dr		date		title
D			F80620		DLE		98.11.26		SMT RA JACK
E			F06-0240		DLE		06.07.18		6 POS. OUTSIDE
sheet index			revision sheet		dr		D LEGRAND		scale 1:1
					engr		P NIZZI		FCJ
					chr		D LE		dwg no
					appd		P NZ		73305
									sheet 2 of 3
									size
									A3
									type
									CUSTOMER Drawing



Copyright FCI



FCconnect.com

Copyright FCJ

CUSTOMER COPY FOR REFERENCE ONLY

mat'l. code		surface		tolerance		projection		product family	
		ISO 1302 ✓		ISO 406 ISO 1101				MOD JACK	
ltr	ecn no	dr	date	tolerances unless otherwise specified				title	
A	F04-0363	DLE	04.10.18	angles	linear	mm		SMT RA JACK	
B	F06-0240	DLE	06.07.18	±2'		scale 2:1		6 POS OUTSIDE	
		dr	D LEGRAND	04.10.18				dwg no	
		engr	P NIZZI	04.10.18				sheet 3 of - size	
		chr	D LEGRAND	04.10.18				73305 A4	
		appd	P NZ	04.10.18				type	
								CUSTOMER Drawing	
sheet index	revision sheet								



form: A4

Mouser Electronics

Authorized Distributor

Click to View Pricing, Inventory, Delivery & Lifecycle Information:

[FCI / Amphenol:](#)

[73305-111LF](#) [73305-112LF](#) [73305-121LF](#) [73305-122LF](#) [73305-311LF](#) [73305-312LF](#) [73305-512LF](#) [73305-131LF](#)