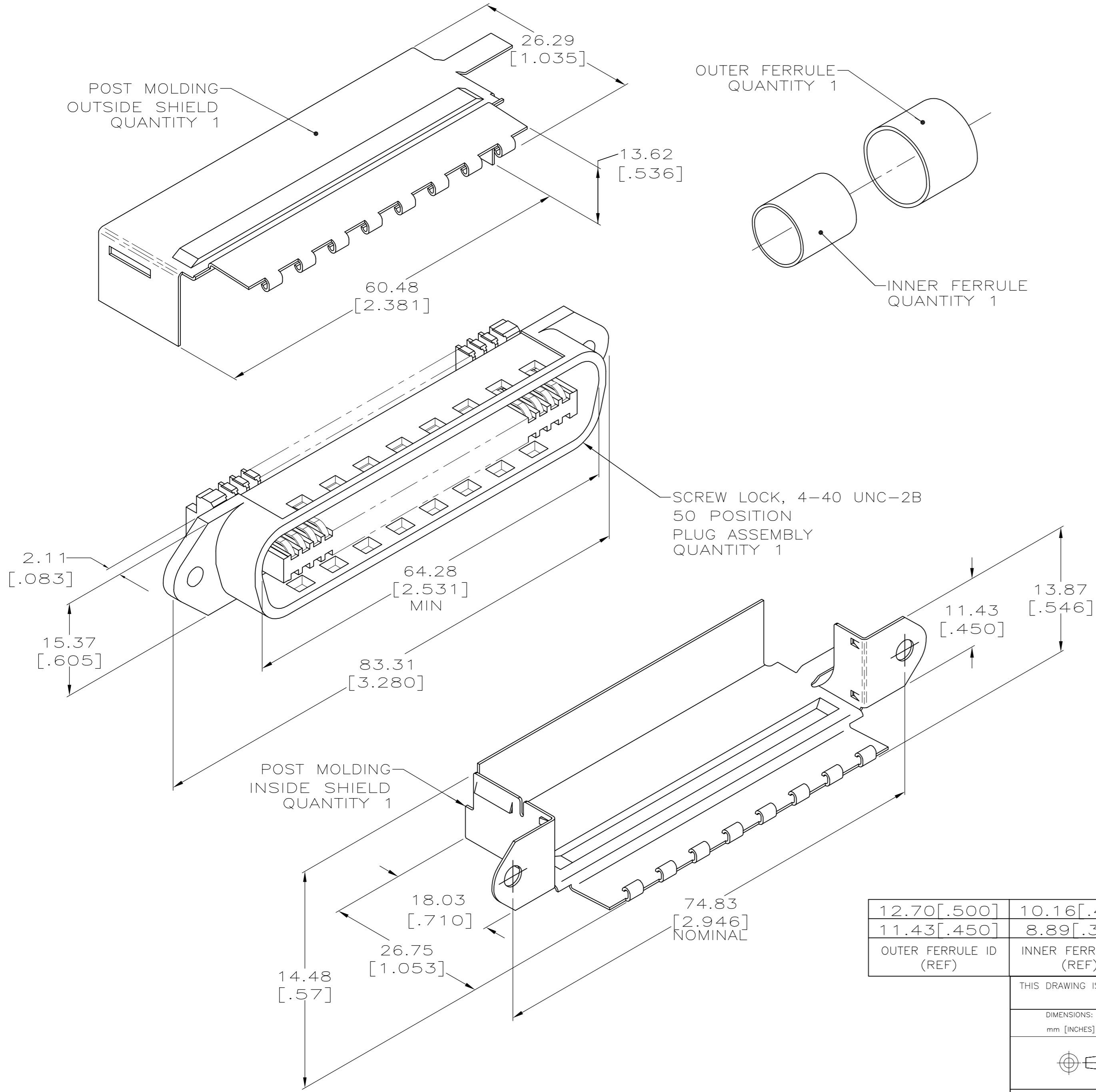


THIS DRAWING IS UNPUBLISHED. RELEASED FOR PUBLICATION
 © COPYRIGHT BY TYCO ELECTRONICS CORPORATION. ALL RIGHTS RESERVED.

LOC		DIST		REVISIONS			
P	LTR	DESCRIPTION		DATE	DWN	APVD	
GP	00	E		REVISED PER ECO-08-007327	02OCT08	BM WM	



- THIS KIT SHIPPED NOT ASSEMBLED.
- MATERIAL: PLUG HOUSING – POLYPHENYLENE OXIDE, BLACK.
 TERMINAL – HIGH STRENGTH COPPER ALLOY PLATED WITH EITHER 0.76µm [.000030] MIN GOLD OR GOLD FLASH OVER PALLADIUM NICKEL PLATE, 0.76µm [.000030] MIN TOTAL ON MATING SURFACE, 1.27µm [.000050] MIN NICKEL UNDERPLATE OVER ENTIRE TERMINAL.
 SHIELDS – BRIGHT NICKEL PLATED CARBON STEEL.
 FERRULES – BRASS.
- WIRE SIZE: 24 OR 26 AWG SOLID OR 24 AWG 7 STRANDS COPPER CONDUCTORS. MAXIMUM INSULATION DIAMETER OF 1.14[.045] IS ACCEPTABLE FOR MOST APPLICATIONS.
- CENTER-TO-CENTER SPACING OF TERMINALS IS 2.16 [.085] NOMINAL.
- BULK PACKAGED 500 KITS PER CONTAINER.
- DIMENSIONS ARE MAXIMUM UNLESS OTHERWISE SPECIFIED.

12.70 [.500]	10.16 [.400]	BLACK	B	3	5	1116719-3
11.43 [.450]	8.89 [.350]	BLACK	B	3	5	1116719-1
OUTER FERRULE ID (REF)	INNER FERRULE ID (REF)	HOUSING COLOR	SLOT	WIRE SIZE	PACKAGED	PART NUMBER

THIS DRAWING IS A CONTROLLED DOCUMENT.

DWN DL DRUMMOND 10-JUL-00	Tyco Electronics Corporation Harrisburg, PA 17105-3608
CHK DL DRUMMOND 13-JUL-00	
APVD EW BEILES 13-JUL-00	
PRODUCT SPEC	
APPLICATION SPEC	NAME
WEIGHT	SIZE CAGE CODE DRAWING NO RESTRICTED TO
CUSTOMER DRAWING	A2 00779 C=1116719
SCALE 2:1	SHEET 1 OF 1
REV E	

TOLERANCES UNLESS OTHERWISE SPECIFIED:

0 PLC	± -
1 PLC	± -
2 PLC	± -
3 PLC	± -
4 PLC	± -
ANGLES	± -

MATERIAL FINISH

Mouser Electronics

Authorized Distributor

Click to View Pricing, Inventory, Delivery & Lifecycle Information:

[TE Connectivity:](#)

[1116719-1](#) [1116719-3](#)