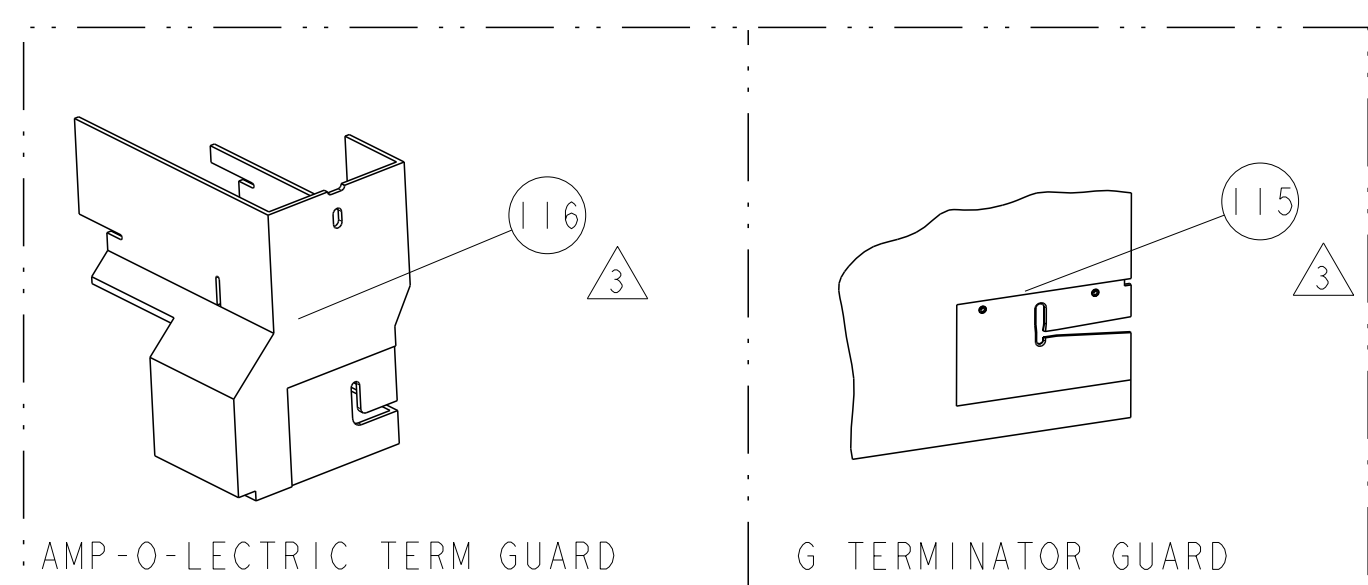
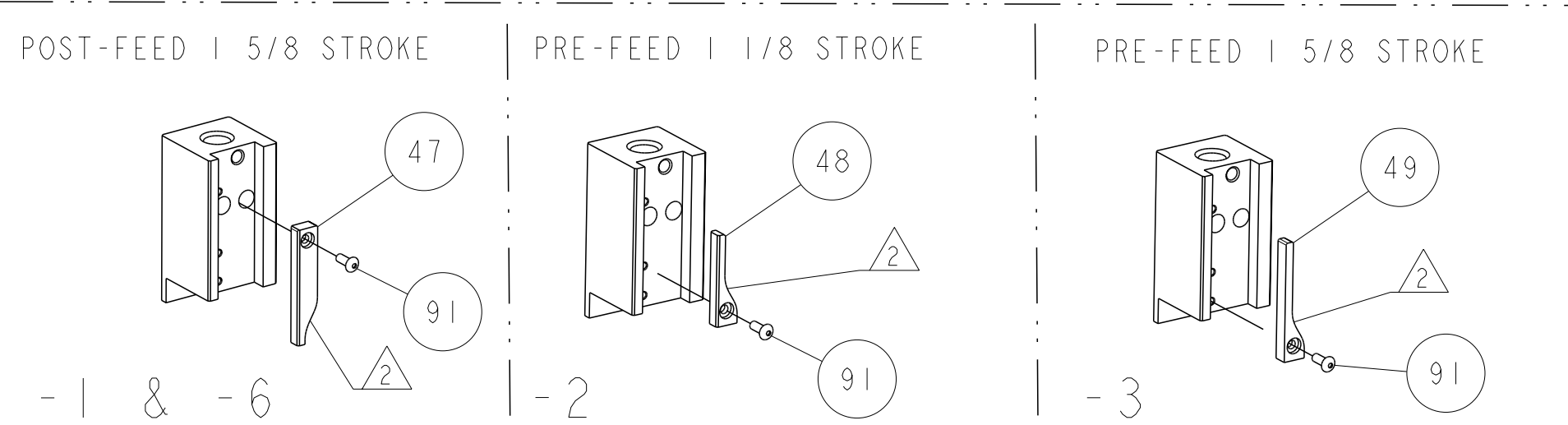
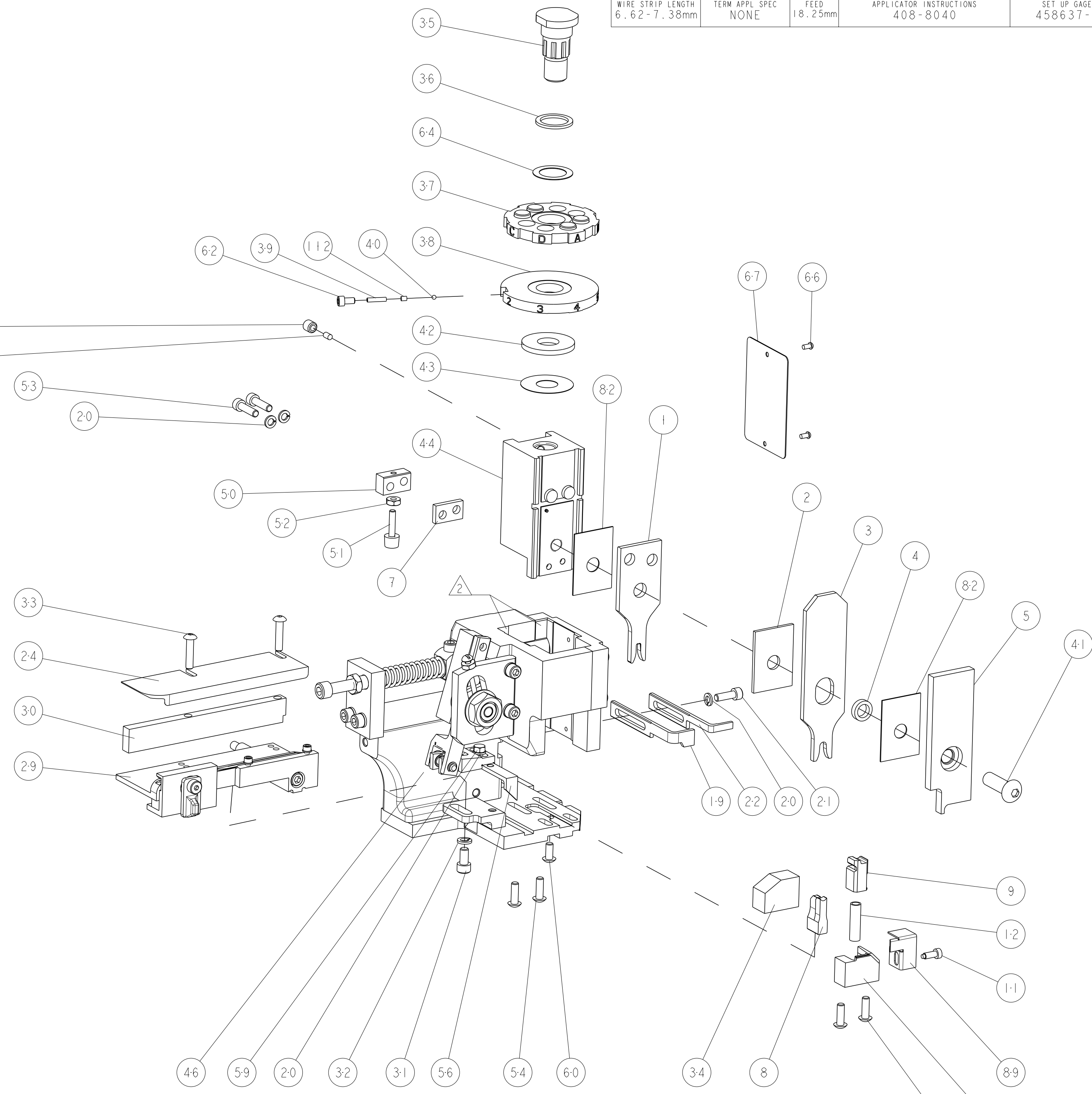
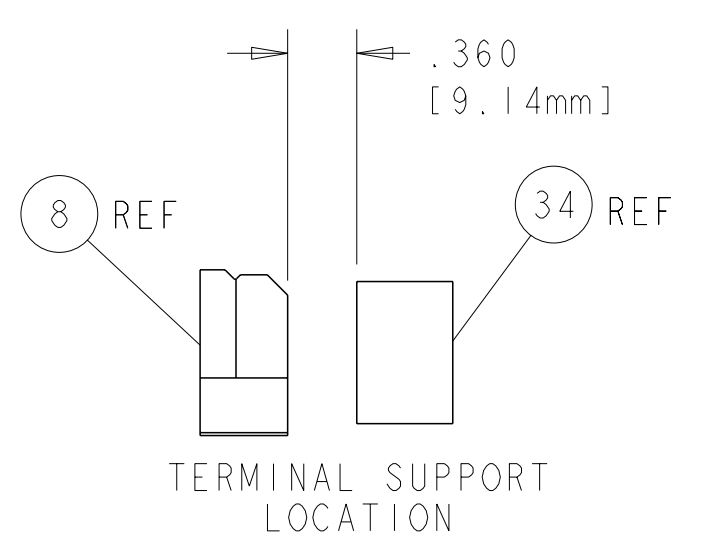
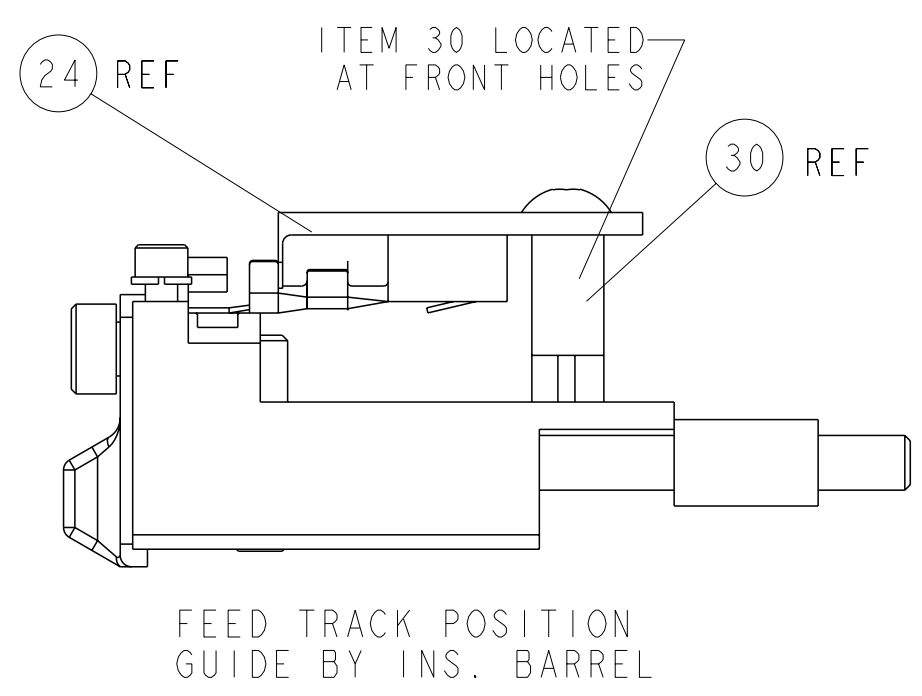
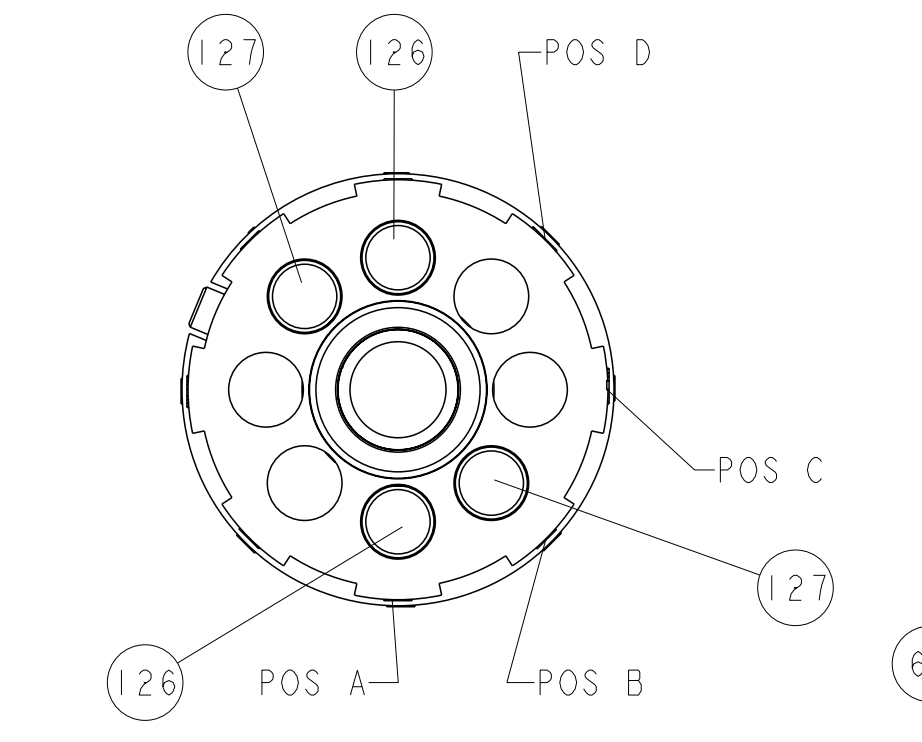


PART NUMBER	REV	FIRST USED	POWER UNIT	FEED TYPE	DESCRIPTION
1852547-1	B	122500-1	LEADMAKER	POST FEED	CUTS CARRIER
1852547-2	B	565435-5	BENCH MODEL K	PRE FEED	CUTS CARRIER
1852547-3	B	354500-1	BENCH MODEL G	PRE FEED	CUTS CARRIER
1852547-6	B	122500-1	LEADMAKER	POST FEED	CONTINUOUS CARRIER
7-1852547-7	A	-	-	-	SPARE PARTS



TEC PN		TE TERMINAL - TE CRIMP SPECS	
1742396-1	-	CRIMP HEIGHT	
-	-	WIRE SIZE	
-	-	A	1.75±0.05mm [.069±.002]
-	-	B	1.47±0.05mm [.058±.002]
-	-	C	-
-	-	D	-
-	-	CRIMP	SIZE TYPE RANGE
-	-	WIRE	2.79mm [.110] F 18 AWG
-	-	INSUL	4.57mm [.180] O ∅1.78-1.98mm
WIRE STRIP LENGTH	TERM APPL SPEC	FEED	APPLICATOR INSTRUCTIONS
6.62-7.38mm	NONE	18.25mm	408-8040
-	-	-	SET UP GAGE
-	-	-	458637-1

- ▲ RECOMMENDED SPARE PARTS
- ▲ GREASE LIGHTLY
- ▲ GUARD MUST BE IN PLACE WHEN OPERATING APPLICATOR IN A BENCH MACHINE



LOC	DIST	REV	DESCRIPTION	DATE	BY	CHK	APVD
A	66		RELEASED	13SEP2007	BH	BH	
		B	ECR-12-007739	25APR2012	MY	GB	

QTY	REV	DESCRIPTION	ITEM NO				
2	2	2	2	-	2-354779-7	PIN, WIRE DISC, .3125	127
2	2	2	2	-	9-354778-9	PIN, WIRE DISC, .2990	126
-	-	REF	-	..	455749-1	GUARD WINDOW	116
-	-	REF	-	..	679532-1	INSERT, GUARD	115
-	1	1	1	-	690603-1	SPRING ASSIST AMP-O-MATOR APPLICATOR	112
-	1	1	1	-	1-21002-7	SCR, BTN SKT HD CAP 6-32 X .375	91
-	1	1	1	-	318563-1	GUARD, FRONT CHIP	89
-	2	2	2	-	455888-5	SPACER, CRIMPER	82
-	1	1	1	-	4088040	SF APPL INST 408-8040	72
-	1	1	1	-	217238-1	GENERAL INSTRUCTION PKG	71
-	1	1	1	-	461264-1	PLATE, IDENTIFICATION	67
-	2	2	2	-	21017-2	SCREW, DRIVE	66
-	1	1	1	-	986950-1	WASHER, FLAT PRECISION	64
-	1	1	1	-	21009-2	SCR, SET, SELF LOCKING 1/4-20 X .250	63
-	1	1	1	-	23030-1	SCR, SKT HD CAP 6-32 X .25	62
-	1	1	1	-	22733-8	SCR, BHSC, SELF-LOCKING, 8-32 X .375	60
-	1	1	1	-	2-22603-0	SCR, HEX HD CAP 8-32 X .312	59
-	1	1	1	-	458537-2	PAWL, FEED	56
-	4	4	4	-	2-21002-2	SCR, BTN SKT HD CAP 8-32 X .500	54
-	2	2	2	-	2-21000-8	SCR, SKT HD CAP 8-32 X .625	53
-	1	1	1	-	21018-5	NUT, HEX, REG 6-32	52
-	1	1	1	-	811242-2	BUMPER, HOLD DOWN	51
-	1	1	1	-	690753-1	SPACER, TONKER	50
-	-	-	-	..	690602-6	CAM, PRE FEED, 1 5/8	49
-	-	-	-	..	690602-5	CAM, PRE FEED, 1 1/8	48
-	1	-	-	-	690501-4	CAM, POST-FEED 1 5/8	47
-	1	1	1	-	459456-1	APPL. BASIC SUB ASSY (SIDE WISE MOCA)	46
-	1	1	1	-	690191-1	PLUG, NYLON	45
-	1	1	1	-	1-819307-3	RAM, SIDE FEED	44
-	1	1	1	-	690125-1	SHIM SUB-ASSY	43
-	1	1	1	-	690124-1	WASHER, RAM (.115)	42
-	1	1	1	-	7-21002-9	SCR, BTN SKT HD CAP 5/16-24 X 1.00	41
-	1	1	1	-	23241-6	BALL, STEEL	40
-	1	1	1	-	690170-1	SPRING, COMPRESSION	39
-	1	1	1	-	1-690142-2	DISC, INSULATION	38
-	1	1	1	-	354777-1	WIRE DISC, ASSEMBLY	37
-	1	1	1	-	22480-5	SPRING, COMPRESSION	36
-	1	1	1	-	690212-1	POST, RAM	35
-	1	1	1	-	2-690786-3	TERMINAL SUPPORT	34
-	2	2	2	-	2-21002-4	SCR, BTN SKT HD CAP 8-32 X .750	33
-	1	1	1	-	21024-5	WASHER, SPRG LOCK, REG NO 10	32
-	1	1	1	-	3-21000-4	SCR, SKT HD CAP 10-32 X .375	31
-	1	1	1	-	1-1320908-0	SPACER, STRIP GUIDE	30
-	1	1	1	-	1633091-1	ASSEMBLY, STRIP GUIDE	29
-	-	-	-	..	-	-	28
-	1	1	1	-	1320928-2	PLATE, STRIP GUIDE	24
-	1	-	-	-	690472-2	STRIPPER	22
-	1	1	1	-	2-21000-7	SCR, SKT HD CAP 8-32 X .500	21
-	4	4	4	-	21024-4	WASHER, SPRG LOCK, REG NO 8	20
-	-	-	-	..	691353-1	STRIPPER	19
-	1	-	-	-	679625-1	SHEAR HOLDER, FRONT (NO CUT)	13
-	1	1	1	-	3-22280-3	SPRING, COMPRESSION	12
-	1	1	1	-	690461-1	STOP, SHEAR	11
-	-	-	-	..	690459-1	SHEAR HOLDER, FRONT	10
-	1	1	1	-	454276-1	FLOATING SHEAR, FRONT	9
-	1	1	1	-	1-1633112-3	ANVIL, COMBINATION .110	8
-	1	1	1	-	240641-5	SPACER	7
-	-	-	-	..	-	-	6
-	1	1	1	-	1-455889-4	DEPRESSOR, SHEAR	5
-	1	1	1	-	238011-2	BLOCK, CRIMPER SPACER	4
-	1	1	1	-	6-456135-4	CRIMPER, INSULATION O PREMIUM	3
-	1	1	1	-	1-455888-7	SPACER, CRIMPER	2
-	1	1	1	-	2-456408-0	CRIMPER, WIRE PREMIUM	1

THIS DRAWING IS A CONTROLLED DOCUMENT. DIMENSIONING AND TOLERANCING PER ASME Y14.5M-2009. TOLERANCES UNLESS OTHERWISE SPECIFIED:

INCHES	9 PLC ±	1 PLC ±	2 PLC ±	3 PLC ±	4 PLC ±	ANGLES ±	FINISH

MATERIAL: - FINISH: - WEIGHT: -

CUSTOMER ACCESSIBLE PRODUCTION DRAWING SCALE: 3:5 SHEET 1 OF 1 REV B

DATE: 23AUG2007 CHK: R.S. R.S. APVD: S. ZOU

NAME: SIDE FEED HDM APPLICATOR

SIZE: A1 CAGE CODE: 1852547

# Mouser Electronics

Authorized Distributor

Click to View Pricing, Inventory, Delivery & Lifecycle Information:

[TE Connectivity:](#)

[1852547-2](#)