

4

3

2

1

THIS DRAWING IS UNPUBLISHED.

RELEASED FOR PUBLICATION

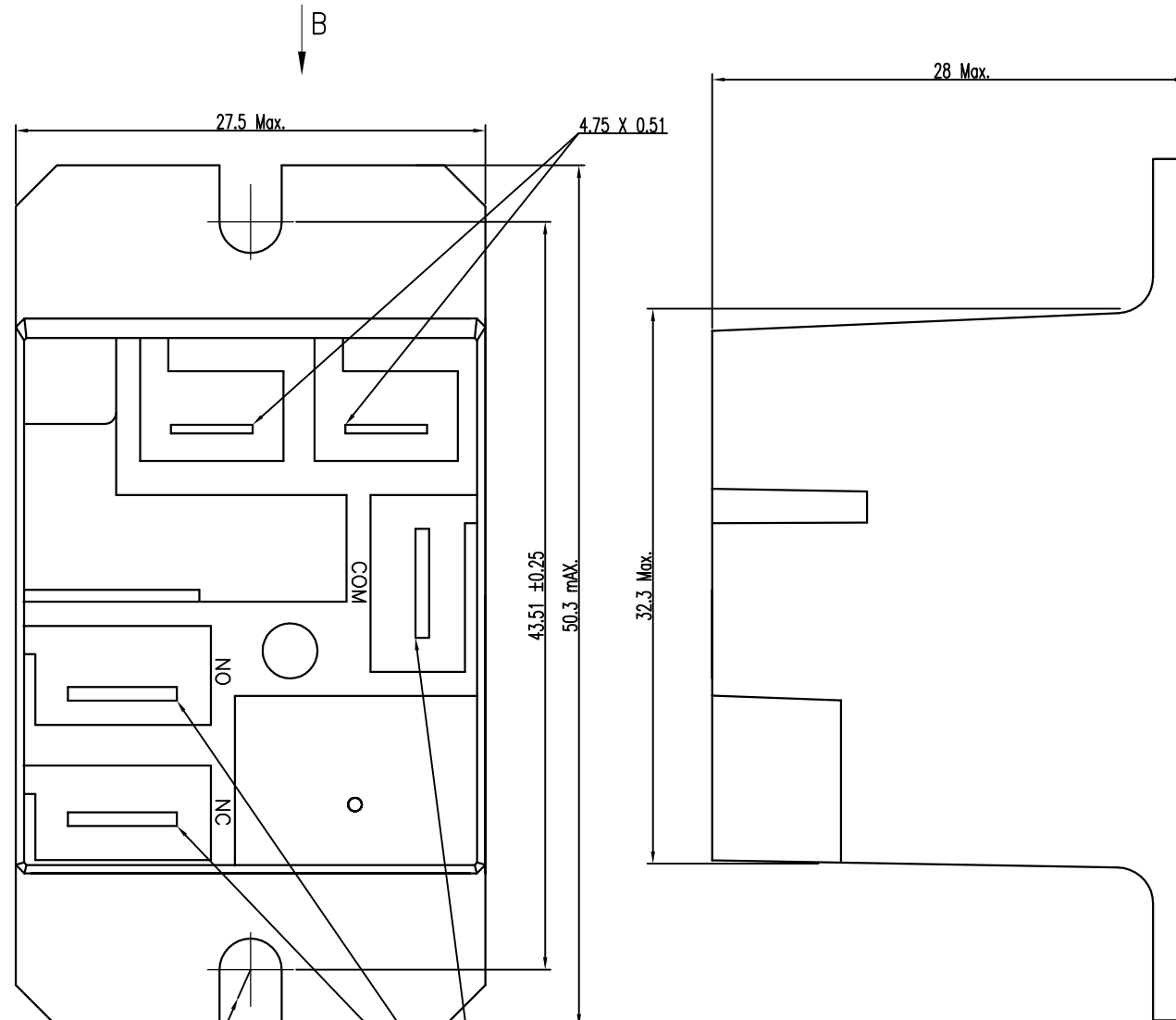
ALL RIGHTS RESERVED.

© COPYRIGHT - By -

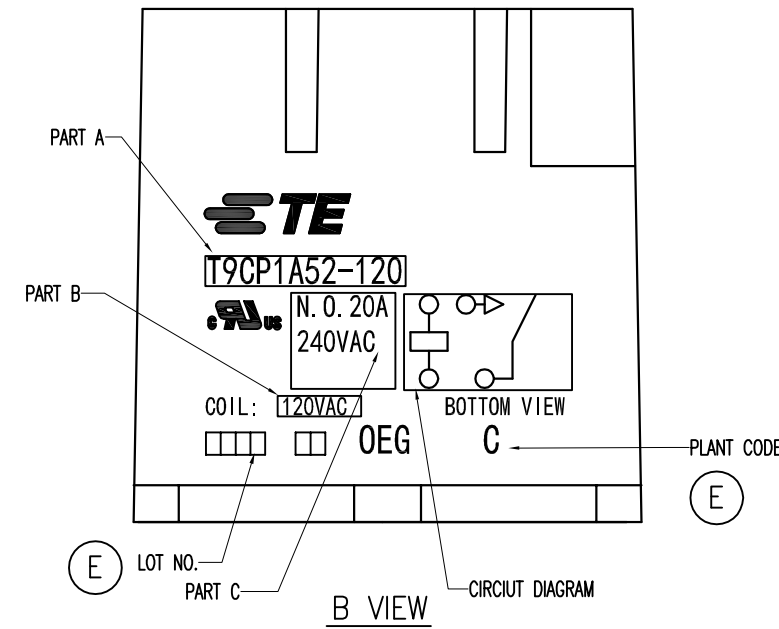
REVISIONS

P	LTR	DESCRIPTION	DATE	DWN	APVD
E		CHANGE DATE CODE AND PLANT CODE,ECO-17-017309	15DEC2017	HL.C	XN.Z

FORM	PART NO	TE TYPE NAME	PART A	PART B
FORM B	2-1649341-5	T9CP2A54-120	T9CP2A54-120	120VAC
FORM B	2-1649341-4	T9CP2A54-240	T9CP2A54-240	240VAC
FORM C	2-1649341-0	T9CP5A54-240	T9CP5A54-240	240VAC
FORM C	1-1649341-9	T9CP5A54-120	T9CP5A54-120	120VAC
FORM C	1-1649341-7	T9CP5A54-24	T9CP5A54-24	24VAC
FORM C	1-1649341-5	T9CP5A52-240	T9CP5A52-240	240VAC
FORM C	1-1649341-4	T9CP5A52-120	T9CP5A52-120	120VAC
FORM C	1-1649341-2	T9CP5A52-24	T9CP5A52-24	24VAC
FORM C	1-1649341-1	T9CP5A52-12	T9CP5A52-12	12VAC
FORM A	1649341-2	T9CP1A54-240	T9CP1A54-240	240VAC
FORM A	1-1649341-0	T9CP1A54-120	T9CP1A54-120	120VAC
FORM A	1649341-8	T9CP1A54-24	T9CP1A54-24	24VAC
FORM A	1649341-6	T9CP1A52-240	T9CP1A52-240	240VAC
FORM A	1649341-5	T9CP1A52-120	T9CP1A52-120	120VAC
FORM C	2071170-2	T9CP5A52-277-01	T9CP5A52-277-01	277VAC
FORM C	2071170-4	T9CP5A52-120-01	T9CP5A52-120-01	120VAC
FORM C	2071170-5	T9CP5A52-240-02	T9CP5A52-240-02	240VAC



CONTACT FORM	PART C	CIRCUIT DIAGRAM
FORM A	N.O. 20A 240VAC	
FORM C	N.O. 20A N.C. 10A 240VAC	
FORM B	N.C. 10A 240VAC	



NOTE:

1.LOT NO. DESCRIPTION:

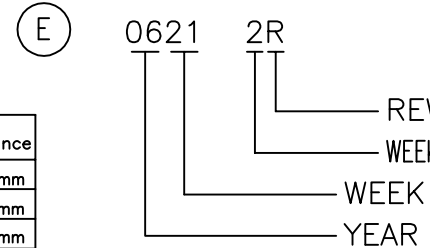


Diagram dimension	Tolerance
0.99mm max.	±0.1mm
1 - 2.99mm	±0.2mm
3mm min.	±0.3mm

THIS DRAWING IS A CONTROLLED DOCUMENT.

DIMENSIONS:	TOLERANCES UNLESS OTHERWISE SPECIFIED:
mm	
	0 PLC ± -
	1 PLC ± -
	2 PLC ± -
	3 PLC ± -
	4 PLC ± -
	ANGLES ± -
MATERIAL	FINISH
-	-

DWN	XN.ZHANG
CHK	ANTHONY.YIP
APVD	CH.HSU
PRODUCT SPEC	-
APPLICATION SPEC	-
WEIGHT	-
CUSTOMER DRAWING	-

TE TE Connectivity

NAME: T9C AC TYPE CUSTOMER DRAWING

SIZE	CAGE CODE	DRAWING NO	RESTRICTED TO
A3	00779	C=1649341	-

SCALE: 5:2 SHEET: 1 OF 1 REV: E

Mouser Electronics

Authorized Distributor

Click to View Pricing, Inventory, Delivery & Lifecycle Information:

[TE Connectivity:](#)

[2-1649341-5](#)