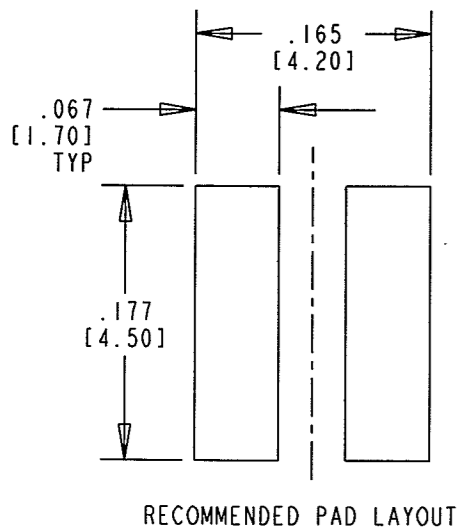
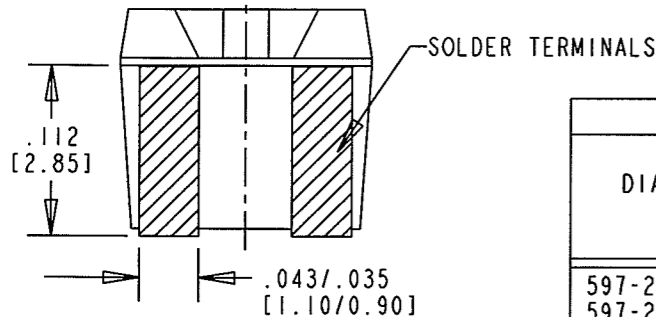
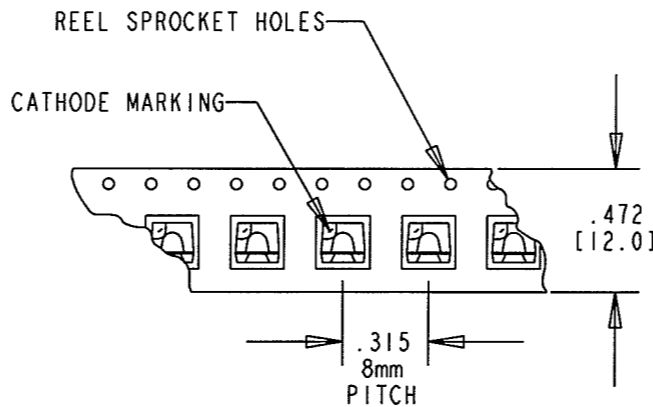
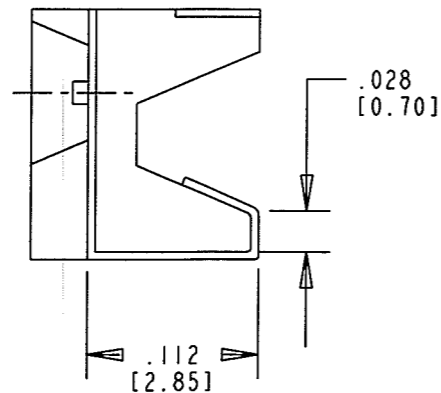
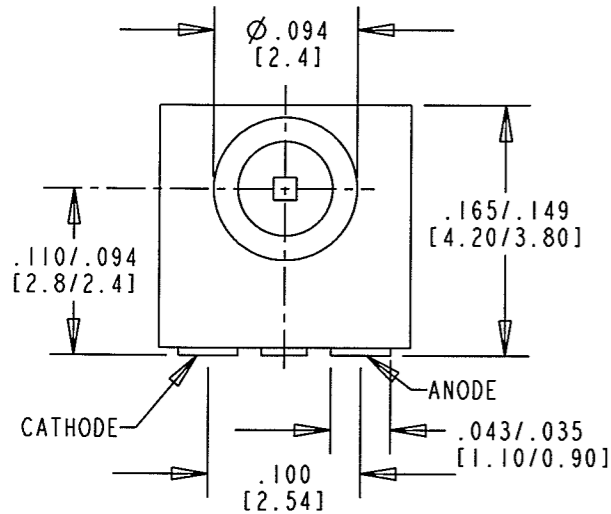
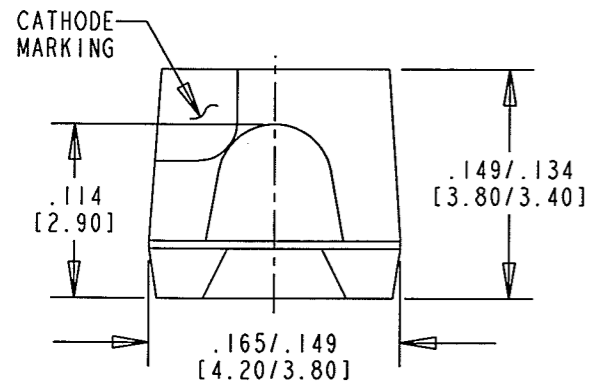


NOTES:

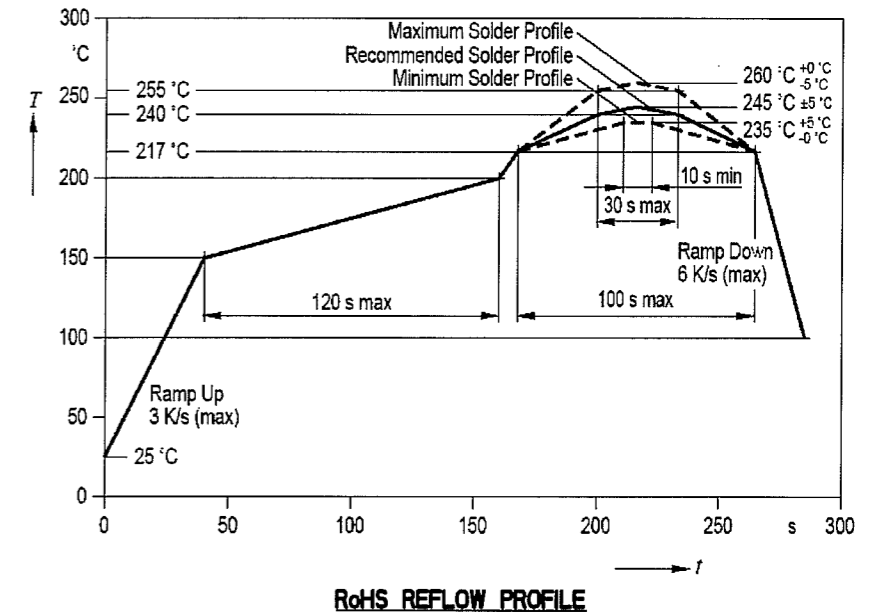
- COLORLESS CLEAR WINDOW.
- LED CHIP: AllInGaP YELLOW, AllInGaP GREEN, InGaN GREEN, InGaN BLUE.
- 2000 PARTS/REEL, 330 mm DIA. (13") REEL WITH 12 mm WIDTH CARRIER. REEL AND PACKAGING HAS A LABEL WITH DIALIGHT LOGO, DIALIGHT P/N, QTY PER REEL, DATE CODE, INTENSITY BIN CODE, COUNTRY OF ORIGIN. 20 PC SAMPLE STRIP PACKAGING SIMILAR LABELING ON BAG ONLY.
- DIALIGHT PART NUMBER: 597-2201-815F FOR YELLOW ON 13" REEL
597-2321-816F FOR GREEN ON 13" REEL
597-2601-817F FOR BLUE ON 13" REEL
597-2201-818F FOR YELLOW ON 20 PC SAMPLE STRIP
597-2321-819F FOR GREEN ON 20 PC SAMPLE STRIP
597-2601-820F FOR BLUE ON 20 PC SAMPLE STRIP
597-2901-821F FOR WHITE ON 20 PCS SAMPLE STRIP
597-2901-822F FOR WHITE ON 13" REEL
597-2301-823F FOR 570nm GREEN LOW VF ON 20 PCS SAMPLE STRIP
597-2301-824F FOR 570nm GREEN LOW VF ON 13" REEL
- TERMINALS ARE TIN (Sn) PLATED WITH NICKEL (Ni) UNDERPLATING OVER COPPER (Cu)
- THIS ASSEMBLY CONTAINS ELECTROSTATIC DISCHARGE SENSITIVE DEVICES (ESDS). MAINTAIN ALL PRECAUTIONARY MEASURES DURING ASSEMBLY, HANDLING AND STORAGE IN ACCORDANCE WITH IPC-A-610.



| OPERATING CHARACTERISTICS AT T _A = 25°C | | | | | | | | | | | | | |
|--|--------------------|---------------------|---------------------|------|------|--------------------------|------|------|----------------------|--------------------------|----------------------|----------------------|-------------------------|
| DIALIGHT P/N | COLOR | I _F (mA) | FORWARD VOLTAGE (V) | | | LUMINOUS INTENSITY (mcd) | | | PEAK WAVELENGTH (nm) | DOMINANT WAVELENGTH (nm) | | | VIEWING ANGLE (2 θ 1/2) |
| | | | MIN. | TYP. | MAX. | MIN. | TYP. | MAX. | | MIN. | TYP. | MAX. | |
| 597-2201-815F 597-2201-818F | AllInGaP YELLOW | 20 | 1.8 | 2.1 | 2.4 | 280 | — | 900 | 594 | 580 | 587 | 595 | 120 |
| 597-2321-816F 597-2321-819F | InGaN GREEN | 20 | 3.0 | 3.5 | 4.1 | 355 | — | 900 | 523 | 519 | 528 | 537 | 120 |
| 597-2301-823F 597-2301-824F | AllInGaP GREEN | 20 | 1.8 | 2.0 | 2.4 | 45 | — | 112 | 572 | 566 | 570 | 575 | 120 |
| 597-2601-817F 597-2601-820F | InGaN BLUE | 20 | 3.0 | 3.6 | 4.1 | 90 | — | 224 | 465 | 464 | 470 | 476 | 120 |
| 597-2901-821F 597-2901-822F | InGaN WHITE | 20 | 3.0 | 3.6 | 4.1 | 355 | — | 710 | — | x = .295 y = .259 | x = .330 y = .330 | x = .364 y = .380 | 120 |

| ABSOLUTE MAXIMUM RATINGS AT 25°C AMBIENT | AllInGaP GREEN | InGaN WHITE | AllInGaP YELLOW | InGaN GREEN | InGaN BLUE | UNITS |
|--|----------------|-------------|-----------------|-------------|------------|-------|
| POWER DISSIPATION | 80 | 85 | 110 | 85 | 85 | mW |
| CONTINUOUS FORWARD CURRENT | 30 | 20 | 40 | 20 | 20 | mA |
| REVERSE VOLTAGE | 12 | 5 | 12 | 5 | 5 | V |
| OPERATING TEMPERATURE | -40 TO +100 | | | | | °C |
| STORAGE TEMPERATURE | -40 TO +100 | | | | | °C |

| REV | ECN NO | REVISIONS | DRN | CKD | APP | DATE |
|-----|--------|---|-----|------|-------------|---------|
| A | — | NEW RELEASE | TWC | N.O. | MES | 4-26-06 |
| B | — | CHART ERROR I _F =20mA WAS 30mA FOR 597-2201-815F, 818F, P/N 597-2201-819F CORRECTED TO 597-2321-819F | SM | N.O. | MES | 5-15-07 |
| C | — | ADDED 597-2901-821F, 597-2901-822F, PRELIMINARY 597-2301-823F & 597-2301-824F | SM | N.O. | MES | 6-4-07 |
| D | — | ".165/.149" IN TOP VIEW RE-DIMENSIONED AS WIDTH OF LED; ADDED AllInGaP GREEN TO NOTE 2; ADDED DICE TO COLORS IN TABLES. | KLJ | N.O. | [Signature] | 7/31/08 |



RoHS Compliant 597-2XX1-8XXF Surface Mount LED

Part Numbers with the "F" suffix ending are RoHS Compliant. Example: 597-2201-815F
Packaging is marked with "RoHS Compliant" label or equivalent markings. Parts can be wave soldered, dip soldered or hand soldered using typical lead-free soldering process with max 260°C temp. for 5 sec.



ATTENTION:
OBSERVE PRECAUTIONS FOR
HANDLING ELECTROSTATIC
SENSITIVE DEVICES

| | | |
|---|---|--|
| THIS DRAWING AND THE CONTENTS HEREIN ARE CONFIDENTIAL AND THE SOLE PROPERTY OF DIALIGHT. REPRODUCTION OF THIS DRAWING OR CONSTRUCTION OF ANY PARTS WITHIN THIS DRAWING ARE FORBIDDEN WITHOUT THE WRITTEN CONSENT OF DIALIGHT. | | |
| SCALE: DRAWING SCALE ALL DIM'S IN: INCHES (MM) | DRAWING NUMBER C-17330 | REV D |
| TOLERANCES: UNLESS OTHERWISE SPECIFIED FRACTIONS: ±1/64 DECIMALS (.XX): ±.01 DECIMALS (.XXX): ±.005 DECIMALS (.XXXX): ±.0005 ANGLES: ±1° | TITLE SMT-SIDELED 1616 PKG RoHS COMPLIANT | MATERIAL |
| FINISH: | Dialight | 1501 ROUTE 34 SOUTH FARMINGDALE, NJ 07727 |
| FSCM 83330 | SHEET 1 OF 1 | FAMILY TABLE: |

Mouser Electronics

Authorized Distributor

Click to View Pricing, Inventory, Delivery & Lifecycle Information:

Dialight:

[597-2601-820F](#) [597-2901-821F](#) [597-2601-817F](#) [597-2321-819F](#) [597-2201-818F](#) [597-2201-815F](#) [597-2321-816F](#)
[597-2301-824F](#) [597-2901-822F](#)