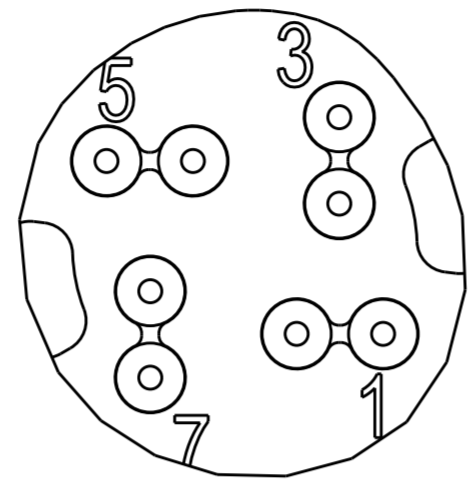


THIS DRAWING IS UNPUBLISHED. RELEASED FOR PUBLICATION  
 © COPYRIGHT - BY - ALL RIGHTS RESERVED.

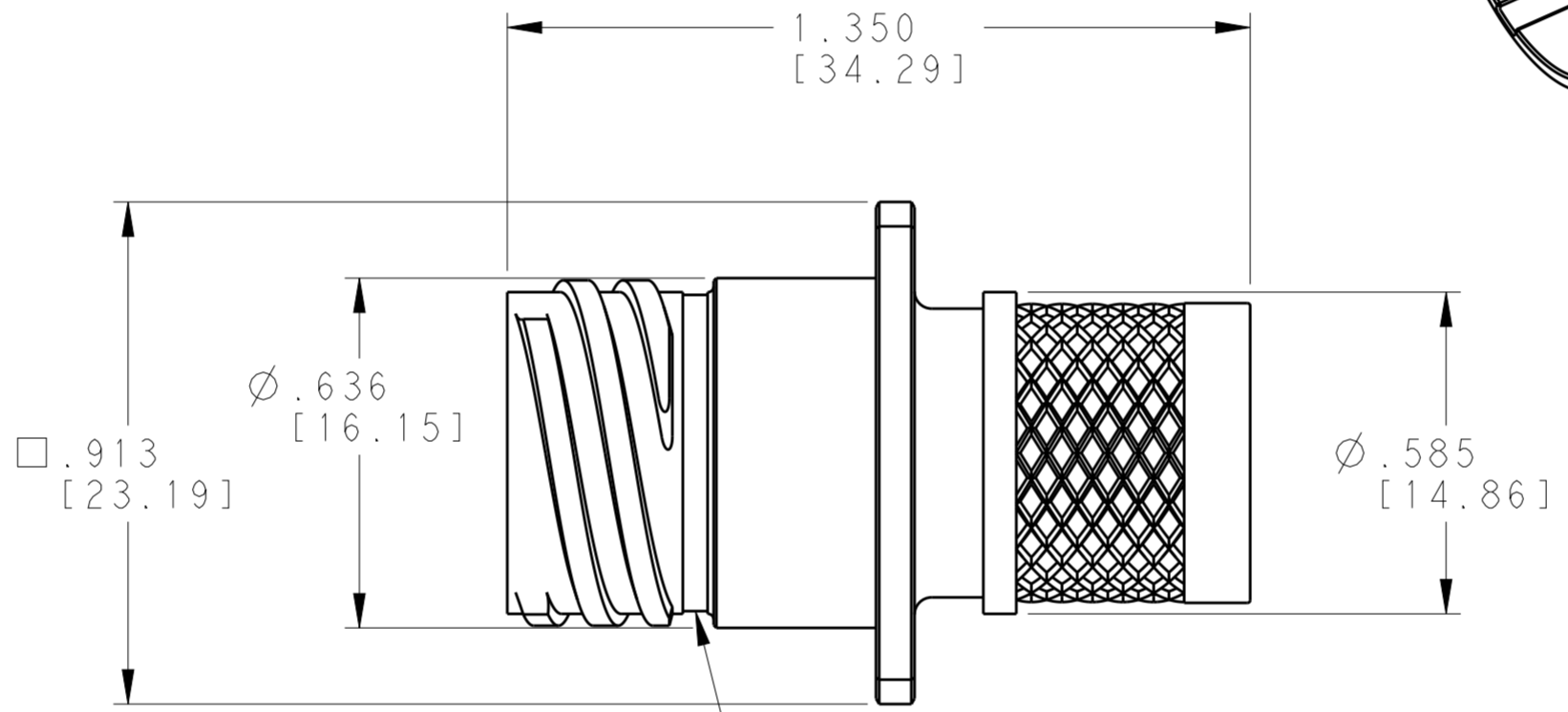
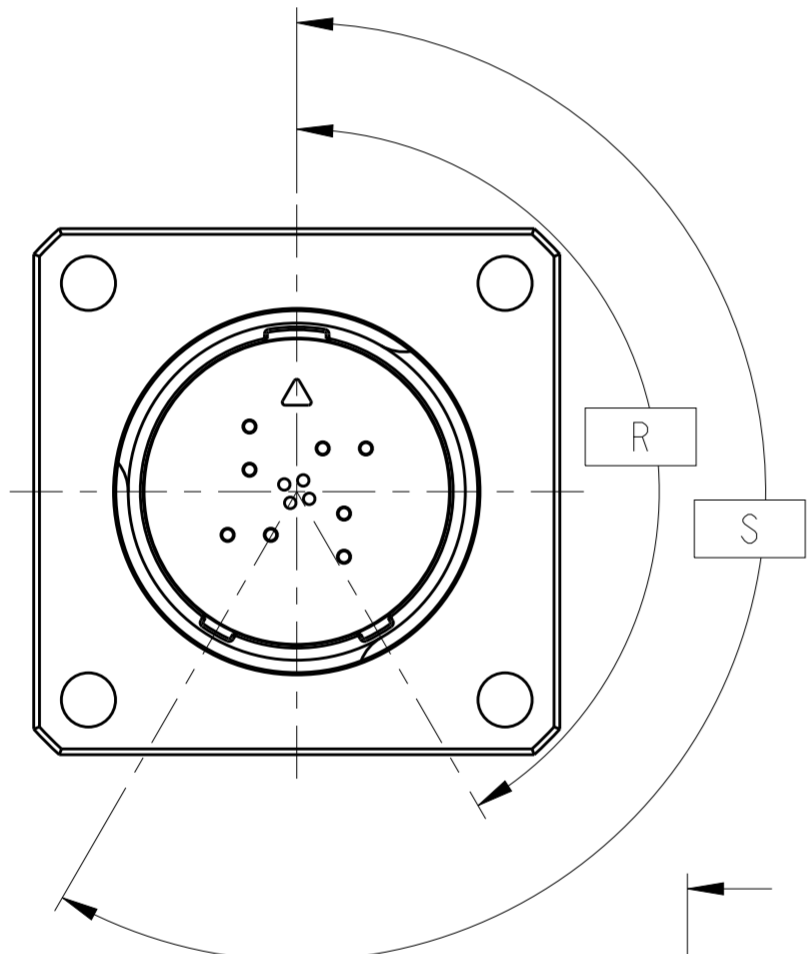
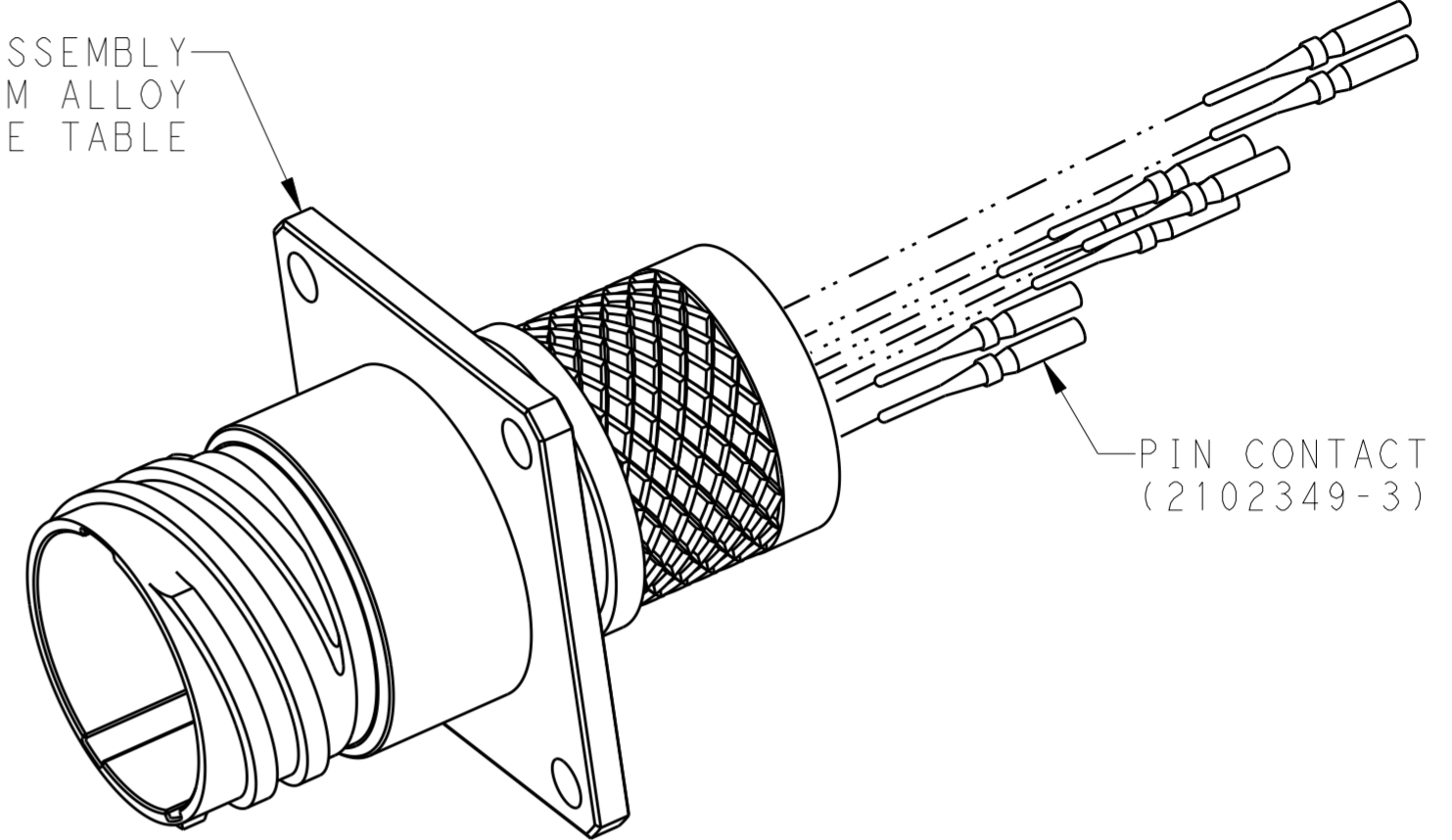
LOC		DIST		REVISIONS			
P	LTR	DESCRIPTION	DATE	DWN	APVD		
B		REV PER ECO 13-001557	2-12-13	CT	DM		
C		REVISED PER ECO-15-013009	15DEC15	RS	CT		

KEY OPTION	KEY ROTATION	
	"R"	"S"
NORMAL	150°	210°
A	140°	215°
B	132°	248°

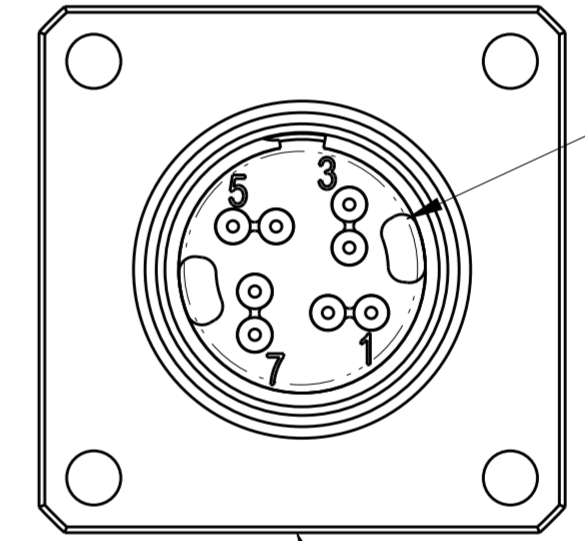


DETAIL A  
SCALE 6:1

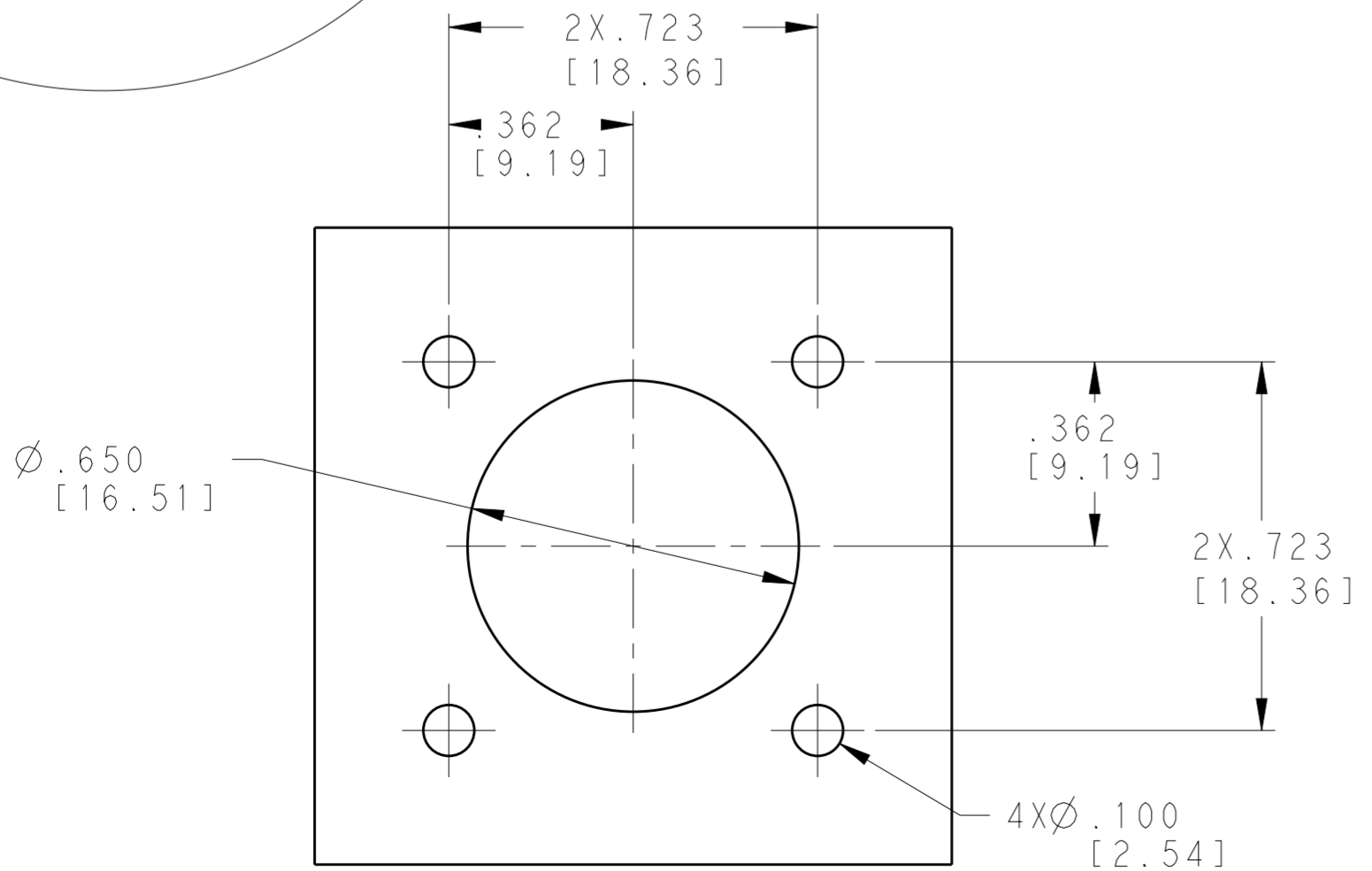
RECEPTACLE ASSEMBLY  
SHELL MAT'L: ALUMINUM ALLOY  
FINISH: SEE TABLE



RED FULL MATE INDICATOR




"TE" AND DATE CODE  
ON 1 OF 4 SIDES  
TE PN ON ADJACENT FLAT



10	B	BLACK ZINC NICKEL PLATE	2102343-6
10	B	NICKEL PLATE	2102343-5
10	A	BLACK ZINC NICKEL PLATE	2102343-4
10	A	NICKEL PLATE	2102343-3
10	NORMAL	BLACK ZINC NICKEL PLATE	2102343-2
10	NORMAL	NICKEL PLATE	2102343-1
PIN CONTACT QTY	KEYING	FINISH	PART NUMBER
50um GOLD PLATE	OPTION		

THIS DRAWING IS A CONTROLLED DOCUMENT. DIMENSIONING AND TOLERANCING PER ASME Y14.5M (ISO STANDARDS)		DWN MCKIBBEN, JOHN	16DEC2011	
DIMENSIONS: INCHES [mm]		CHK DOWHOWER, KENNETH	16DEC2011	
TOLERANCES UNLESS OTHERWISE SPECIFIED:		APVD DOWHOWER, KENNETH	16DEC2011	
0 PLC	±	PRODUCT SPEC	108-2482	
1 PLC	±	APPLICATION SPEC	114-32025	
2 PLC	±	WEIGHT	-	
3 PLC	±.005 [0.13]	SCALE	3:1	
4 PLC	±	SHEET	1 OF 1	
ANGLES	±	REV	C	
FINISH	SEE TABLE	CUSTOMER DRAWING		



TE Connectivity

RECEPTACLE ASSEMBLY KIT

SIZE: A200779 CAGE CODE: C-2102343

# Mouser Electronics

Authorized Distributor

Click to View Pricing, Inventory, Delivery & Lifecycle Information:

[TE Connectivity:](#)

[2102343-1](#)