

68AT300 SERIES
CHART 2

M

DRAWING NUMBER

ISSUE 5

REVISIONS

A PRI3419
KAG 5 OCT 84

B C058771
KAG 14 FEB 86

C C072702
LJF 7 JUN 92

D 0055920
SSK 25AUG09

CHECK

CMH

CMH

CMH

CMH

CMH

CMH

CMH

CMH

CMH

CMH

CMH

CMH

CMH

CMH

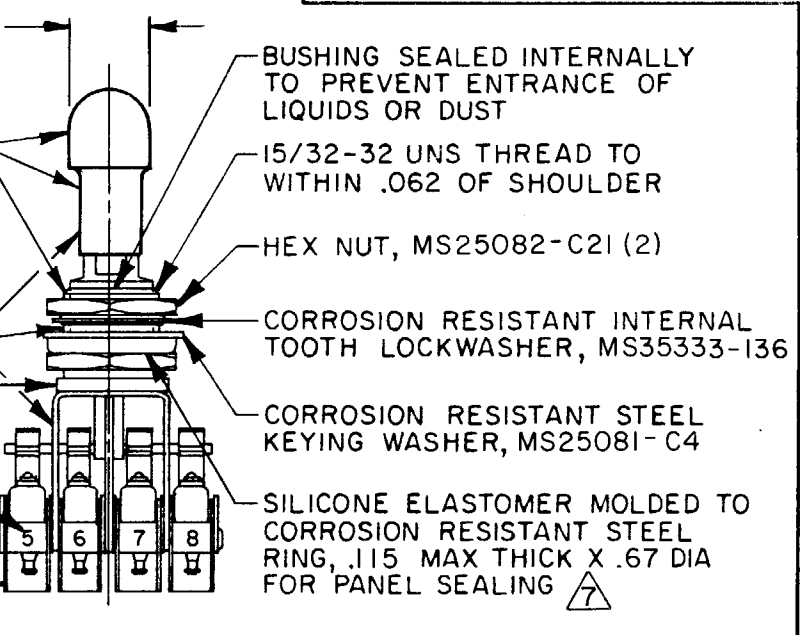
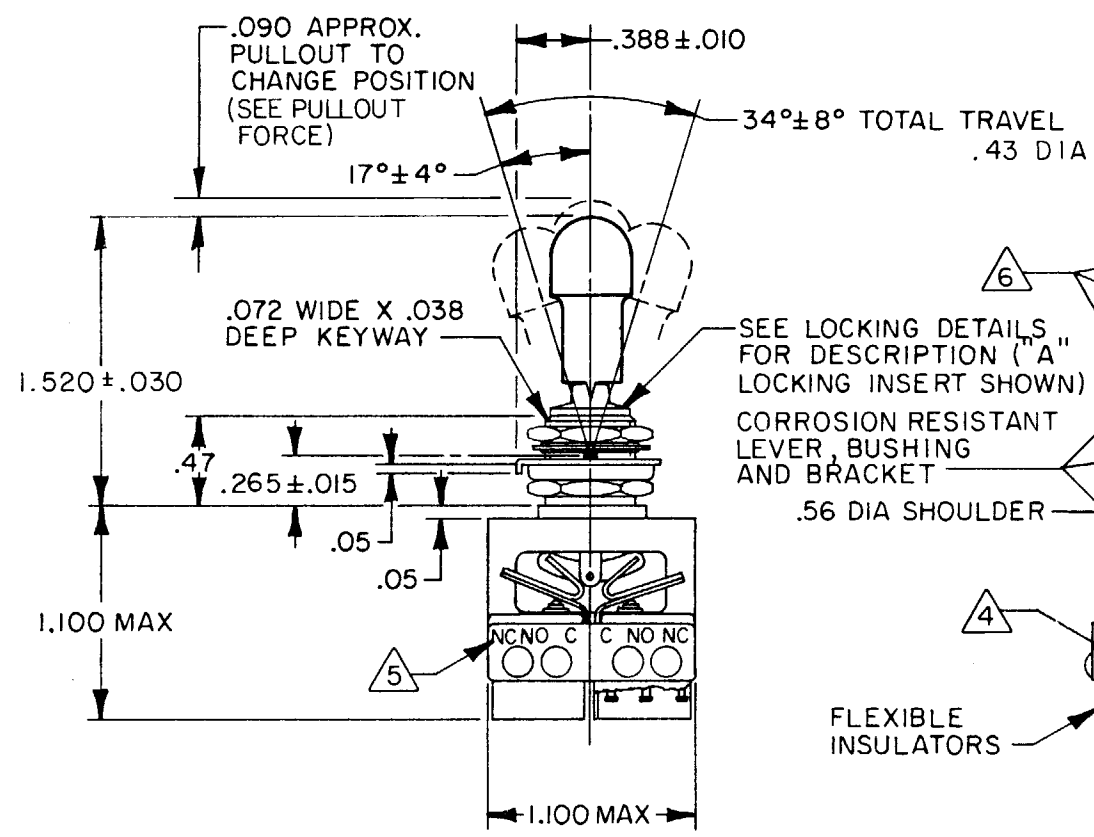
MICRO SWITCH
FREEPORT, ILLINOIS, U.S.A.
A DIVISION OF HONEYWELL
FED. MFG. CODE 91929

**ASSEMBLY -
TOGGLE SWITCH**

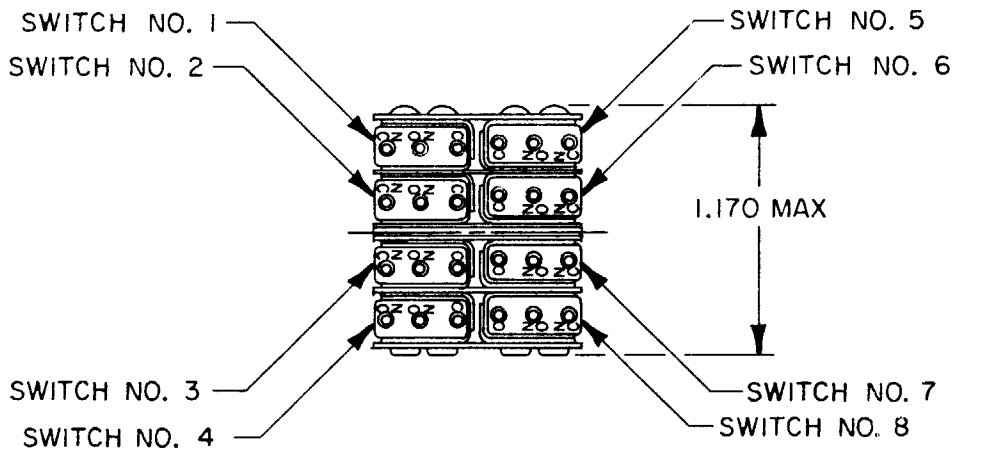
CATALOG LISTING
68AT300 SERIES
CHART 2

MILITARY PART NUMBER	CATALOG LISTING	KEYWAY POSITION		CENTER POSITION		OPPOSITE KEYWAY POSITION		RECOMMENDED LOCKING COMBINATIONS
		C-NC	C-NO	C-NO	C-NC	C-NC	C-NO	
	68AT300-1	1,2,3,4	5,6,7,8	NONE	ALL	5,6,7,8	1,2,3,4	A,B,D,E,F,G,H,J,K,L,M,N,P
	68AT300-3	1,2,3,4	5,6,7,8	NONE	NONE	5,6,7,8	1,2,3,4	D,F,G
	68AT300-5	1,2,3,4*	5,6,7,8*	NONE	ALL	5,6,7,8	1,2,3,4	E,F,K,L,M,N
	68AT300-7	1,2,3,4*	5,6,7,8*	NONE	ALL	5,6,7,8*	1,2,3,4*	E,L,N

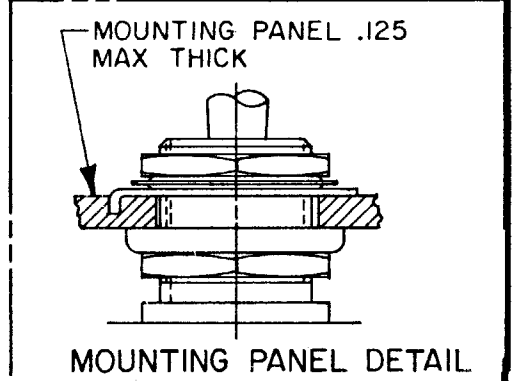
* ASTERISK DENOTES MOMENTARY POSITION



"A" LOCKED IN THREE POSITIONS	"B" LOCKED IN CENTER AND EXTREME POSITION (KEYWAY SIDE)	"D" LOCKED OUT OF CENTER POSITION	"E" LOCKED IN CENTER POSITION
"F" LOCKED IN EXTREME POSITION (OPPOSITE KEYWAY)	"G" LOCKED IN EXTREME POSITION (KEYWAY SIDE)	"H" LOCKED OUT OF CENTER AND EXTREME POSITION (KEYWAY SIDE)	"J" LOCKED OUT OF CENTER AND EXTREME POSITION (OPPOSITE KEYWAY)
"K" LOCKED IN CENTER AND EXTREME POSITION (OPPOSITE KEYWAY)	"L" LOCKED OUT OF EXTREME POSITION (KEYWAY SIDE)	"M" LOCKED OUT OF AND INTO EXTREME POSITION (OPPOSITE KEYWAY)	"N" LOCKED OUT OF EXTREME POSITION (OPPOSITE KEYWAY)
			"P" LOCKED OUT OF AND INTO EXTREME POSITION (KEYWAY SIDE)



- NOTES**
- 1 - UNIT INCLUDES "SX" TYPE BASIC SWITCH (8) (MEETS REQUIREMENTS OF MIL-PRF-8805/4)
 - 2 - SWITCHES DO NOT NECESSARILY OPERATE SIMULTANEOUSLY
 - 3 - TERMINALS ARE PLATED FOR SOLDERING
 - 4 SWITCH NUMBERS STAMPED ON END OF BASIC SWITCHES
 - 5 TERMINAL DESIGNATION STAMPED ON BOTH SIDES OF UNIT
 - 6 DULL FINISH ON BUTTON, LEVER, AND BUSHING
 - 7 FOR PANEL SEAL TO BE EFFECTIVE MOUNTING HOLE IN PANEL SHOULD NOT EXCEED .500 DIA
 - 8 SUFFIX LETTER MUST BE ADDED FOR DESIRED TYPE TOGGLE LOCKING (SEE CHART FOR RECOMMENDED LOCKING COMBINATIONS)



THIS DRAWING COVERS A PROPRIETARY ITEM AND IS THE PROPERTY OF MICRO SWITCH. A DIVISION OF HONEYWELL. THIS DRAWING IS NOT TO BE COPIED OR USED WITHOUT THE APPROVAL OF MICRO SWITCH.

CHARACTERISTICS	ELECTRICAL DATA
PULLOUT FORCE - 3 LB MIN - 5 LB MAX	CONTACT ARRANGEMENT S P D T (8)

SCALE FULL

DO NOT SCALE PRINT

TOLERANCES
APPLY TO DESIGN UNITS. CONVERSIONS ARE ONLY FOR REFERENCE. UNLESS NOTED, TOLERANCES ARE ±

DIM.	TOL.	DIM.	TOL.
mm	mm/in	in	mm/in
NO PLACES	X	17.04	
ONE PLACE	X,X	0.47,018	X,X
TWO PLACES	X,XX	0.101,006	X,XX
THREE PLACES	X,XXX	0.025,002	X,XXX
ANGLES			

SI METRIC US CUSTOMARY

DESIGN UNITS THIRD ANGLE PROJECTION

WEIGHT .09 LB EST

LOAD	ELECTRICAL RATINGS		
	SEA LEVEL	50,000 FT	
28 Vdc	115 Vac, 60 Hz	28 Vdc	
(AMPERES)	(AMPERES)	(AMPERES)	
RESISTIVE	7	7	4
INDUCTIVE	4	7	2.5

FO-52861-B
DRAWN

KAG 5 OCT 84

Mouser Electronics

Authorized Distributor

Click to View Pricing, Inventory, Delivery & Lifecycle Information:

[Honeywell:](#)

[68AT300-7L](#) [68AT300-3D](#)