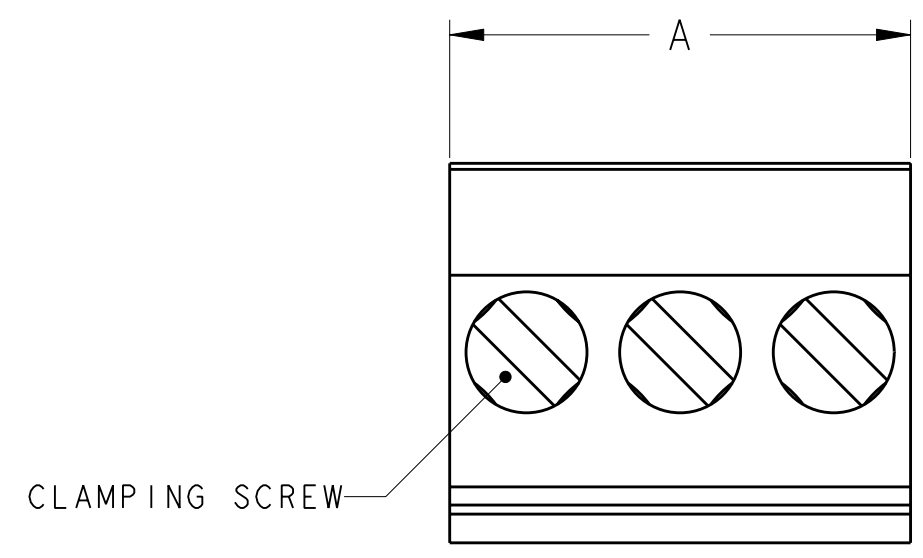
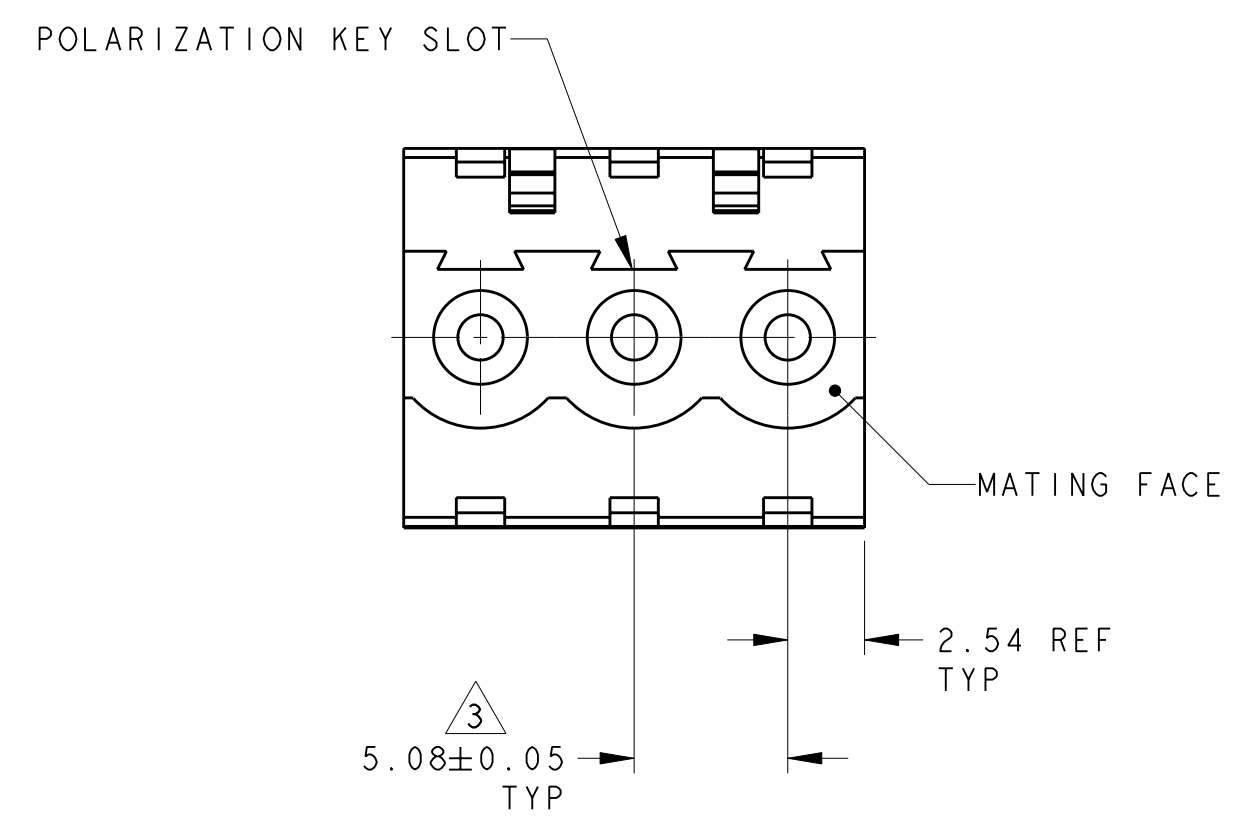
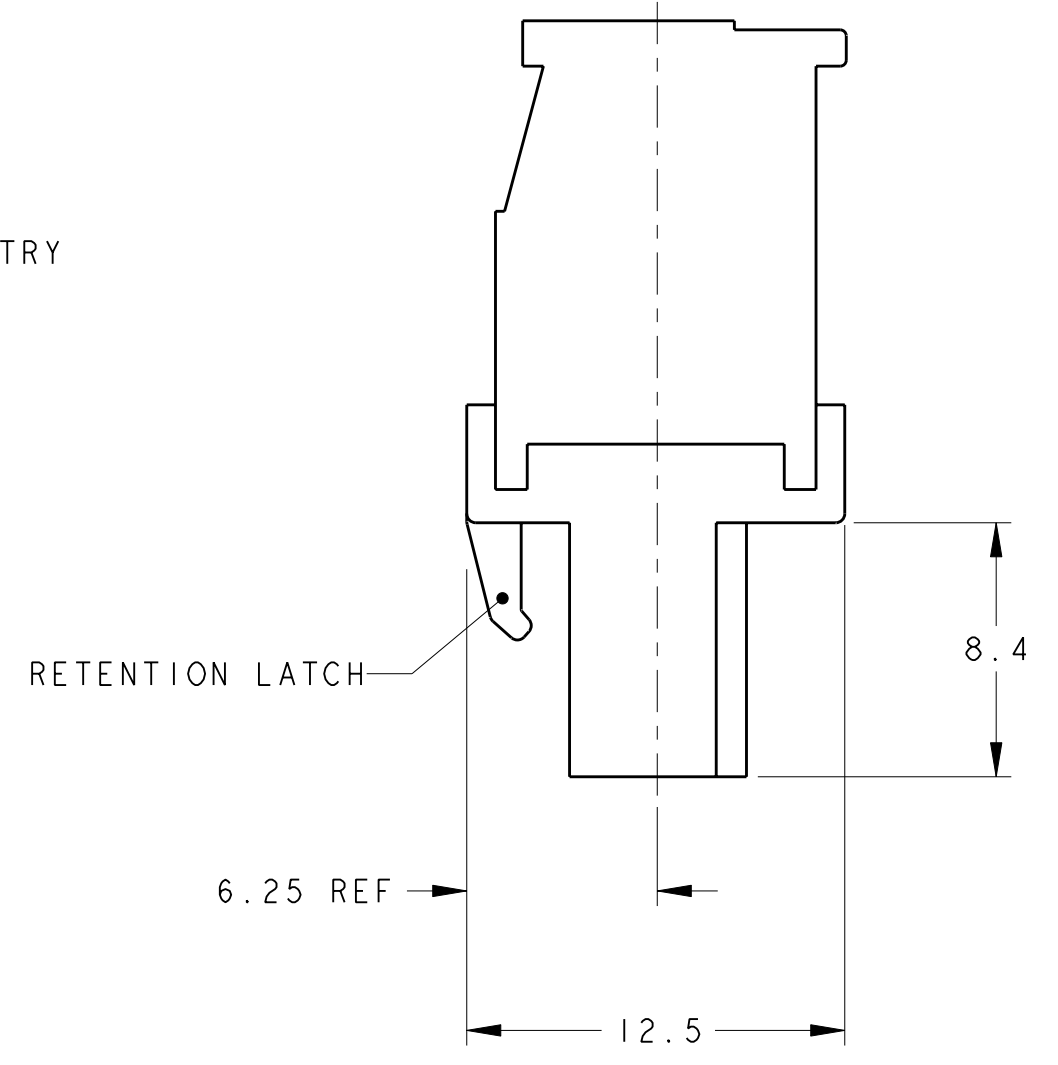
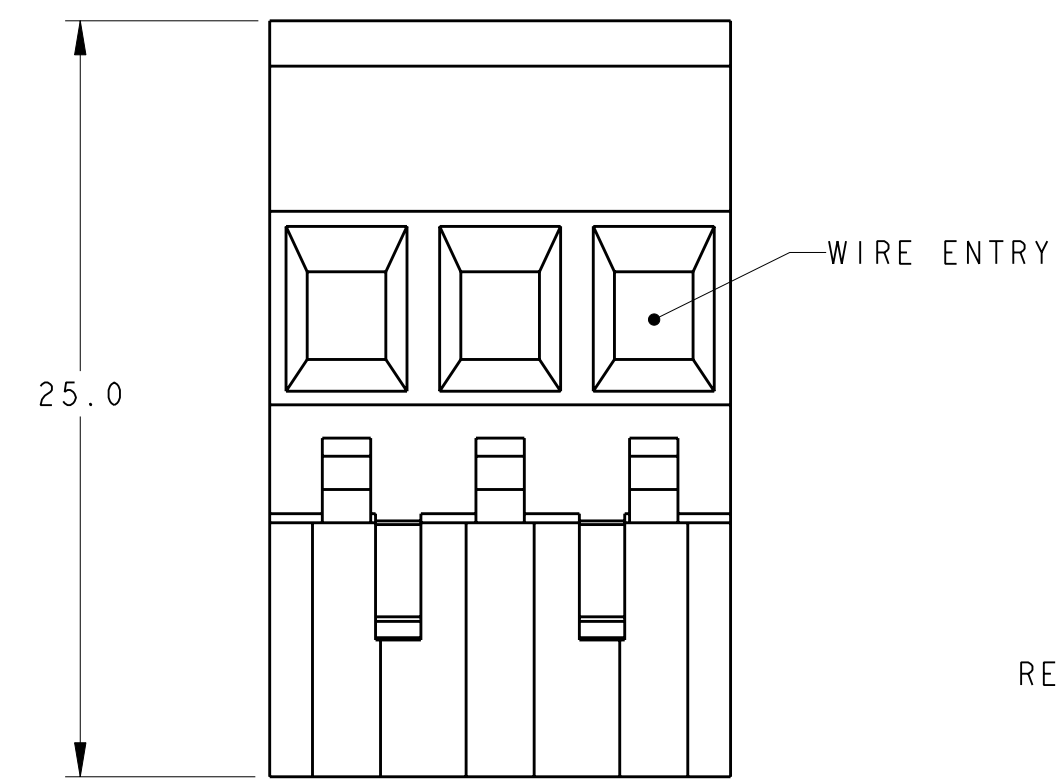


THIS DRAWING IS UNPUBLISHED. RELEASED FOR PUBLICATION 20  
 © COPYRIGHT 20 BY TYCO ELECTRONICS CORPORATION. ALL RIGHTS RESERVED.

LOC	DIST	REVISIONS			
P	LTR	DESCRIPTION	DATE	DWN	APVD
FT	0	A	RELEASED	11APR2007	SW CR



- 1 MATERIALS AND FINISH  
 HOUSING: PA 6-6, UL 94-V0, COLOR: GRAY.  
 CLAMP: BRASS, NICKEL PLATED.  
 CONTACT SPRING : PHOSPHOR BRONZE, TIN PLATED.  
 CLAMPING SCREW: M3, BRASS, NICKEL PLATED.
- 2. WIRE SIZE RANGE: 12 - 30 AWG
- 3 NOT CUMULATIVE TOLERANCE.
- 4 CHARACTERS MARKED IN PERMANENT WHITE COLOR.



127.00	25	2-1546122-5
121.92	24	2-1546122-4
116.84	23	2-1546122-3
111.76	22	2-1546122-2
106.68	21	2-1546122-1
101.60	20	2-1546122-0
96.52	19	1-1546122-9
91.44	18	1-1546122-8
86.36	17	1-1546122-7
81.28	16	1-1546122-6
76.20	15	1-1546122-5
71.12	14	1-1546122-4
66.04	13	1-1546122-3
60.96	12	1-1546122-2
55.88	11	1-1546122-1
50.80	10	1-1546122-0
45.72	9	1546122-9
40.64	8	1546122-8
35.56	7	1546122-7
30.48	6	1546122-6
24.40	5	1546122-5
20.32	4	1546122-4
15.24	3	1546122-3
10.16	2	1546122-2
A	NO OF POSN	PART NUMBER

THIS DRAWING IS A CONTROLLED DOCUMENT FOR TYCO ELECTRONICS CORPORATION IT IS SUBJECT TO CHANGE AND THE CONTROLLING ENGINEERING ORGANIZATION SHOULD BE CONTACTED FOR THE LATEST REVISION.		DWN S. WELDON 11APR2007	<b>BUCHANAN</b> Tyco Electronics Harrisburg, PA 17105-3608
DIMENSIONS: mm		CHK C. RICHARD 11APR2007	
TOLERANCES UNLESS OTHERWISE SPECIFIED: 0 PLC ±.3 1 PLC ±.25 2 PLC ±.25 3 PLC ±. 4 PLC ±. ANGLES ±2 FINISH		APVD C. RICHARD 11APR2007	NAME TERMINAL BLOCK, VERTICAL PLUG, STACKING, RIGHT HAND, 5.08mm PITCH
MATERIAL		PRODUCT SPEC -	SIZE A2
		APPLICATION SPEC -	CAGE CODE 00779
		WEIGHT -	DRAWING NO 1546122
CUSTOMER DRAWING		RESTRICTED TO -	SCALE 4:1
			SHEET 1 OF 1 REV A

# Mouser Electronics

Authorized Distributor

Click to View Pricing, Inventory, Delivery & Lifecycle Information:

[TE Connectivity:](#)

[1-1546122-0](#)