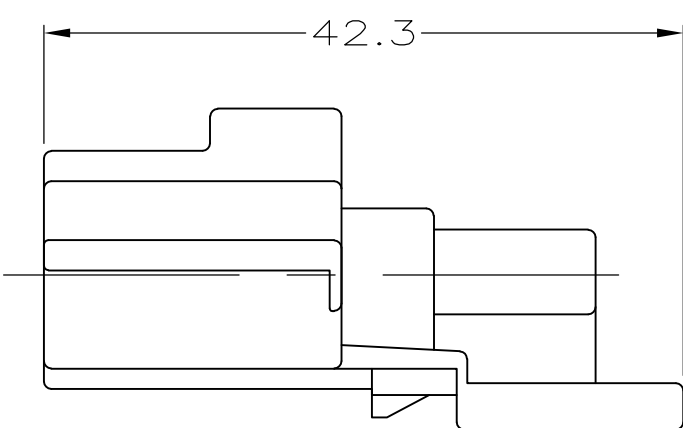
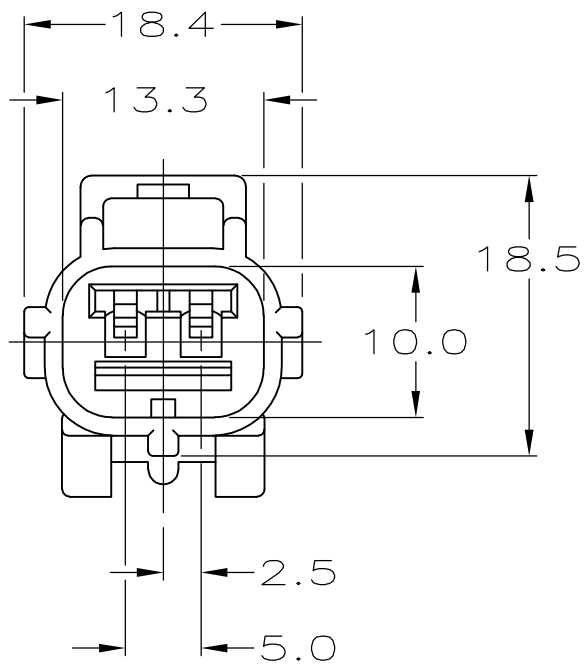
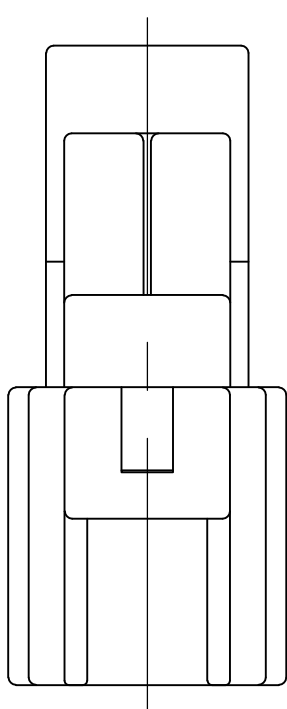

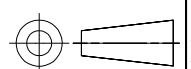


THIS DRAWING IS UNPUBLISHED. RELEASED FOR PUBLICATION - , - .
 © COPYRIGHT - By - ALL RIGHTS RESERVED.

LOC	DIST	REVISIONS					
G	16	P	LTR	DESCRIPTION	DATE	DWN	APVD
		A1		REVISED PER ECO-14-015182	08OCT2014	DD	MB



NATURAL	184163-2
BLACK	184163-1
PART NUMBER	PART NUMBER

THIS DRAWING IS A CONTROLLED DOCUMENT.		DWN	K. WISE	02/14/96	 TE Connectivity NAME CAP HOUSING, SSC, 2 POSITION A KEY								
DIMENSIONS: mm		CHK	J. KUNKLE	03/08/96									
		APVD	J. KUNKLE	03/08/96									
TOLERANCES UNLESS OTHERWISE SPECIFIED: 0 PLC ± - 1 PLC ± 0.3 2 PLC ± - 3 PLC ± - 4 PLC ± - ANGLES ± -		PRODUCT SPEC	-										
MATERIAL	PBT	FINISH	BLACK	WEIGHT	-	SIZE	A3	CAGE CODE	00779	DRAWING NO	C-184163	RESTRICTED TO	-
CUSTOMER DRAWING						SCALE	2:1	SHEET	1 OF 1	REV	A1		

Mouser Electronics

Authorized Distributor

Click to View Pricing, Inventory, Delivery & Lifecycle Information:

[TE Connectivity:](#)

[184163-1](#)