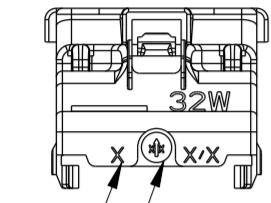


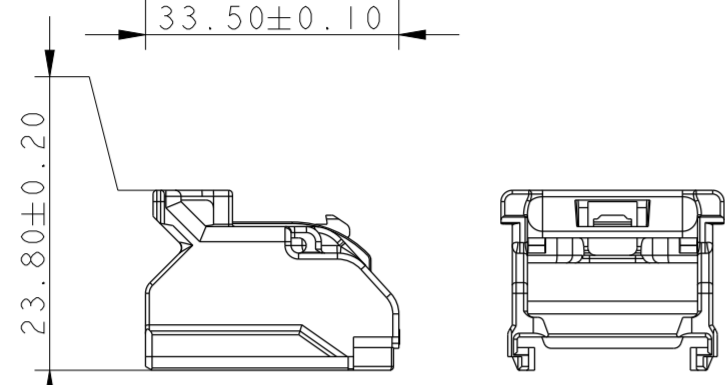
LOGO MVL
MVL LOGO



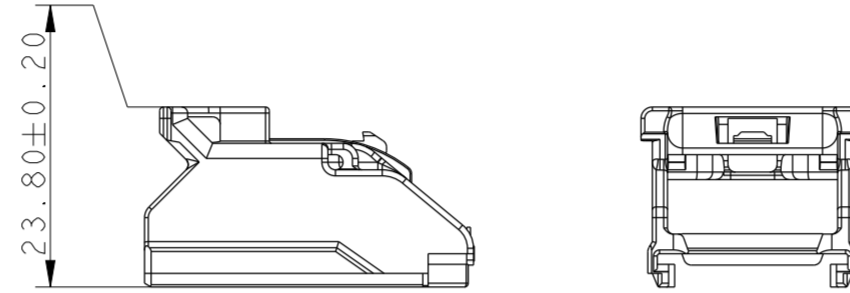
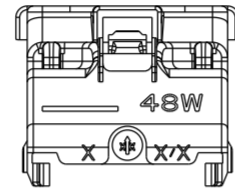
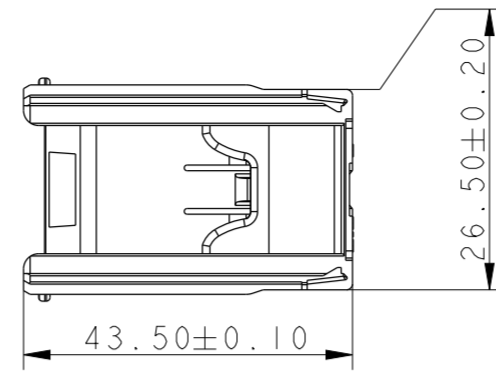
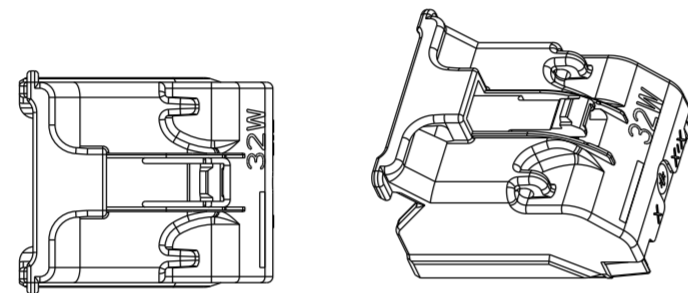
N°D'EMPREINTE DU CAPOT
MOLD NUMBER OF COVER

DATEUR (MOIS/ANNEE)
DATE INDICATOR (MONTH/YEAR)

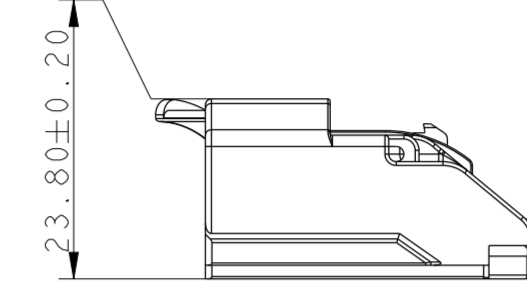
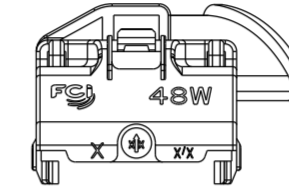
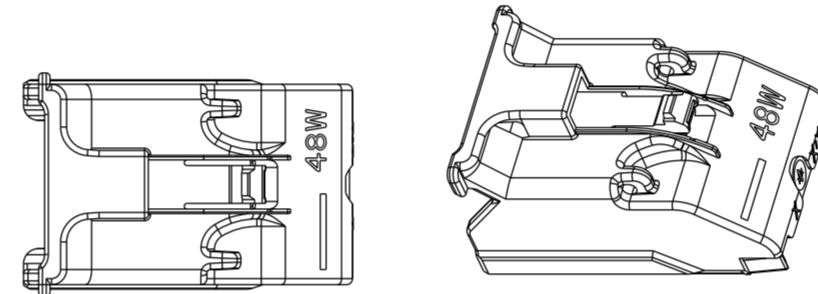
INDICE DU CAPOT
REVISION LEVEL OF COVER



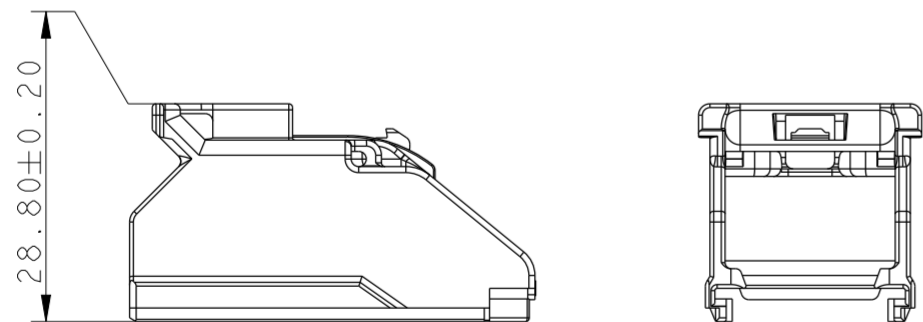
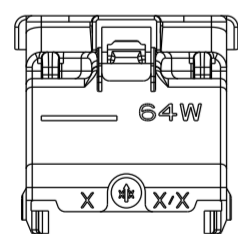
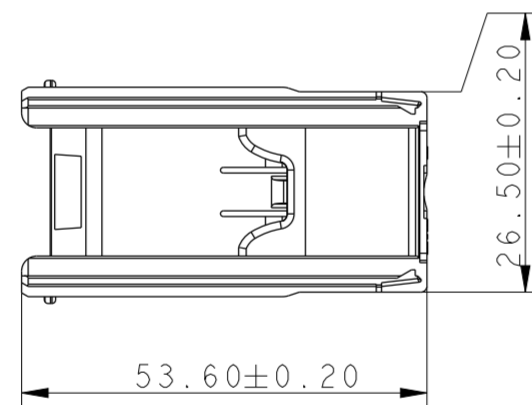
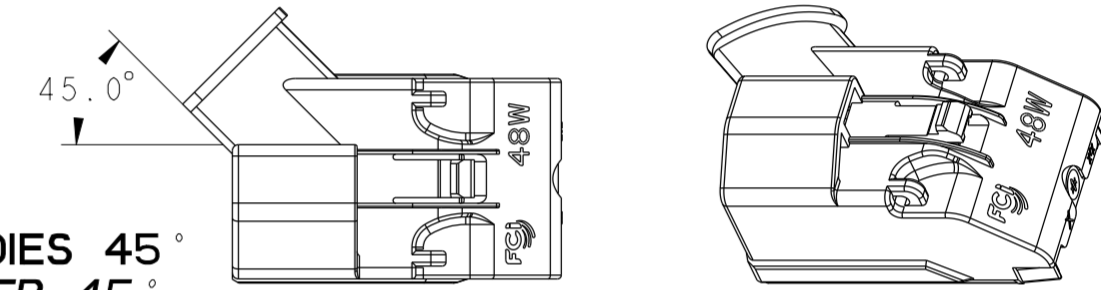
CAPOT 32 VOIES
32 WAY COVER
MVL P/N: PPI0001522
DELPHI P/N: 13851307



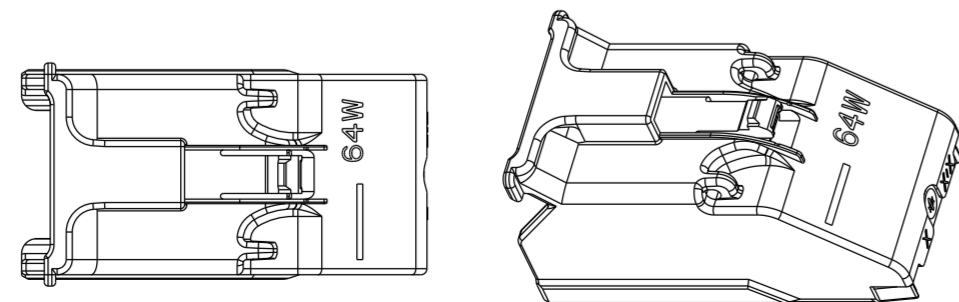
CAPOT 48 VOIES
48 WAY COVER
MVL P/N: F965000
DELPHI P/N: 13956254



CAPOT 48 VOIES 45°
48 WAY COVER 45°
MVL P/N: PPI0001538
DELPHI P/N: 33517228



CAPOT 64 VOIES
64 WAY COVER
MVL P/N: PPI0001526
DELPHI P/N: 13648597



CAPOT / COVER				MODULE MODULE	PRODUITS ASSOCIES / ASSOCIATED PARTS															
MVL		DELPHI			CODAGE CODING	ETANCHEITE SEALING	SORTIE FAISEAU WIRING OUT	MVL		DELPHI		IND. REV.	IND. REV.							
REF. P/N	REV. REV.	REF. P/N	REV. REV.					REF. P/N	IND. REV.	REF. P/N	IND. REV.									
PPI0001522	C	13851307	01	32 VOIES 32 WAY	NOIR BLACK	ETANCHE SEALED	GAUCHE LEFT	PP10001487	C	13741940	01									
							DROIT RIGHT	PP10001488	C	13851306	01									
							GAUCHE LEFT	PP10001506	C	33500507	01									
							DROIT RIGHT	PP10001489	C	33500494	01									
							GAUCHE LEFT	PP10001490	C	33500495	01									
							DROIT RIGHT	PP10001491	C	33500496	01									
							GAUCHE LEFT	PP10001492	C	33500497	01									
							DROIT RIGHT	PP10001493	C	33500498	01									
							GAUCHE LEFT	F552100	C	33500411	01									
							DROIT RIGHT	F252100	C	33500400	01									
							GAUCHE LEFT	PP10001494	C	13956021	01									
							DROIT RIGHT	PP10001495	C	13956255	01									
F965000 PPI0001538	C	13956254 13956254	01	48 VOIES 48 WAY	NOIR BLACK	NON ETANCHE UNSEALED	GAUCHE LEFT	F752100	C	33500417	01									
							DROIT RIGHT	F452100	C	33500408	01									
							GAUCHE LEFT	PP10001496	C	33500499	01									
							DROIT RIGHT	PP10001497	C	33500500	01									
							GAUCHE LEFT	F652100	C	33500414	01									
							DROIT RIGHT	F352100	C	33500405	01									
							GAUCHE LEFT	F765000	C	33500419	01									
							DROIT RIGHT	F865000	C	33500420	01									
							PPI0001526	C	13648597	01	64 VOIES 64 WAY	NOIR BLACK	ETANCHE SEALED	GAUCHE LEFT	PP10001500	C	13722628	01		
														DROIT RIGHT	PP10001501	C	13648596	01		
														GAUCHE LEFT	PP10001502	C	33500503	01		
														DROIT RIGHT	PP10001503	C	33500504	01		
GAUCHE LEFT	PP10001504	C	33500505	01																
DROIT RIGHT	PP10001505	C	33500506	01																

SPECIFICATION DE CONDITIONNEMENT
PACKAGING SPECIFICATION

FE PA 06 013

CAHIER DES CHARGES
SPECIFICATION

NF R 13-462
FE PS 06 002

MISE EN OEUVRE
APPLICATION SPECIFICATION

DOSSIER DE PRECONISATION : PU 087
USER'S MANUAL : PU 087

ECN-NO. / NUMERO ECN: - / -

POSITION: -

CHANGE DESCRIPTION / MODIFICATION: -

CORRECTED DELPHI PART NUMBER FOR PPI0001538 (33517228 WAS 13956254)

PRODUCT SPEC. / SPECIF. PRODUIT: -

PACKAGING SPEC. / SPECIF. EMBALLAGE: -

APPLICATION SPEC. / SPECIF. APPLICATION: -

COPYRIGHT: DELPHI CORPORATION AND/OR ITS AFFILIATES. ALL RIGHTS RESERVED. REVISED THIS DRAWING IS THE PROPERTY OF DELPHI CORPORATION AND CONTAINS DELPHI CONFIDENTIAL INFORMATION. THE REPRODUCTION, DISTRIBUTION AND UTILIZATION OF THIS DOCUMENT OR ITS RELATED CAD DATA, AS WELL AS COMMUNICATION OF ANY CONTENT TO OTHERS, WITHOUT EXPRESS AUTHORIZATION, IS PROHIBITED.

TOLERANCES / TOLERANCES: ±0.1 ±2°

MATERIAL: PBT GF 15

SURFACE FINISH / ETAT DE SURFACE: -

COUNTERPART N° / CONTRE-PARTIE N°: -

COLOUR: NOIR / BLACK

DO NOT MEASURE DRAWING / NE PAS PRENDRE DE COTES

FILE NAME / NOM DE FICHIER: PCC0424207

CREATED BY / CREE PAR: 2006/12/15 F CHAZOTTES

DATE / DATE: 2013/10/14

NAME / NOM: F FAURIE

MODIFIED BY / MODIF. PAR: 2013/10/15 S LACOTE

CHECKED BY / VERIF. PAR: 2013/10/15 Pascal MENARD

APPROVED BY / APPR. PAR: 2013/10/15 Pascal MENARD

PROJECT / PROJET: COVER

PROJECT / PROJET: CMC PROJECT

ESR NO. / NUMERO ESR: EU-03-0112

CAT. NO. / NUMERO CAT.: -

DOCUMENT UNDER PDS CONTROL / DOCUMENT GERE SOUS P.D.S. / NO MODIFICATION ALLOWED OUTSIDE / PAS DE MODIFICATION EN DEHORS

DELPHI
DELPHI PACKARD ELECTRICAL/ELECTRONIC ARCHITECTURE
EPERON, FRANCE

pro / eng.

DIMENSION IN MILLIMETERS / DIMENSIONS EN MILLIMETRES: A2

DWG SIZE / FORMAT: A2

DRAWING NUMBER / REF. PLAN: PCC0424207

REV. / IND.: H

STATE / ETAT: SERIAL RELEASED

PART NUMBER / REF. ARTICLE: See Table

REVISION LEVEL / NIV. D'APPROBATION: -

SHEET / FEUILLE: 1 of 1 sur 1

SCALE / ECH.: 2:1

Mouser Electronics

Authorized Distributor

Click to View Pricing, Inventory, Delivery & Lifecycle Information:

[Aptiv:](#)

[F965000-B](#)