

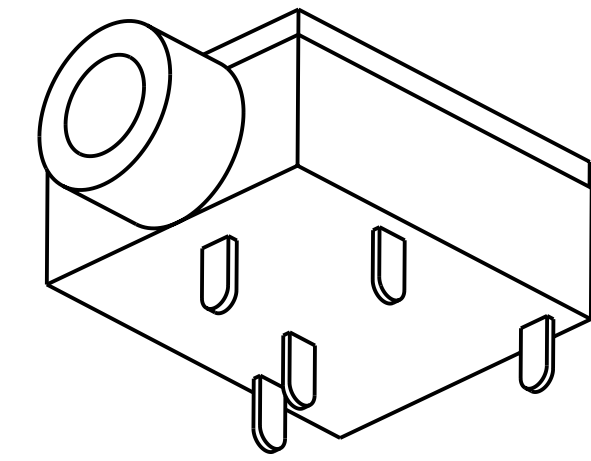
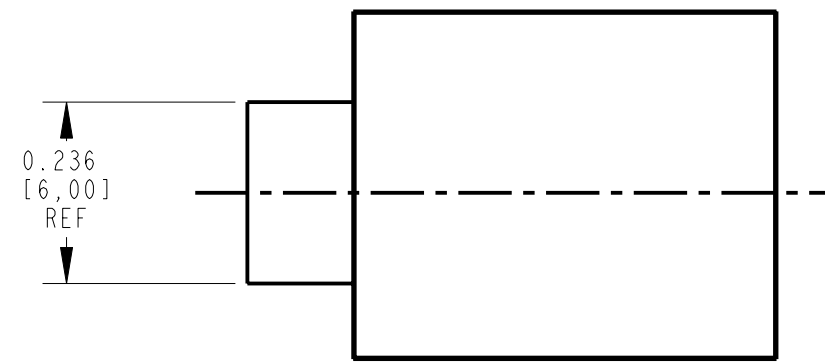
NOTES:

1. ELECTRICAL:  
 CONTACT RESISTANCE: 20 MILLIOHMS MAX. INITIAL  
 100 MILLIOHMS MAX. AFTER LIFE  
 INSULATION RESISTANCE: 100 MEGAOHMS MIN.  
 DIELECTRIC WITH STANDING VOLTAGE: 250 VAC.

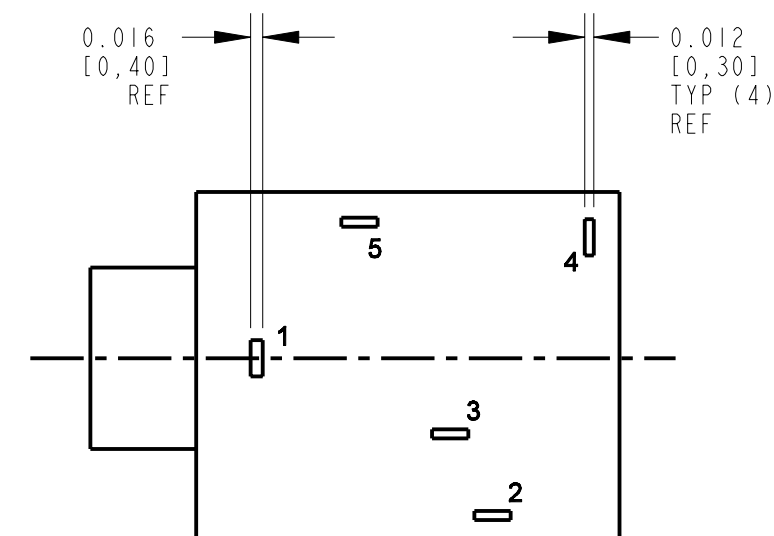
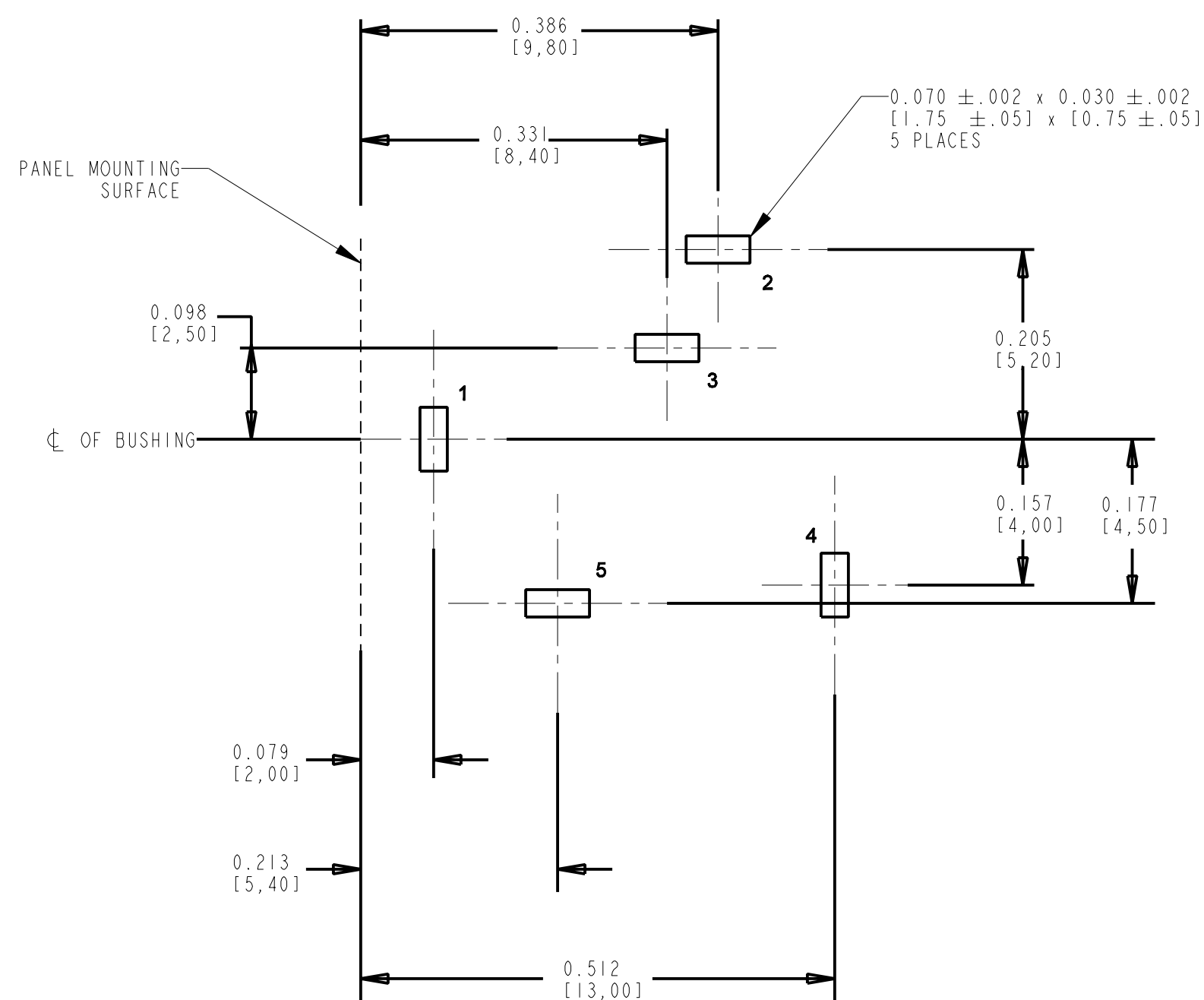
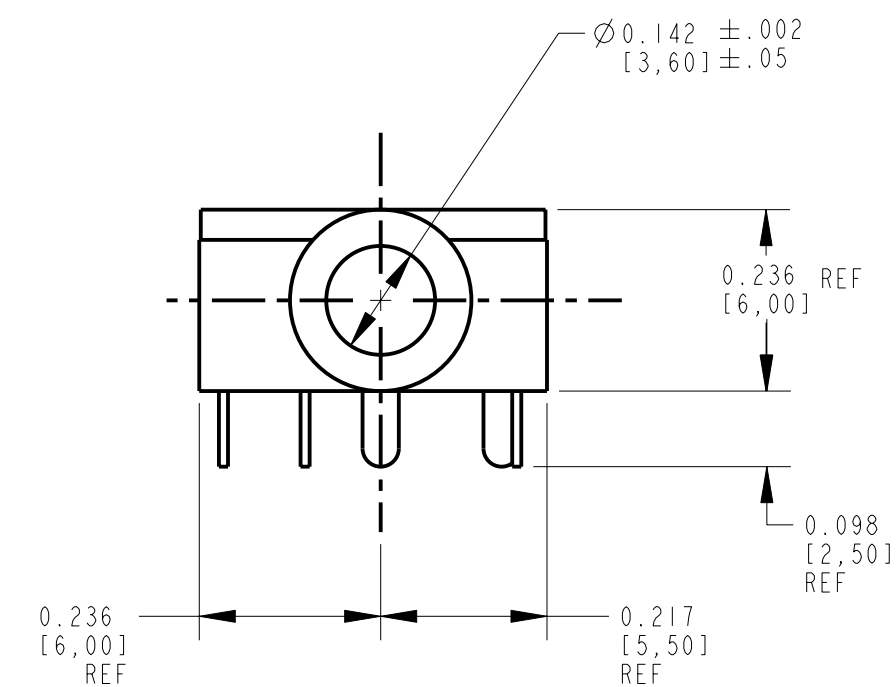
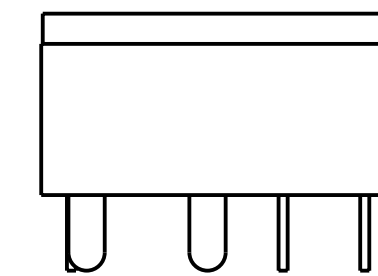
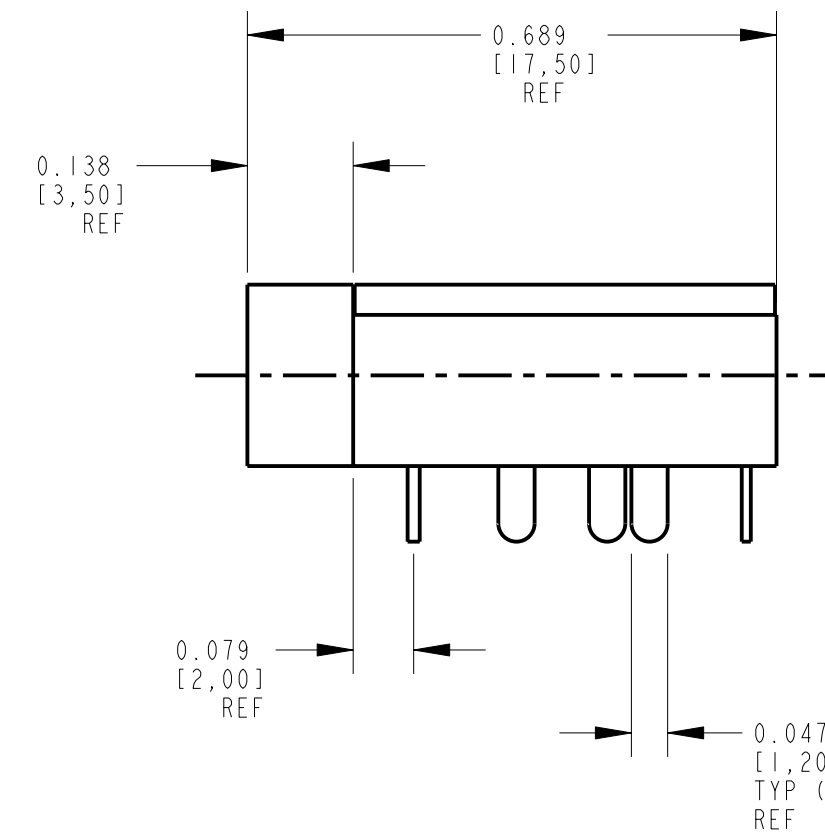
2. MECHANICAL:  
 LIFE: 5000 CYCLES  
 INSERTION FORCE: 0,4 KG TO 1,6 KG  
 WITHDRAWAL FORCE: 0,4 KG TO 1,4 KG

3. MATERIALS:  
 HOUSING: PBT BLACK, UL94-V0  
 BUSHING: BRASS, NICKEL PLATED  
 SPRINGS: COPPER ALLOY, SILVER PLATED  
 COVER: POLYCARBONATE, CLEAR, UL94-V0

4. THIS PRODUCT IS RoHS COMPLIANT.



SCALE 4:1



PART NO.	SCHEMATIC
35RAPC3BHN3	
35RAPC4BHN3	
35RAPC2BHN3	
35RAPC2AHN3	

CUSTOMER DRAWING

REVISIONS				STAR SYMBOL DENOTES CRITICAL DIMENSION				THIS DRAWING DESCRIBES A DESIGN CONSIDERED PROPRIETARY IN NATURE, DEVELOPED AND MANUFACTURED BY SWITCHCRAFT INC. AND IS RELEASED ON A CONFIDENTIAL BASIS FOR IDENTIFICATION PURPOSES ONLY.					
D	27551	8-4-15	TO	TJK	UNLESS OTHERWISE SPECIFIED				SIZE	WIDTH	MULT	LBS/M	TEMPER
C	26658	11-10-10	TO	TJK	1. ALL DIMENSIONS IN INCHES				FINISH				
B	26553	6-8-10	TJK	TJK	- TWO PLACE DECIMALS ±0.01				SPEC No.				
A	RELEASE TO MFG. ECO #19561	5-4-95	SG	GHJ	- THREE PLACE DECIMALS ±0.005				FIRST USED ON				
REV	ECO NUMBER	DATE	BY	APVD	- FRACTIONAL DIMENSIONS ±1/64				SCALE 4:1				
					- ANGLES ±1°				DATE DRAWN BY CHKD APVD				
					- ALL DIA. CONCENTRIC WITHIN 0.005 T.I.R.				4-May-95 SG 5-8-95 5-8-95				
					2. FEATURES ON THE SAME CENTERLINE MUST BE ALIGNED WITHIN ±0.002				MATERIAL SPEC No.				
					3. REMOVE ALL BURRS								
					DO NOT SCALE DRAWING				SHEET 1 OF 1				
									NAME 3.5 MM HORIZONTAL, NON THREADED BUSHING MONO/STEREO JACK, RoHS				
									PART No. 35RAPC_HN3				
									REV D				

RECOMMENDED PC BOARD COMPONENT SIDE