



# IMPACT™ Backplane Connector System

RoHS  
Ready 



**Table of Contents**

**Introduction** . . . . . 3-7

**Daughter Card Receptacle Assemblies**

6 Pair Daughter Card Receptacle Assemblies . . . . . 8

5 Pair Daughter Card Receptacle Assemblies . . . . . 9

4 Pair Daughter Card Receptacle Assemblies . . . . . 10

3 Pair Daughter Card Receptacle Assemblies . . . . . 11

2 Pair Daughter Card Receptacle Assemblies . . . . . 12

**Mezzanine Assemblies**

5 Pair Mezzanine Assemblies . . . . . 13

**Backplane Header Assemblies**

6 Pair Backplane Header Assemblies . . . . . 14

5 Pair Backplane Header Assemblies . . . . . 15

4 Pair Backplane Header Assemblies . . . . . 16

3 Pair Backplane Header Assemblies . . . . . 17

2 Pair Backplane Header Assemblies . . . . . 18

**Coplanar Header (RAM) Assemblies**

2 Pair Coplanar Header (RAM) Assemblies . . . . . 19

**Orthogonal Receptacle Assemblies**

6 Pair Orthogonal Receptacle Assemblies . . . . . 20

5 Pair Orthogonal Receptacle Assemblies . . . . . 21

4 Pair Orthogonal Receptacle Assemblies . . . . . 22

3 Pair Orthogonal Receptacle Assemblies . . . . . 23

**Orthogonal Header Assemblies**

6 Pair Orthogonal Header Assemblies . . . . . 24

5 Pair Orthogonal Header Assemblies . . . . . 25

4 Pair Orthogonal Header Assemblies . . . . . 26

3 Pair Orthogonal Header Assemblies . . . . . 27

**Part Number Index** . . . . . 28

**Global Contacts** . . . . . 31

**Disclaimer**

While TE has made every reasonable effort to ensure the accuracy of the information in this catalog, TE does not guarantee that it is error-free, nor does TE make any other representation, warranty or guarantee that the information is accurate, correct, reliable or current. TE reserves the right to make any adjustments to the information contained herein at any time without notice. TE expressly disclaims all implied warranties regarding the information contained herein, including, but not limited to, any implied warranties of merchantability or fitness for a particular purpose. The dimensions in this catalog are for reference purposes only and are subject to change without notice. Specifications are subject to change without notice. Consult TE for the latest dimensions and design specifications.

© Copyright 2011 Tyco Electronics Corporation. All Rights Reserved.

MULTIGIG RT, Z-PACK, Z-PACK HM-Zd, Z-PACK HS3, Z-PACK Slim UHD, Z-PACK TinMan, TE Connectivity, TE connectivity (logo) and TE (logo) are trademarks of the TE Connectivity Ltd family of companies.

IMPACT is a trademark of Molex, Inc.

Other logos, product and Company names mentioned herein may be trademarks of their respective owners.

Visit the IMPACT connector webpage at: [www.te.com/products/Impact](http://www.te.com/products/Impact)

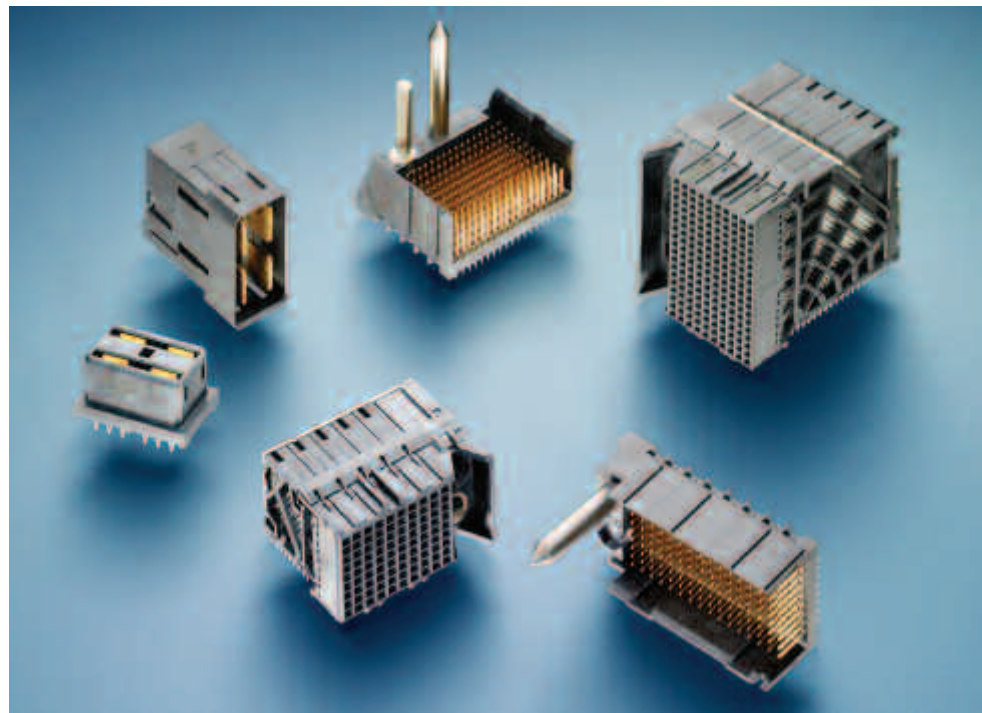
## Introduction

### Product Facts

- Differential pair density up to 80 pairs per linear inch
- Broad-edge-coupled, differential-pair system
- PCB routing complexity and costs are reduced by using 1.90 mm by 1.35 mm (.075" by .053") grid on backplane and daughter card
- Offers flexibility and advanced mechanical and electrical performance with two compliant-pin attach options
- Inline staggered, bifurcated contact beams in daughter card interface provides improved mating performance

### Industry Applications

- Telecommunications equipment
  - Hubs, routers, switches
- Central office, cellular infrastructure and multi-platform service (DSL, Cable Data) systems
- Data networking equipment
  - Servers
  - Storage
- Test and measurement equipment
- Medical diagnostic equipment



TE Connectivity offers a variety of backplane/midplane solutions to meet the demand for increased network bandwidth and advanced technology. Each solution is designed for high performance, increased density and compatibility with industry-standard interfaces. TE provides a user-friendly transition between the PCB-mounted connector and the backplane/midplane. TE has extensive knowledge and expertise on high-speed interface design. Your specific needs can be customized and transformed into new manufacturable designs.

The IMPACT backplane connector and cable system from TE pushes the speed and density envelope to meet the growing demands of next-generation telecommunication and data net-

working equipment; the system is available in 2-6 pair configurations with a complete range of guidance and power-solution options plus right-angle cable assemblies.

The IMPACT system is available in two compliant-pin design options on both daughter card and backplane connectors, providing customers ultimate flexibility to optimize their designs for advanced mechanical and electrical performance. The IMPACT system's mating interface provides in-line staggered, bifurcated contacts that provide 2 points of contact for the long-term reliability performance and built-in, ground-signal sequencing. This reduces the average mating force per connector to improve the mechanical mating performance of the system.

### Material and Finish

- Signal Contact** — High Performance Copper (Cu) Alloy
- Ground Contact** — High Performance Copper (Cu) Alloy
- Housing** — Liquid Crystal Polymer, UL 94V-0

### Platings

- Contact Area** — 0.76  $\mu\text{m}$  (30  $\mu\text{m}$ ) Gold (Au) min.
- Solder Tail Area** — Tin (Sn) or Tin/Lead (Sn/Pb)
- Underplating** — Nickel (Ni)
- PCB Thickness** — 1.60 mm (.062") typical

### Ratings

- Temperature Range** — -55°C to 85°C max.
- Current Rating** — 0.75 A per pin max.
- Durability** — 200 cycles
- Operating Voltage** — 30 VAC RMS/DC max.
- Mating Force** — 0.30 N (9.066 lb) max. per pin
- Compliant Pin Retention Force to PCB** — 3.56 N (.80 lb) per compliant pin average min.
- Compliant Pin Insertion Force to PCB** — 26.7 N (6.0 lb) max. per contact
- Signal Integrity**
- Insulation Resistance** — 10,000 Megohms min.

### Technical Documents

#### Product Specification

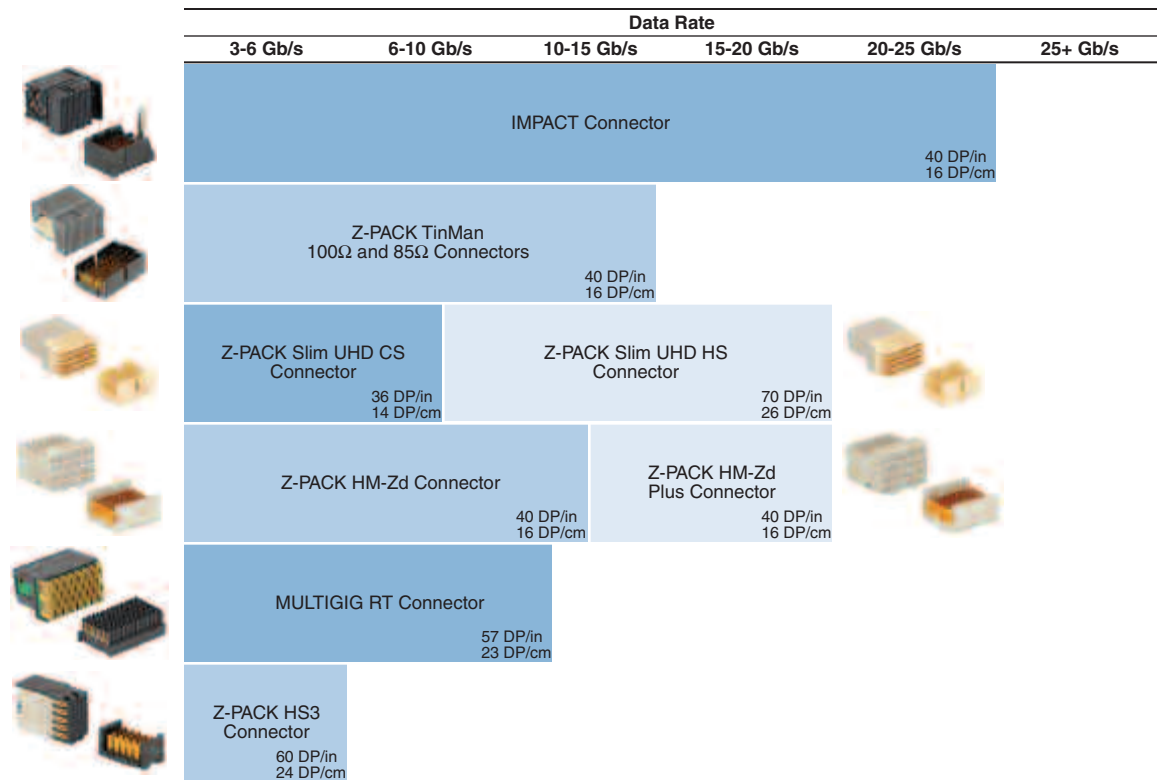
108-2351

#### Application Specification

114-13258

Visit the IMPACT connector webpage at: [www.te.com/products/Impact](http://www.te.com/products/Impact)

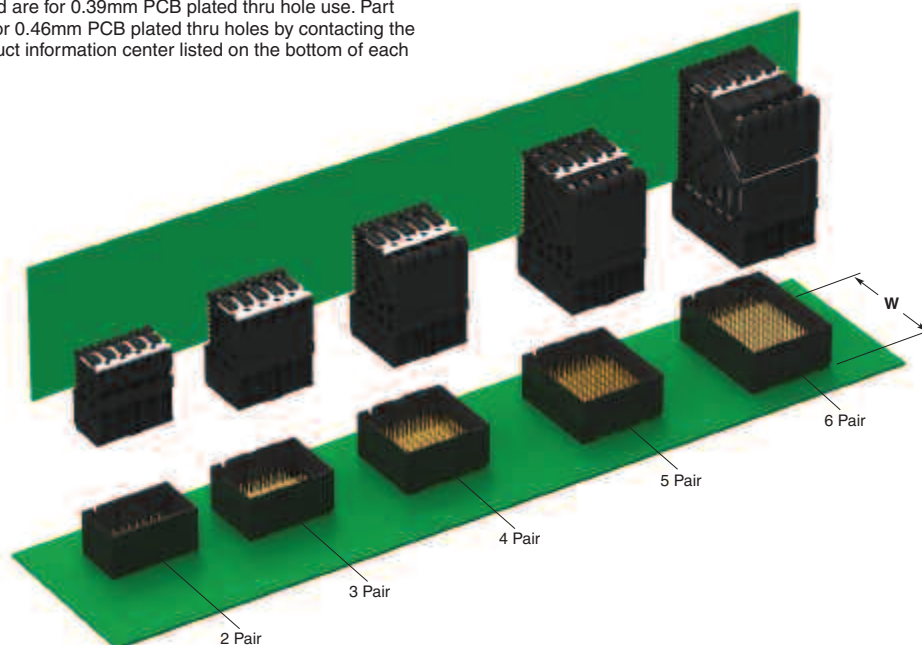
**Introduction** (Continued)



|                         | Header Width (W) | Pairs/Inch |
|-------------------------|------------------|------------|
| 2 Pair IMPACT Connector | 12.65 mm         | 27         |
| 3 Pair IMPACT Connector | 16.70 mm         | 40         |
| 4 Pair IMPACT Connector | 20.75 mm         | 54         |
| 5 Pair IMPACT Connector | 24.8 mm          | 67         |
| 6 Pair IMPACT Connector | 28.85 mm         | 80         |

|        | Receptacles | Headers   |
|--------|-------------|-----------|
| 2 Pair | 2057405-1   | 2057428-1 |
| 3 Pair | 2007705-1   | 2007786-1 |
| 4 Pair | 2007717-1   | 2007818-1 |
| 5 Pair | 2110106-1   | 2007850-1 |
| 6 Pair | 2007741-1   | 2007882-1 |

All the numbers provided are for 0.39mm PCB plated thru hole use. Part numbers are available for 0.46mm PCB plated thru holes by contacting the respective country product information center listed on the bottom of each page.



Visit the IMPACT connector webpage at: [www.te.com/products/Impact](http://www.te.com/products/Impact)



**Introduction** (Continued)

**IMPACT Connector Family**  
**Standard, Monoblock**  
**Solutions**

2 Pair IMPACT (W = 12.65 mm)  
Density = 27 Pairs/Inch  
10 column = 20 Diff. Pairs  
16 column = 32 Diff. Pairs



3 Pair IMPACT (W = 16.7 mm)  
Density = 40 Pairs/Inch  
10 column = 30 Diff. Pairs  
16 column = 48 Diff. Pairs



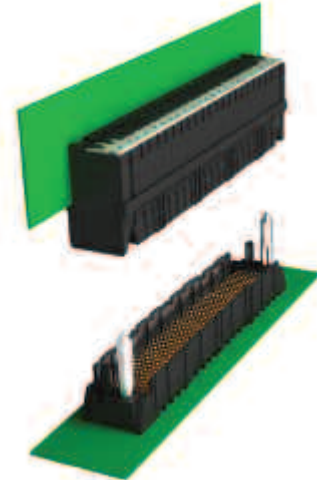
4 Pair IMPACT (W = 20.75 mm)  
Density = 54 Pairs/Inch  
10 column = 40 Diff. Pairs  
16 column = 64 Diff. Pairs



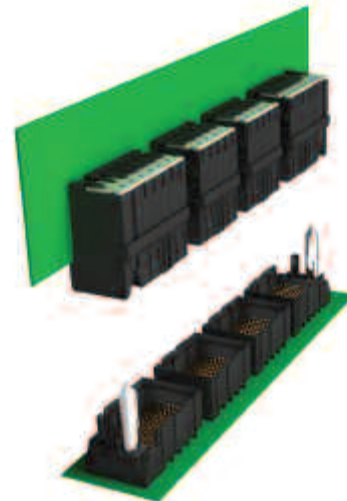
5 Pair IMPACT (W = 24.80 mm)  
Density = 67 Pairs/Inch  
10 column = 50 Diff. Pairs  
16 column = 80 Diff. Pairs



6 Pair IMPACT (W = 28.85 mm)  
Density = 80 Pairs/Inch  
10 column = 60 Diff. Pairs  
16 column = 96 Diff. Pairs



End-to-End Stackable Example



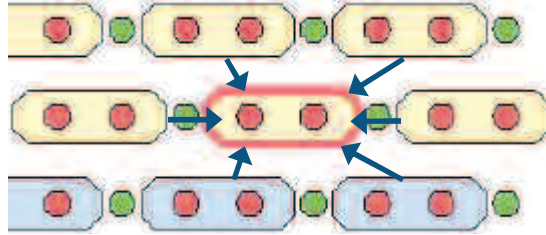
End Wall Separation Example

Visit the IMPACT connector webpage at: [www.te.com/products/Impact](http://www.te.com/products/Impact)

**Introduction** (Continued)

**Worst Case Crosstalk**

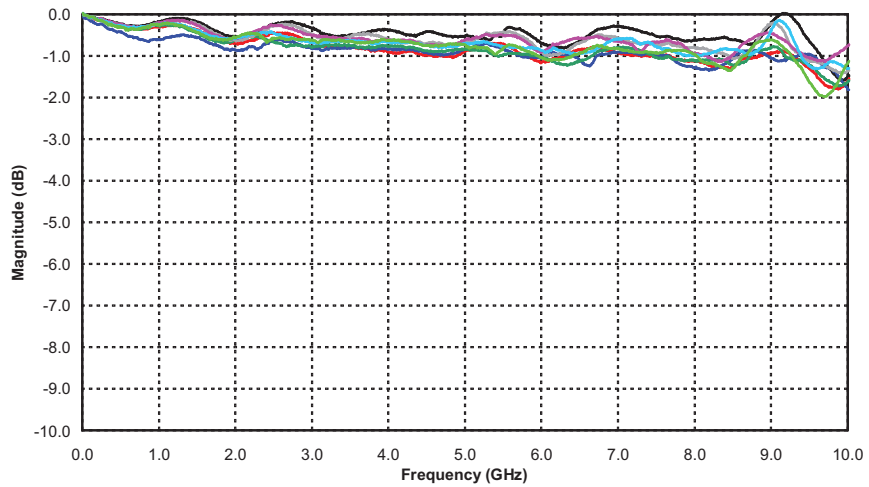
|  |             |
|--|-------------|
| All NEXT                                       | 2.7%        |
| All FeXT                                       | 0.7%        |
| <b>Recommended Pinout<br/>(as shown below)</b> | <b>1.5%</b> |



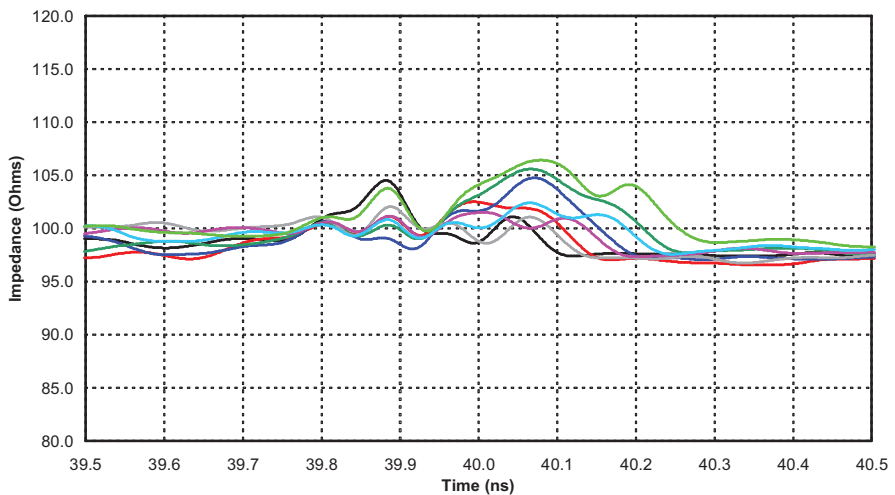
**Test Data**

- Vertical Header — Right-Angle Receptacle
  - 4 pair connector module
  - 1.9 mm column pitch
  - 0.0146" plated through holes
- 50 ps (20-80%) edge rate
- Includes two 1.5 mm [0.060] vias to bottom layer traces
- Asynchronous noise sum of peaks from each aggressor, divided by differential swing (A-B)

**Differential Insertion Loss**



**Differential Impedance**

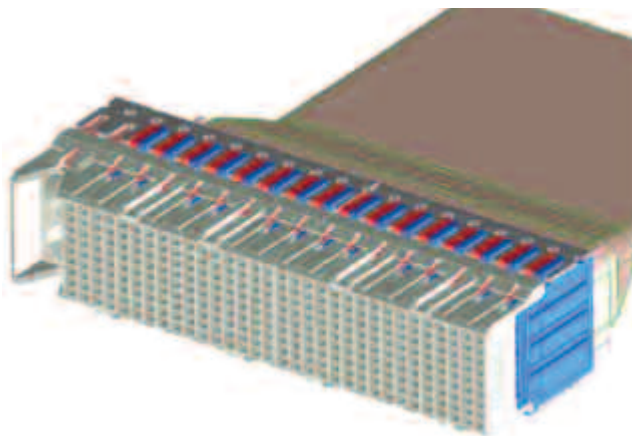


Visit the IMPACT connector webpage at: [www.te.com/products/Impact](http://www.te.com/products/Impact)

**Introduction** (Continued)

**IMPACT High Performance Cable Assembly Planned:**

- 3 x 16 wafer stack — 96 diff. pair total
- IMPACT wafer to wafer pitch — 3.8 mm
- Assumes 3 m length — 26 AWG raw cable
- Integral guidance
- Robust, stamped, metal wafer stack stiffener



**100 Ohm**

| Pair Size | Columns | Pins | Pairs |
|-----------|---------|------|-------|
| 2 Pair    | 10      | 60   | 20    |
|           | 16      | 96   | 32    |
| 3 Pair    | 8       | 72   | 24    |
|           | 10      | 90   | 30    |
|           | 16      | 144  | 48    |
| 4 Pair    | 8       | 96   | 32    |
|           | 10      | 120  | 40    |
|           | 16      | 192  | 64    |
| 5 Pair    | 10      | 150  | 50    |
|           | 12      | 180  | 60    |
|           | 16      | 240  | 80    |
| 6 Pair    | 10      | 180  | 60    |
|           | 14      | 252  | 84    |
|           | 16      | 288  | 96    |

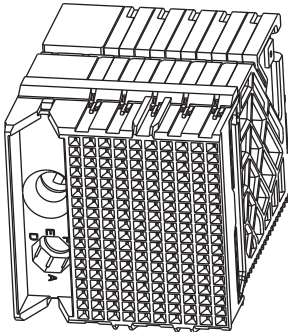
**85 Ohm**

| Pair Size | Columns | Pins | Pairs |
|-----------|---------|------|-------|
| 5 Pair    | 10      | 150  | 50    |
|           | 16      | 240  | 80    |

Visit the IMPACT connector webpage at: [www.te.com/products/Impact](http://www.te.com/products/Impact)

## Daughter Card Receptacle Assemblies

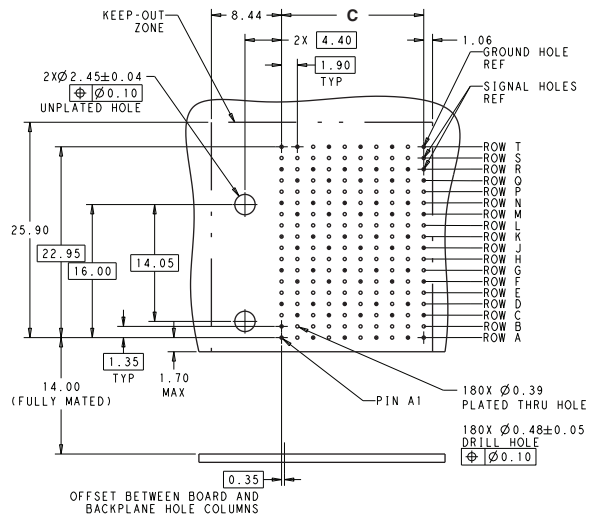
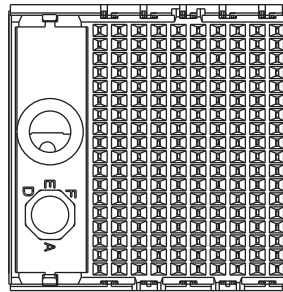
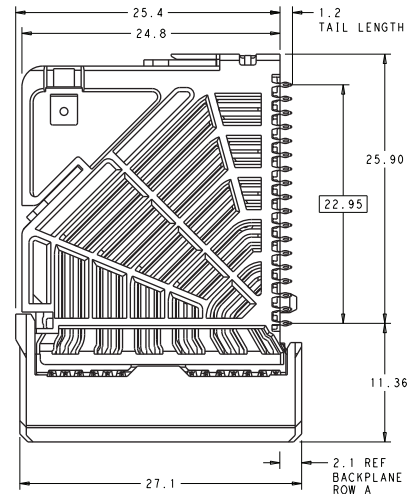
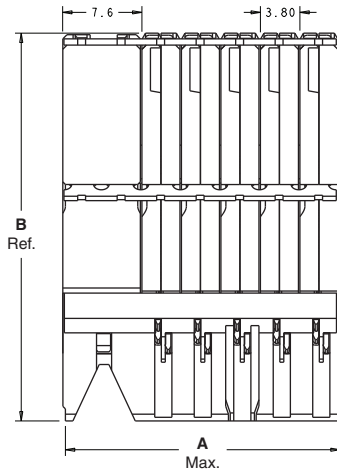
### 6 Pair Daughter Card Receptacle Assemblies



| Column | Guide    | Part Number | Dimension |      |      | Application Tooling | Mates With |
|--------|----------|-------------|-----------|------|------|---------------------|------------|
|        |          |             | A         | B    | C    |                     |            |
| 10     | Left     | 2007739-1   | 26.6      | 37.3 | 17.1 | 2018534-1           | 2007873-1  |
|        | Right    | 2007740-1   | 26.6      | 37.3 | 17.1 | 2018534-1           | 2007877-1  |
|        | Unguided | 2007741-1   | 19        | 37.3 | 17.1 | 2018534-1           | 2007886-1  |
| 16     | Left     | 2007745-1   | 38        | 37.3 | 28.5 | 2018535-1           | 2007889-1  |
|        | Right    | 2007746-1   | 38        | 37.3 | 28.5 | 2018535-1           | 2007893-1  |
|        | Unguided | 2007747-1   | 30.4      | 37.3 | 28.5 | 2018535-1           | 2007902-1  |

**Note:** 10 column part number 2007739-1 is pictured below.

All the numbers provided are for 0.39mm PCB plated thru hole use. Part numbers are available for 0.46mm PCB plated thru holes by contacting the respective country product information center listed on the bottom of each page.



|  |      |
|--|------|
|  | None |
|  |      |
|  |      |
|  |      |
|  |      |

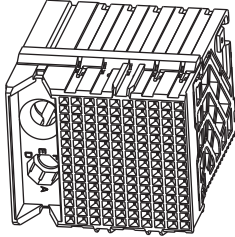
**Recommended PCB Layout**  
Min. Board Thickness 1.0

Visit the IMPACT connector webpage at: [www.te.com/products/Impact](http://www.te.com/products/Impact)



## Daughter Card Receptacle Assemblies (Continued)

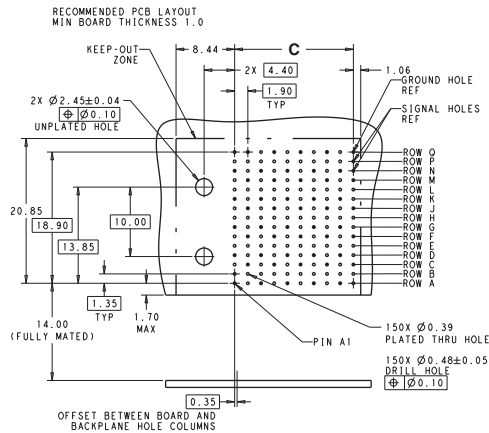
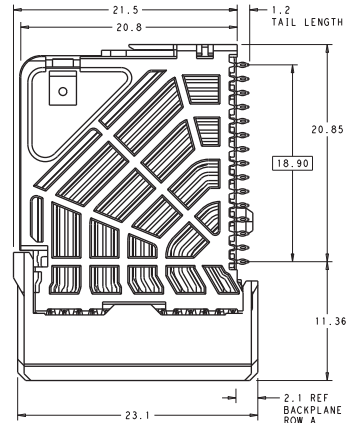
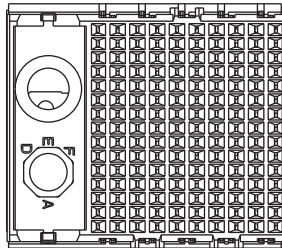
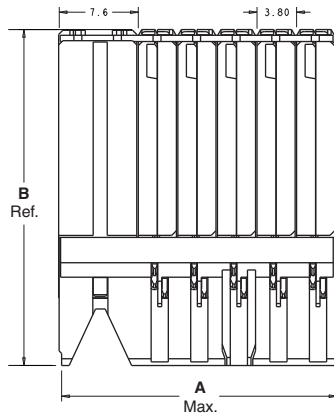
### 5 Pair Daughter Card Receptacle Assemblies



| Column | Guide    | Part Number | Dimension |      |      | Application Tooling | Mates With |
|--------|----------|-------------|-----------|------|------|---------------------|------------|
|        |          |             | A         | B    | C    |                     |            |
| 10     | Left     | 2110104-1   | 26.6      | 32.3 | 17.1 | 2018448-1           | 2007841-1  |
|        | Right    | 2110105-1   | 26.6      | 32.3 | 17.1 | 2018448-1           | 2007845-1  |
|        | Unguided | 2110106-1   | 19.0      | 32.3 | 17.1 | 2018448-1           | 2007854-1  |
| 16     | Left     | 2110122-1   | 38.0      | 32.3 | 28.5 | 2018532-1           | 2007857-1  |
|        | Right    | 2110123-1   | 38.0      | 32.3 | 28.5 | 2018532-1           | 2007861-1  |
|        | Unguided | 2110124-1   | 30.4      | 32.3 | 28.5 | 2018532-1           | 2007870-1  |

**Note:** 10 column part number 2110104-1 is pictured below.

All the numbers provided are for 0.39mm PCB plated thru hole use. Part numbers are available for 0.46mm PCB plated thru holes by contacting the respective country product information center listed on the bottom of each page.



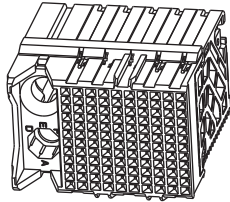
| Key Position Chart |      |
|--------------------|------|
|                    | None |
|                    |      |
|                    |      |
|                    |      |
|                    |      |

**Recommended PCB Layout**  
Min. Board Thickness 1.0

Visit the IMPACT connector webpage at: [www.te.com/products/Impact](http://www.te.com/products/Impact)

### Daughter Card Receptacle Assemblies (Continued)

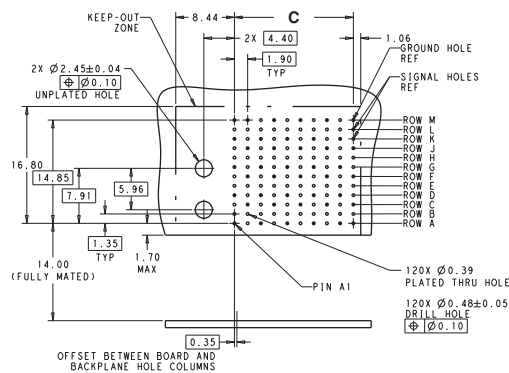
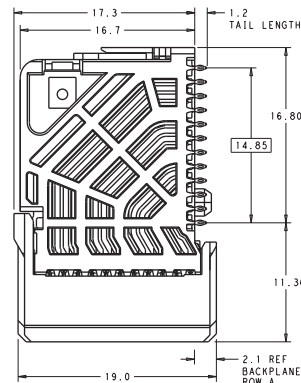
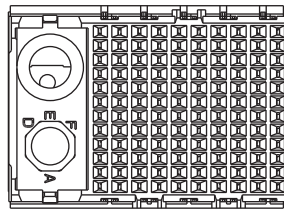
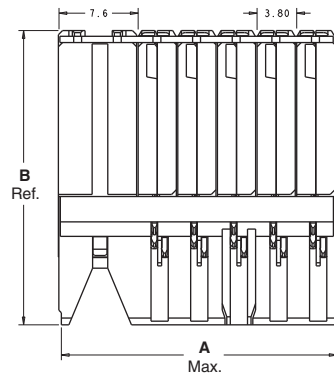
#### 4 Pair Daughter Card Receptacle Assemblies



| Column | Guide    | Part Number | Dimension |      |      | Application Tooling | Mates With |
|--------|----------|-------------|-----------|------|------|---------------------|------------|
|        |          |             | A         | B    | C    |                     |            |
| 10     | Left     | 2007715-1   | 26.6      | 28.2 | 17.1 | 2018530-1           | 2007809-1  |
|        | Right    | 2007716-1   | 26.6      | 28.2 | 17.1 | 2018530-1           | 2007813-1  |
|        | Unguided | 2007717-1   | 19        | 28.2 | 17.1 | 2018530-1           | 2007822-1  |
| 16     | Left     | 2007721-1   | 38        | 28.2 | 28.5 | 2018531-1           | 2007825-1  |
|        | Right    | 2007722-1   | 38        | 28.2 | 28.5 | 2018531-1           | 2007829-1  |
|        | Unguided | 2007723-1   | 30.4      | 28.2 | 28.5 | 2018531-1           | 2007838-1  |

**Note:** 10 column part number 2007715-1 is pictured below.

All the numbers provided are for 0.39mm PCB plated thru hole use. Part numbers are available for 0.46mm PCB plated thru holes by contacting the respective country product information center listed on the bottom of each page.



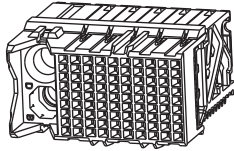
**Recommended PCB Layout**  
Min. Board Thickness 1.0

| Key Position Chart |      |
|--------------------|------|
|                    | None |
|                    |      |
|                    |      |
|                    |      |
|                    |      |

Visit the IMPACT connector webpage at: [www.te.com/products/Impact](http://www.te.com/products/Impact)

### Daughter Card Receptacle Assemblies (Continued)

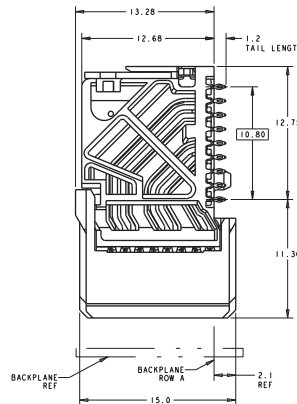
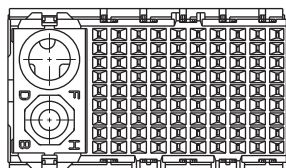
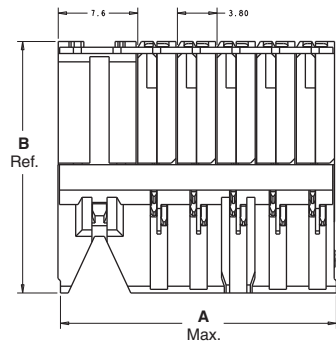
#### 3 Pair Daughter Card Receptacle Assemblies



| Column | Guide    | Part Number | Dimension |      |      | Application Tooling | Mates With |
|--------|----------|-------------|-----------|------|------|---------------------|------------|
|        |          |             | A         | B    | C    |                     |            |
| 10     | Left     | 2007703-1   | 26.6      | 24.2 | 17.1 | 2018380-1           | 2007777-1  |
|        | Right    | 2007704-1   | 26.6      | 24.2 | 17.1 | 2018380-1           | 2007781-1  |
|        | Unguided | 2007705-1   | 19        | 24.2 | 17.1 | 2018380-1           | 2007789-1  |
| 16     | Left     | 2007709-1   | 38        | 24.2 | 28.5 | 2018381-1           | 2007793-1  |
|        | Right    | 2007710-1   | 38        | 24.2 | 28.5 | 2018381-1           | 2007797-1  |
|        | Unguided | 2007711-1   | 30.4      | 24.2 | 28.5 | 2018381-1           | 2007805-1  |

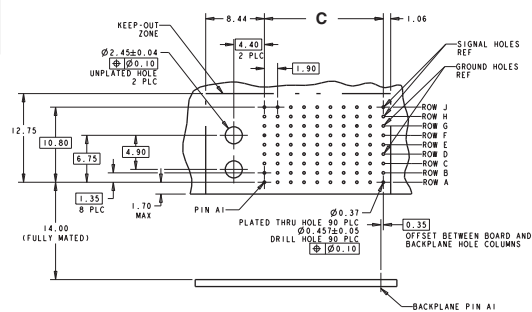
**Note:** 10 column part number 2007703-1 is pictured below.

All the numbers provided are for 0.39mm PCB plated thru hole use. Part numbers are available for 0.46mm PCB plated thru holes by contacting the respective country product information center listed on the bottom of each page.



**Key Position Chart**

|  |      |
|--|------|
|  | None |
|  |      |
|  |      |
|  |      |
|  |      |

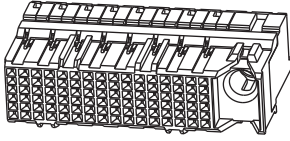


**Recommended PCB Layout  
Min. Board Thickness 1.0**

Visit the IMPACT connector webpage at: [www.te.com/products/Impact](http://www.te.com/products/Impact)

## Daughter Card Receptacle Assemblies (Continued)

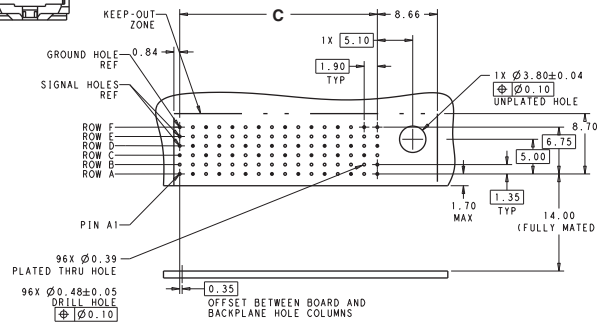
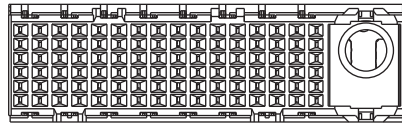
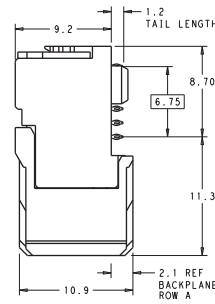
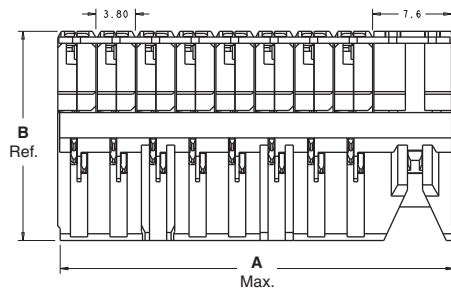
### 2 Pair Daughter Card Receptacle Assemblies



| Column | Guide    | Part Number | Dimension |      |      | Application Tooling | Mates With |
|--------|----------|-------------|-----------|------|------|---------------------|------------|
|        |          |             | A         | B    | C    |                     |            |
| 10     | Left     | 2057403-1   | 26.6      | 20.1 | 17.1 | 2018538-1           | 2057419-1  |
|        | Right    | 2057404-1   | 26.6      | 20.1 | 17.1 | 2018538-1           | 2057423-1  |
|        | Unguided | 2057405-1   | 19        | 20.1 | 17.1 | 2018538-1           | 2057432-1  |
| 16     | Left     | 2057409-1   | 38        | 20.1 | 28.5 | 2018539-1           | 2057737-1  |
|        | Right    | 2057410-1   | 38        | 20.1 | 28.5 | 2018539-1           | 2057741-1  |
|        | Unguided | 2057411-1   | 30.4      | 20.1 | 28.5 | 2018539-1           | 2057750-1  |

**Note:** 16 column part number 2057410-1 is pictured below.

All the numbers provided are for 0.39mm PCB plated thru hole use. Part numbers are available for 0.46mm PCB plated thru holes by contacting the respective country product information center listed on the bottom of each page.

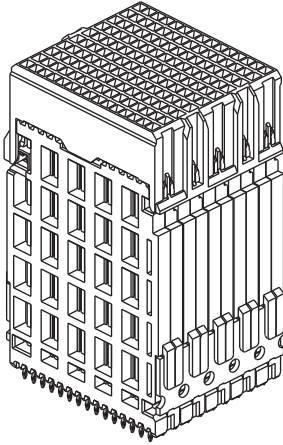


**Recommended PCB Layout**  
Min. Board Thickness 1.6

Visit the IMPACT connector webpage at: [www.te.com/products/Impact](http://www.te.com/products/Impact)

## Mezzanine Assemblies

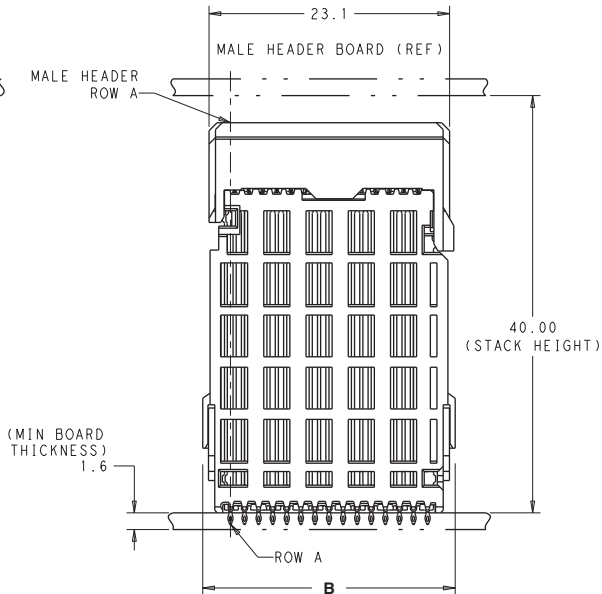
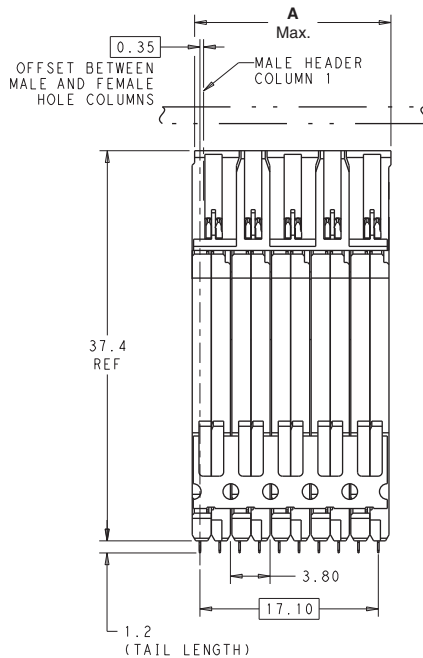
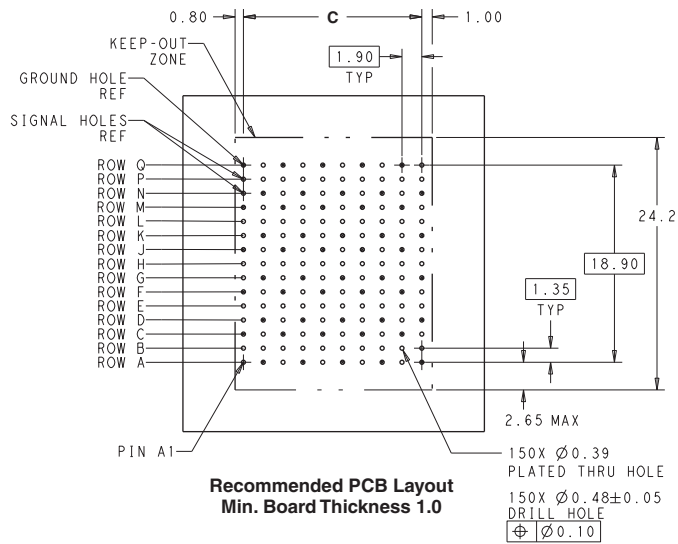
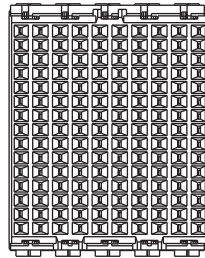
### 5 Pair Mezzanine Receptacle Assemblies



| Column | Stack Height | Guide    | Part Number | Dimension |      |      | Application Tooling | Mates With |
|--------|--------------|----------|-------------|-----------|------|------|---------------------|------------|
|        |              |          |             | A         | B    | C    |                     |            |
| 10     | 40 mm        | Left     | 2149911-1   | 26.6      | 24.2 | 17.1 | 2018774-1           | 2007840-1  |
|        |              | Right    | 2149912-1   | 26.6      | 24.2 | 17.1 | 2018774-1           | 2007844-1  |
|        |              | Unguided | 2149913-1   | 19.0      | 24.2 | 17.1 | 2018774-1           | 2007850-1  |
| 16     | 28 mm        | Left     | 2149392-1   | 26.6      | 24.2 | 28.5 | 2018774-2           | 2007856-1  |
|        |              | Right    | 2149393-1   | 26.6      | 24.2 | 28.5 | 2018774-2           | 2007860-1  |
|        |              | Unguided | 2149394-1   | 19.0      | 24.2 | 28.5 | 2018774-2           | 2007866-1  |

**Note:** 10 column part number 2149913-1 is pictured below.

All the numbers provided are for 0.39mm PCB plated thru hole use. Part numbers are available for 0.46mm PCB plated thru holes by contacting the respective country product information center listed on the bottom of each page.

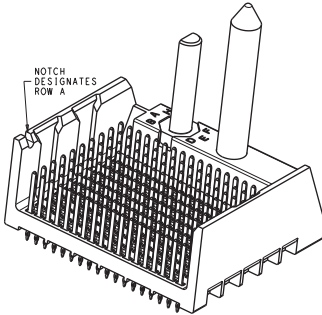


Visit the IMPACT connector webpage at: [www.te.com/products/Impact](http://www.te.com/products/Impact)



## Backplane Header Assemblies

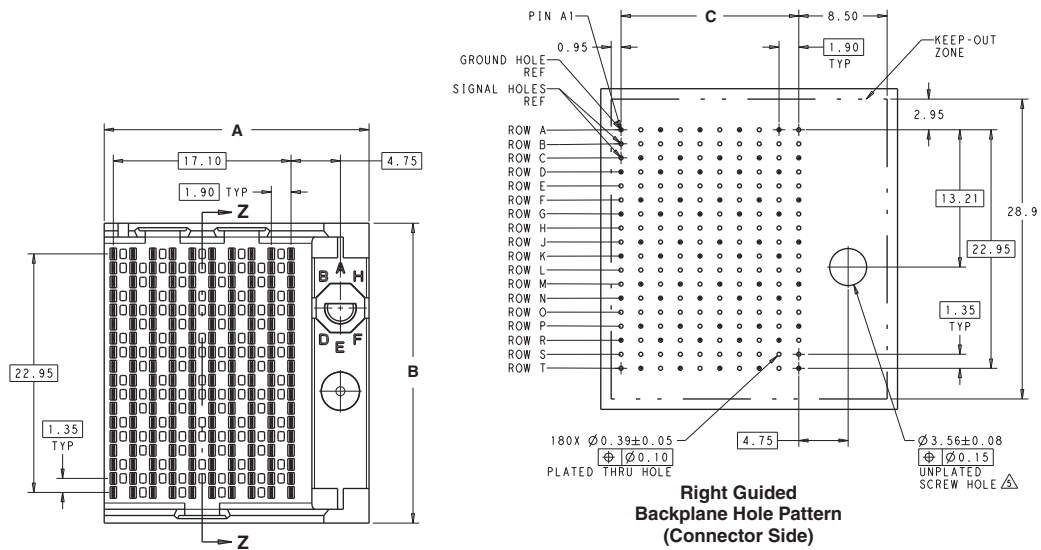
### 6 Pair Backplane Header Assemblies



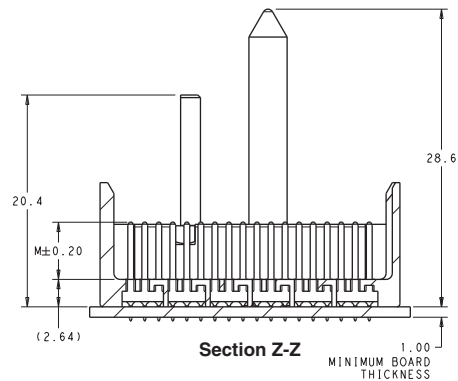
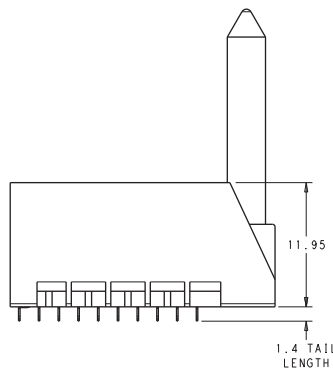
| Column | Guide    | Wall End  | Part Number | Dimension |      |           | Application Tooling | Mates With |
|--------|----------|-----------|-------------|-----------|------|-----------|---------------------|------------|
|        |          |           |             | A         | B    | C         |                     |            |
| 10     | Left     | Right     | 2007875-1   | 26.9      | 28.9 | 17.1      | 2018527-1           | 2007739-1  |
|        |          | Open      | 2007873-1   | 25.5      | 28.9 | 17.1      | 2018527-1           | 2007739-1  |
|        | Right    | Left      | 2007879-1   | 26.9      | 28.9 | 17.1      | 2018527-1           | 2007740-1  |
|        |          | Open      | 2007877-1   | 25.5      | 28.9 | 17.1      | 2018527-1           | 2007740-1  |
|        | Unguided | Left      | 2007885-1   | 20.3      | 28.9 | 17.1      | 2018527-1           | 2007741-1  |
|        |          | Right     | 2007887-1   | 20.3      | 28.9 | 17.1      | 2018527-1           | 2007741-1  |
| 16     | Left     | Open      | 2007884-1   | 18.9      | 28.9 | 17.1      | 2018527-1           | 2007741-1  |
|        |          | Right     | 2007891-1   | 38.3      | 28.9 | 28.5      | 2018528-1           | 2007745-1  |
|        | Right    | Left      | 2007889-1   | 36.9      | 28.9 | 28.5      | 2018528-1           | 2007745-1  |
|        |          | Open      | 2007895-1   | 38.3      | 28.9 | 28.5      | 2018528-1           | 2007746-1  |
|        | Unguided | Open      | 2007893-1   | 36.9      | 28.9 | 28.5      | 2018528-1           | 2007746-1  |
|        |          | Left      | 2007901-1   | 31.7      | 28.9 | 28.5      | 2018528-1           | 2007747-1  |
|        | Unguided | Right     | 2007903-1   | 31.7      | 28.9 | 28.5      | 2018528-1           | 2007747-1  |
|        |          | Dual      | 2007902-1   | 33.1      | 28.9 | 28.5      | 2018528-1           | 2007747-1  |
|        | Open     | 2007900-1 | 30.3        | 28.9      | 28.5 | 2018528-1 | 2007747-1           |            |

**Note:** 10 column part number 2007877-1 is pictured below.

All the numbers provided are for 0.39mm PCB plated thru hole use. Part numbers are available for 0.46mm PCB plated thru holes by contacting the respective country product information center listed on the bottom of each page.



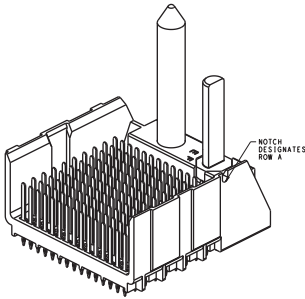
| Key Position Chart |      |
|--------------------|------|
|                    | None |
|                    |      |
|                    |      |
|                    |      |
|                    |      |



Visit the IMPACT connector webpage at: [www.te.com/products/Impact](http://www.te.com/products/Impact)

### Backplane Header Assemblies (Continued)

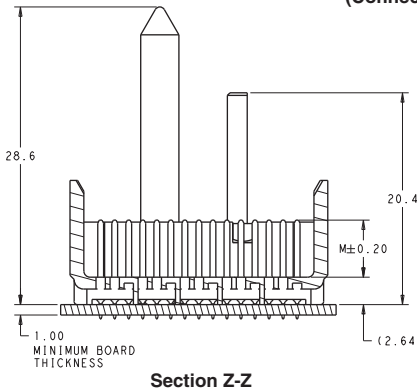
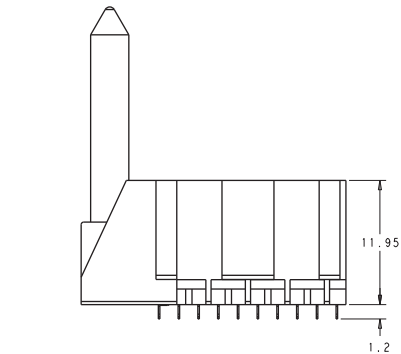
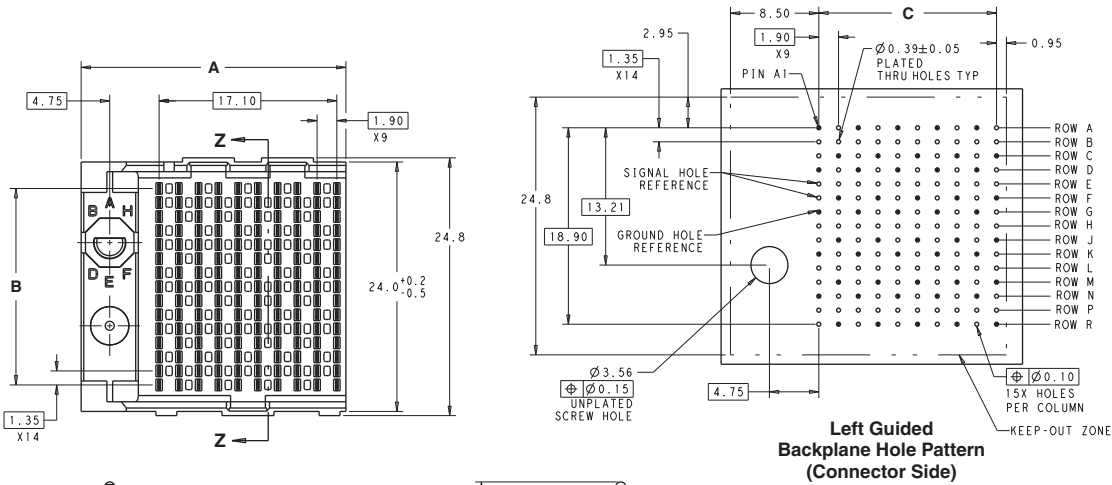
#### 5 Pair Backplane Header Assemblies



| Column | Guide    | Wall End | Part Number | Dimension |      |      | Application Tooling | Mates With |
|--------|----------|----------|-------------|-----------|------|------|---------------------|------------|
|        |          |          |             | A         | B    | C    |                     |            |
| 10     | Left     | Right    | 2007843-1   | 26.9      | 24.8 | 17.1 | 2018446-1           | 2110104-1  |
|        |          | Open     | 2007841-1   | 25.5      | 24.8 | 17.1 | 2018446-1           | 2110104-1  |
|        | Right    | Left     | 2007847-1   | 26.9      | 24.8 | 17.1 | 2018446-1           | 2110105-1  |
|        |          | Open     | 2007845-1   | 25.5      | 24.8 | 17.1 | 2018446-1           | 2110105-1  |
|        | Unguided | Left     | 2007853-1   | 20.3      | 24.8 | 17.1 | 2018446-1           | 2110106-1  |
|        |          | Right    | 2007855-1   | 20.3      | 24.8 | 17.1 | 2018446-1           | 2110106-1  |
|        |          | Dual     | 2007854-1   | 21.7      | 24.8 | 17.1 | 2018446-1           | 2110106-1  |
|        |          | Open     | 2007852-1   | 18.9      | 24.8 | 17.1 | 2018446-1           | 2110106-1  |
| 16     | Left     | Right    | 2007853-1   | 38.3      | 24.8 | 28.5 | 2018525-1           | 2110122-1  |
|        |          | Open     | 2007857-1   | 36.9      | 24.8 | 28.5 | 2018525-1           | 2110122-1  |
|        | Right    | Left     | 2007863-1   | 38.3      | 24.8 | 28.5 | 2018525-1           | 2110123-1  |
|        |          | Open     | 2007861-1   | 36.9      | 24.8 | 28.5 | 2018525-1           | 2110123-1  |
|        | Unguided | Left     | 2007869-1   | 31.7      | 24.8 | 28.5 | 2018525-1           | 2110124-1  |
|        |          | Right    | 2007871-1   | 31.7      | 24.8 | 28.5 | 2018525-1           | 2110124-1  |
|        |          | Dual     | 2007870-1   | 33.1      | 24.8 | 28.5 | 2018525-1           | 2110124-1  |
|        |          | Open     | 2007868-1   | 30.3      | 24.8 | 28.5 | 2018525-1           | 2110124-1  |

**Note:** 10 column part number 2007841-1 is pictured below.

All the numbers provided are for 0.39mm PCB plated thru hole use. Part numbers are available for 0.46mm PCB plated thru holes by contacting the respective country product information center listed on the bottom of each page.

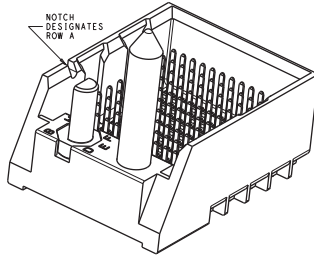


| Key Position Chart |      |
|--------------------|------|
|                    | None |
|                    |      |
|                    |      |
|                    |      |
|                    |      |

Visit the IMPACT connector webpage at: [www.te.com/products/Impact](http://www.te.com/products/Impact)

### Backplane Header Assemblies (Continued)

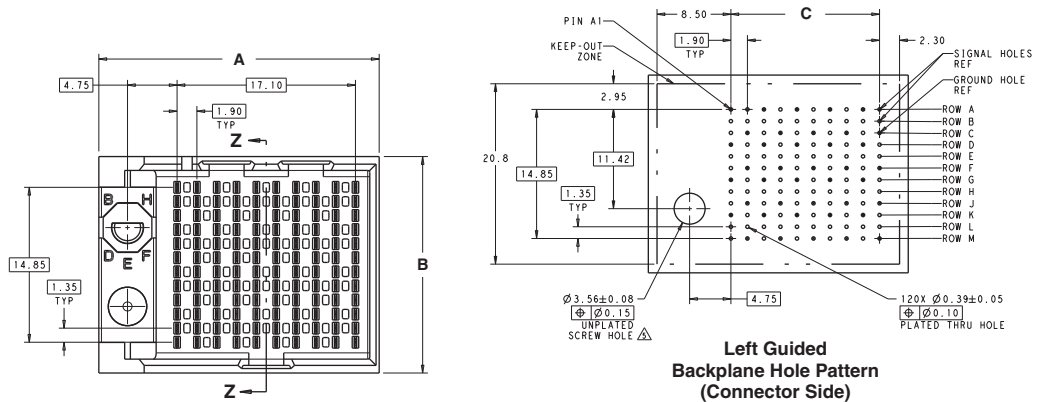
#### 4 Pair Backplane Header Assemblies



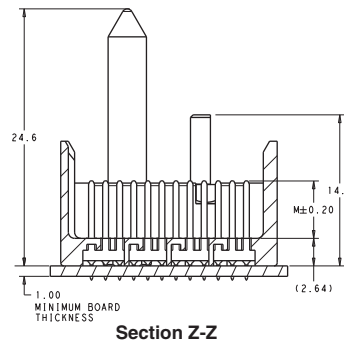
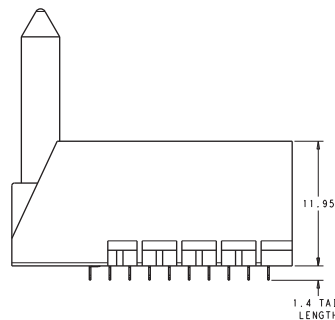
| Column | Guide    | Wall End | Part Number | Dimension |      |      | Application Tooling | Mates With |
|--------|----------|----------|-------------|-----------|------|------|---------------------|------------|
|        |          |          |             | A         | B    | C    |                     |            |
| 10     | Left     | Right    | 2007811-1   | 26.9      | 20.8 | 17.1 | 2018524-1           | 2007715-1  |
|        |          | Open     | 2007809-1   | 25.5      | 20.8 | 17.1 | 2018524-1           | 2007715-1  |
|        | Right    | Left     | 2007815-1   | 26.9      | 20.8 | 17.1 | 2018524-1           | 2007716-1  |
|        |          | Open     | 2007813-1   | 25.5      | 20.8 | 17.1 | 2018524-1           | 2007716-1  |
|        | Unguided | Left     | 2007821-1   | 20.3      | 20.8 | 17.1 | 2018524-1           | 2007717-1  |
|        |          | Right    | 2007823-1   | 20.3      | 20.8 | 17.1 | 2018524-1           | 2007717-1  |
|        |          | Dual     | 2007822-1   | 21.7      | 20.8 | 17.1 | 2018524-1           | 2007717-1  |
|        |          | Open     | 2007820-1   | 18.9      | 20.8 | 17.1 | 2018524-1           | 2007717-1  |
| 16     | Left     | Right    | 2007827-1   | 38.3      | 20.8 | 28.5 | 2018513-1           | 2007721-1  |
|        |          | Open     | 2007825-1   | 36.9      | 20.8 | 28.5 | 2018513-1           | 2007721-1  |
|        | Right    | Left     | 2007831-1   | 38.3      | 20.8 | 28.5 | 2018513-1           | 2007722-1  |
|        |          | Open     | 2007829-1   | 36.9      | 20.8 | 28.5 | 2018513-1           | 2007722-1  |
|        | Unguided | Left     | 2007837-1   | 31.7      | 20.8 | 28.5 | 2018513-1           | 2007723-1  |
|        |          | Right    | 2007839-1   | 31.7      | 20.8 | 28.5 | 2018513-1           | 2007723-1  |
|        |          | Dual     | 2007838-1   | 33.1      | 20.8 | 28.5 | 2018513-1           | 2007723-1  |
|        |          | Open     | 2007836-1   | 30.3      | 20.8 | 28.5 | 2018513-1           | 2007723-1  |

**Note:** 10 column part number 2007811-1 is pictured below.

All the numbers provided are for 0.39mm PCB plated thru hole use. Part numbers are available for 0.46mm PCB plated thru holes by contacting the respective country product information center listed on the bottom of each page.



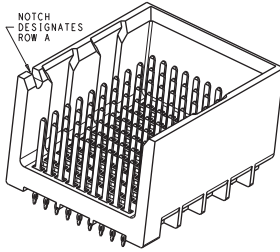
| Key Position Chart |      |
|--------------------|------|
|                    | None |
|                    |      |
|                    |      |
|                    |      |
|                    |      |



Visit the IMPACT connector webpage at: [www.te.com/products/Impact](http://www.te.com/products/Impact)

### Backplane Header Assemblies (Continued)

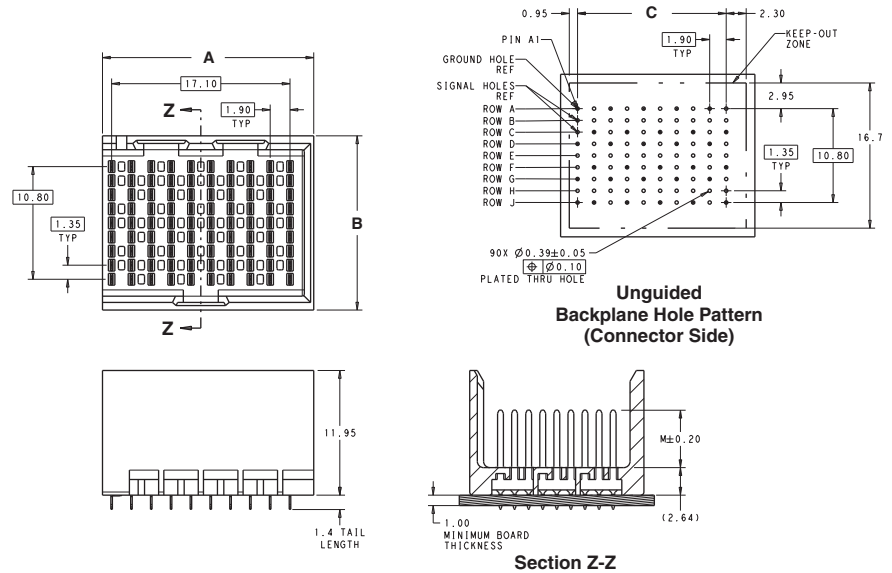
#### 3 Pair Backplane Header Assemblies



| Column | Guide    | Wall End | Part Number | Dimension |      |      | Application Tooling | Mates With |
|--------|----------|----------|-------------|-----------|------|------|---------------------|------------|
|        |          |          |             | A         | B    | C    |                     |            |
| 10     | Left     | Right    | 2007779-1   | 26.9      | 16.7 | 17.1 | 2018377-1           | 2007703-1  |
|        |          | Open     | 2007777-1   | 25.5      | 16.7 | 17.1 | 2018377-1           | 2007703-1  |
|        | Right    | Left     | 2007783-1   | 26.9      | 16.7 | 17.1 | 2018377-1           | 2007704-1  |
|        |          | Open     | 2007781-1   | 25.5      | 16.7 | 17.1 | 2018377-1           | 2007704-1  |
|        | Unguided | Left     | 2007789-1   | 20.3      | 16.7 | 17.1 | 2018377-1           | 2007705-1  |
|        |          | Right    | 2007791-1   | 20.3      | 16.7 | 17.1 | 2018377-1           | 2007705-1  |
|        |          | Dual     | 2007790-1   | 21.7      | 16.7 | 17.1 | 2018377-1           | 2007705-1  |
|        |          | Open     | 2007788-1   | 18.9      | 16.7 | 17.1 | 2018377-1           | 2007705-1  |
| 16     | Left     | Right    | 2007795-1   | 38.3      | 16.7 | 28.5 | 2018378-1           | 2007709-1  |
|        |          | Open     | 2007793-1   | 36.9      | 16.7 | 28.5 | 2018378-1           | 2007709-1  |
|        | Right    | Left     | 2007799-1   | 38.3      | 16.7 | 28.5 | 2018378-1           | 2007710-1  |
|        |          | Open     | 2007797-1   | 36.9      | 16.7 | 28.5 | 2018378-1           | 2007710-1  |
|        | Unguided | Left     | 2007805-1   | 31.7      | 16.7 | 28.5 | 2018378-1           | 2007711-1  |
|        |          | Right    | 2007807-1   | 31.7      | 16.7 | 28.5 | 2018378-1           | 2007711-1  |
|        |          | Dual     | 2007806-1   | 33.1      | 16.7 | 28.5 | 2018378-1           | 2007711-1  |
|        |          | Open     | 2007804-1   | 30.3      | 16.7 | 28.5 | 2018378-1           | 2007711-1  |

**Note:** 10 column part number 2007791-1 is pictured below.

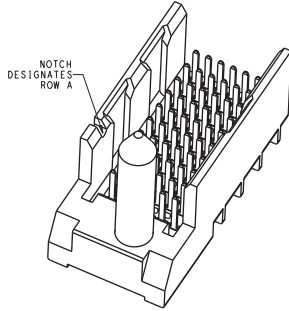
All the numbers provided are for 0.39mm PCB plated thru hole use. Part numbers are available for 0.46mm PCB plated thru holes by contacting the respective country product information center listed on the bottom of each page.



Visit the IMPACT connector webpage at: [www.te.com/products/Impact](http://www.te.com/products/Impact)

### Backplane Header Assemblies (Continued)

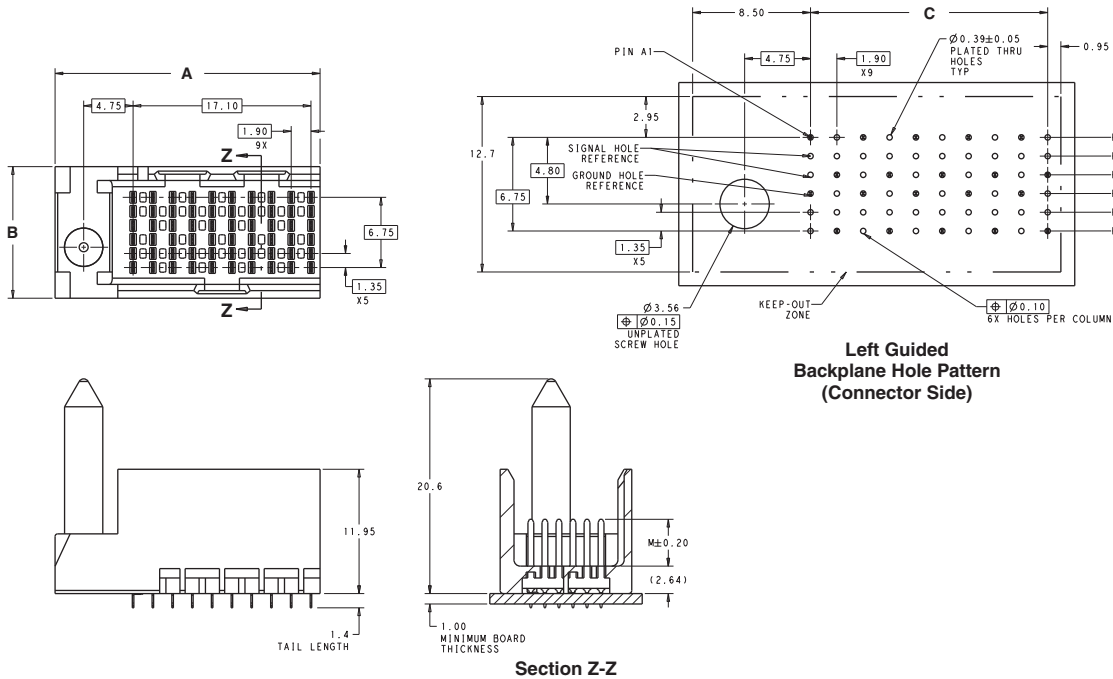
#### 2 Pair Backplane Header Assemblies



| Column | Guide    | Wall End | Part Number | Dimension |      |      | Application Tooling | Mates With |
|--------|----------|----------|-------------|-----------|------|------|---------------------|------------|
|        |          |          |             | A         | B    | C    |                     |            |
| 10     | Left     | Right    | 2057421-1   | 26.9      | 12.7 | 17.1 | 2018536-1           | 2057403-1  |
|        |          | Open     | 2057419-1   | 25.5      | 12.7 | 17.1 | 2018536-1           | 2057403-1  |
|        | Right    | Left     | 2057425-1   | 25.5      | 12.7 | 17.1 | 2018536-1           | 2057404-1  |
|        |          | Open     | 2057423-1   | 26.9      | 12.7 | 17.1 | 2018536-1           | 2057404-1  |
|        | Unguided | Left     | 2057431-1   | 20.3      | 12.7 | 17.1 | 2018536-1           | 2057405-1  |
|        |          | Right    | 2057433-1   | 20.3      | 12.7 | 17.1 | 2018536-1           | 2057405-1  |
|        |          | Dual     | 2057432-1   | 21.7      | 12.7 | 17.1 | 2018536-1           | 2057405-1  |
|        |          | Open     | 2057430-1   | 18.9      | 12.7 | 17.1 | 2018536-1           | 2057405-1  |
| 16     | Left     | Right    | 2057739-1   | 38.3      | 12.7 | 28.5 | 2018537-1           | 2057409-1  |
|        |          | Open     | 2057737-1   | 36.9      | 12.7 | 28.5 | 2018537-1           | 2057409-1  |
|        | Right    | Left     | 2057743-1   | 38.3      | 12.7 | 28.5 | 2018537-1           | 2057410-1  |
|        |          | Open     | 2057741-1   | 36.9      | 12.7 | 28.5 | 2018537-1           | 2057410-1  |
|        | Unguided | Left     | 2057749-1   | 31.7      | 12.7 | 28.5 | 2018537-1           | 2057411-1  |
|        |          | Right    | 2057751-1   | 31.7      | 12.7 | 28.5 | 2018537-1           | 2057411-1  |
|        |          | Dual     | 2057750-1   | 33.1      | 12.7 | 28.5 | 2018537-1           | 2057411-1  |
|        |          | Open     | 2057748-1   | 30.3      | 12.7 | 28.5 | 2018537-1           | 2057411-1  |

**Note:** 10 column part number 2057419-1 is pictured below.

All the numbers provided are for 0.39mm PCB plated thru hole use. Part numbers are available for 0.46mm PCB plated thru holes by contacting the respective country product information center listed on the bottom of each page.

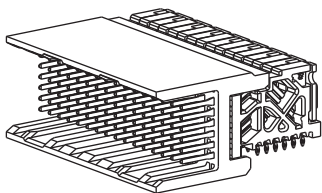


Visit the IMPACT connector webpage at: [www.te.com/products/Impact](http://www.te.com/products/Impact)



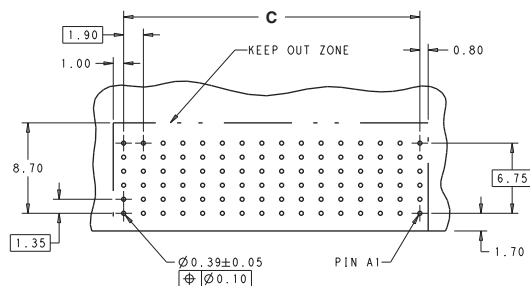
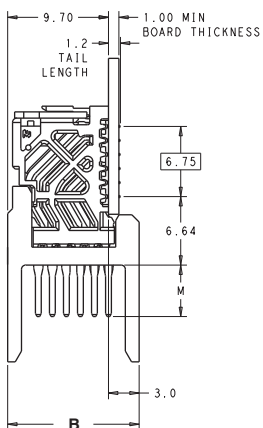
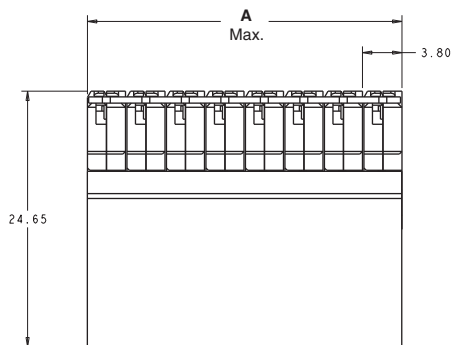
### Coplanar Header (RAM) Assemblies (Continued)

#### 2 Pair Coplanar Header (RAM) Assemblies

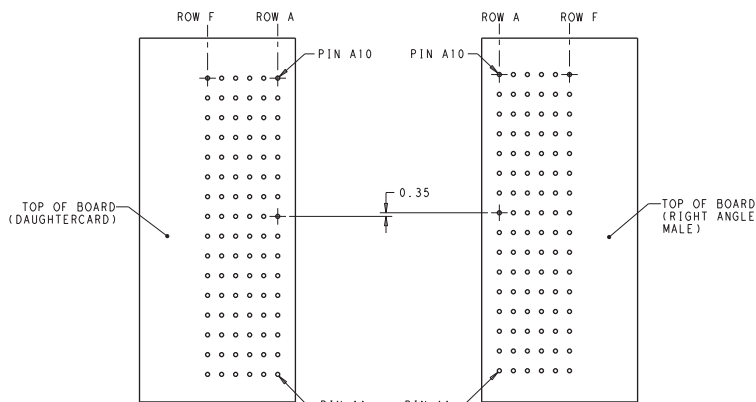
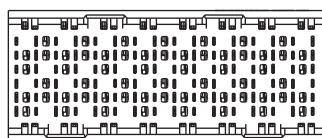


| Column | Guide    | Wall End | Part Number | Dimension |      |      | Application Tooling | Mates With |
|--------|----------|----------|-------------|-----------|------|------|---------------------|------------|
|        |          |          |             | A         | B    | C    |                     |            |
| 10     | Left     | Right    | 2143017-2   | 28        | 12.7 | 17.1 | 2018779-1           | 2057404-1  |
|        |          | Open     | 2143016-2   | 26.6      | 12.7 | 17.1 | 2018779-1           | 2057404-1  |
|        | Right    | Left     | 2143019-2   | 28        | 12.7 | 17.1 | 2018779-1           | 2057403-1  |
|        |          | Open     | 2143018-2   | 26.6      | 12.7 | 17.1 | 2018779-1           | 2057403-1  |
|        | Unguided | Left     | 2143013-2   | 20.4      | 12.7 | 17.1 | 2018779-1           | 2057405-1  |
|        |          | Right    | 2143015-2   | 20.4      | 12.7 | 17.1 | 2018779-1           | 2057405-1  |
|        |          | Dual     | 2143014-2   | 21.8      | 12.7 | 17.1 | 2018779-1           | 2057405-1  |
|        |          | Open     | 2143012-2   | 19        | 12.7 | 17.1 | 2018779-1           | 2057405-1  |
| 16     | Left     | Right    | 2143314-2   | 39.4      | 12.7 | 28.5 | 2018779-2           | 2057410-1  |
|        |          | Open     | 2143313-2   | 38        | 12.7 | 28.5 | 2018779-2           | 2057410-1  |
|        | Right    | Left     | 2143316-2   | 39.4      | 12.7 | 28.5 | 2018779-2           | 2057409-1  |
|        |          | Open     | 2143315-2   | 38        | 12.7 | 28.5 | 2018779-2           | 2057409-1  |
|        | Unguided | Left     | 2143310-2   | 31.8      | 12.7 | 28.5 | 2018779-2           | 2057411-1  |
|        |          | Right    | 2143312-2   | 31.8      | 12.7 | 28.5 | 2018779-2           | 2057411-1  |
|        |          | Dual     | 2143311-2   | 33.2      | 12.7 | 28.5 | 2018779-2           | 2057411-1  |
|        |          | Open     | 2143309-2   | 30.4      | 12.7 | 28.5 | 2018779-2           | 2057411-1  |

Note: 16 column part number 2143309-1 is pictured below.



Recommended PCB Layout



Coplanar Mated Signal Paths

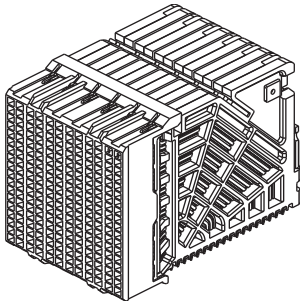


Left Guided Right Angle Male Mates To Right Guided Right Angle Receptacle

Visit the IMPACT connector webpage at: [www.te.com/products/Impact](http://www.te.com/products/Impact)

## Orthogonal Receptacle Assemblies

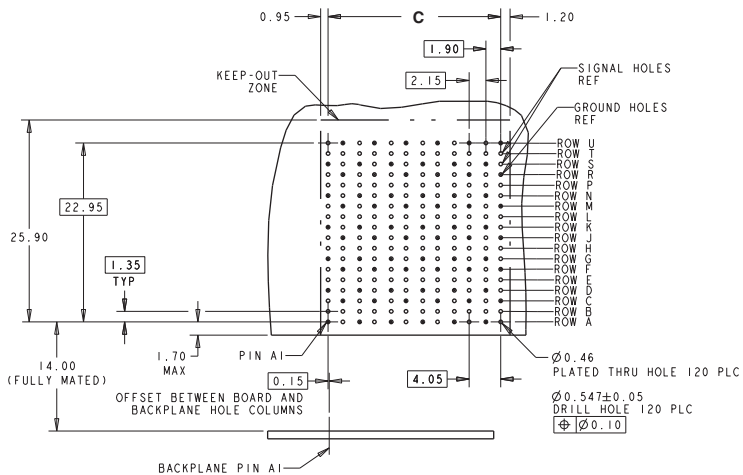
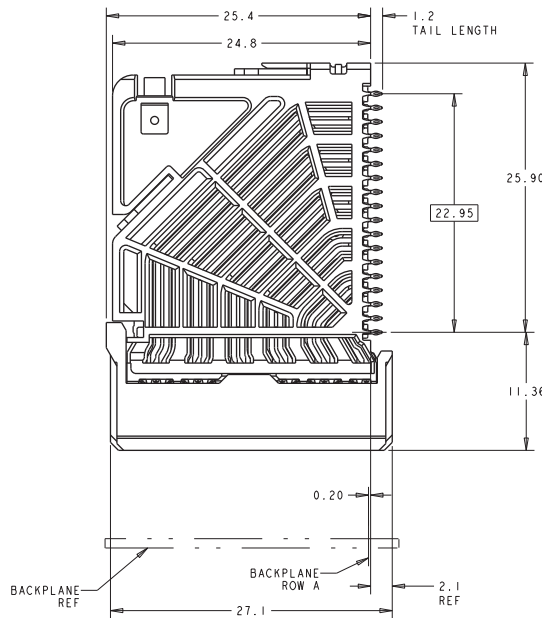
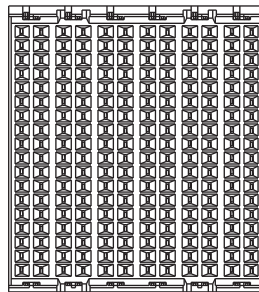
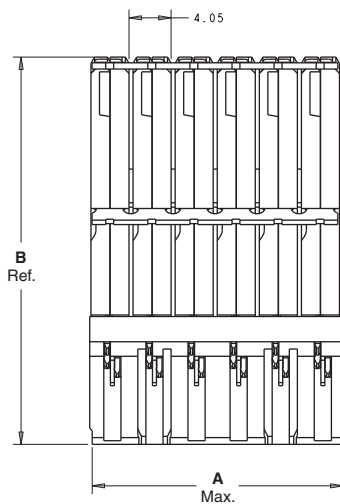
### 6 Pair Orthogonal Receptacle Assemblies



| Column | Guide    | Part Number | Dimension |      |       | Application Tooling | Mates With |
|--------|----------|-------------|-----------|------|-------|---------------------|------------|
|        |          |             | A         | B    | C     |                     |            |
| 10     | Left     | 2132718-1   | 28.35     | 37.3 | 18.1  | 2018773-1           | 2143249-1  |
|        | Right    | 2132719-1   | 28.35     | 37.3 | 18.1  | 2018773-1           | 2143251-1  |
|        | Unguided | 2132720-1   | 20.25     | 37.3 | 18.1  | 2018773-1           | 2143255-1  |
| 12     | Left     | 2132721-1   | 32.4      | 37.3 | 22.15 | 2018773-2           | 2143265-1  |
|        | Right    | 2132722-1   | 32.4      | 37.3 | 22.15 | 2018773-2           | 2143267-1  |
|        | Unguided | 2132723-1   | 24.3      | 37.3 | 22.15 | 2018773-2           | 2143271-1  |

**Note:** 12 column part number 2132723-1 is pictured below.

All the numbers provided are for 0.39mm PCB plated thru hole use. Part numbers are available for 0.46mm PCB plated thru holes by contacting the respective country product information center listed on the bottom of each page.

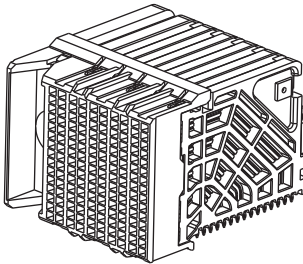


**Recommended PCB Layout  
Min. Board Thickness 1.0**

Visit the IMPACT connector webpage at: [www.te.com/products/Impact](http://www.te.com/products/Impact)

**Orthogonal Receptacle Assemblies** (Continued)

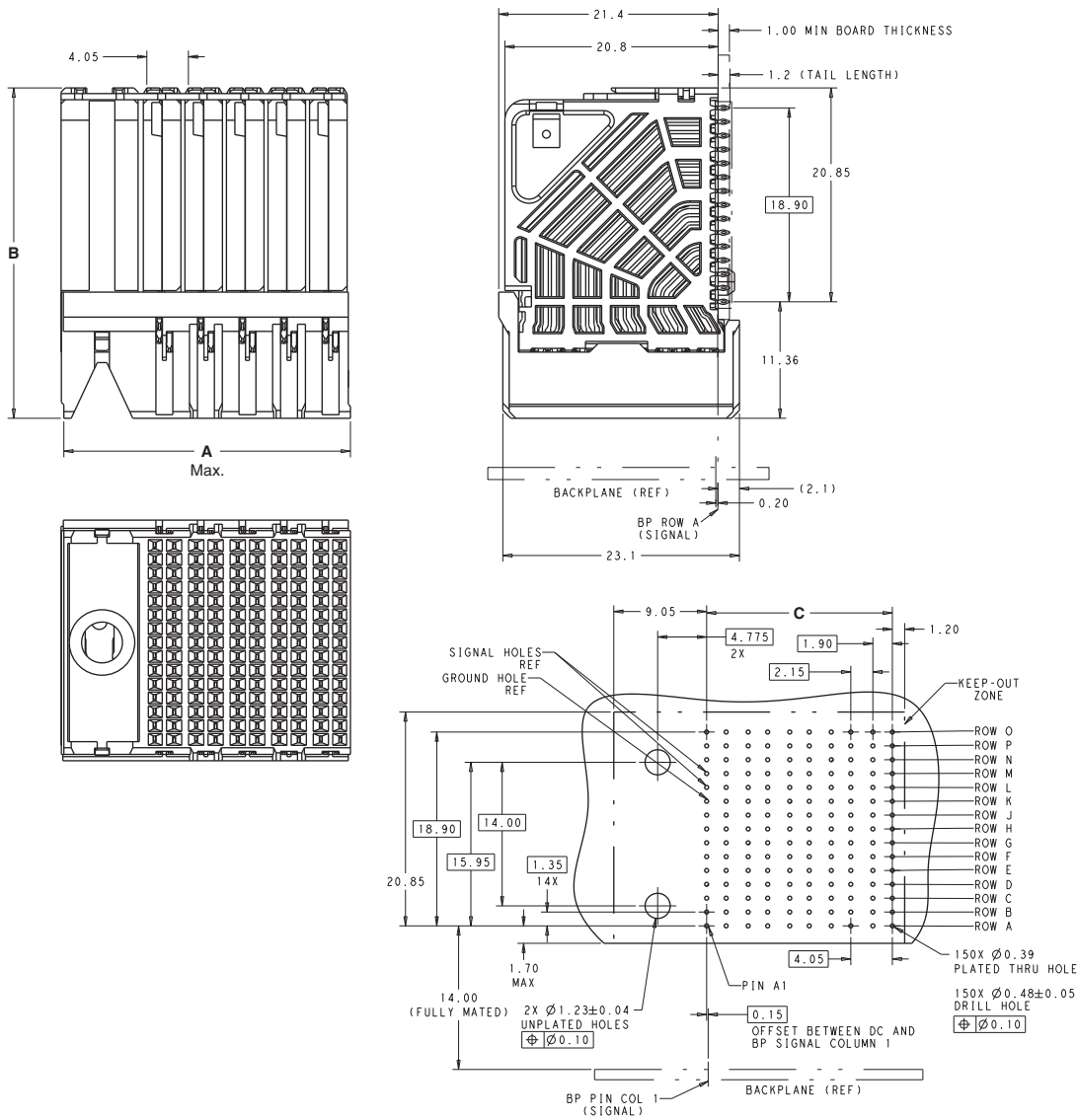
**5 Pair Orthogonal Receptacle Assemblies**



| Column | Guide    | Part Number | Dimension |      |       | Application Tooling | Mates With |
|--------|----------|-------------|-----------|------|-------|---------------------|------------|
|        |          |             | A         | B    | C     |                     |            |
| 8      | Left     | 2132690-1   | 24.3      | 32.3 | 14.05 | 2018772-1           | 2143545-1  |
|        | Right    | 2132691-1   | 24.3      | 32.3 | 14.05 | 2018772-1           | 2143547-1  |
|        | Unguided | 2132692-1   | 16.2      | 32.3 | 14.05 | 2018772-1           | 2143550-1  |
| 10     | Left     | 2132693-1   | 28.35     | 32.3 | 18.1  | 2018772-2           | 2143557-1  |
|        | Right    | 2132694-1   | 28.35     | 32.3 | 18.1  | 2018772-2           | 2143559-1  |
|        | Unguided | 2132695-1   | 20.25     | 32.3 | 18.1  | 2018772-2           | 2143562-1  |
| 12     | Left     | 2132696-1   | 32.4      | 32.3 | 22.15 | 2018772-3           | 2143569-1  |
|        | Right    | 2132697-1   | 32.4      | 32.3 | 22.15 | 2018772-3           | 2143571-1  |
|        | Unguided | 2132698-1   | 24.3      | 32.3 | 22.15 | 2018772-3           | 2143574-1  |

**Note:** 10 column part number 2132693-1 is pictured below.

All the numbers provided are for 0.39mm PCB plated thru hole use. Part numbers are available for 0.46mm PCB plated thru holes by contacting the respective country product information center listed on the bottom of each page.

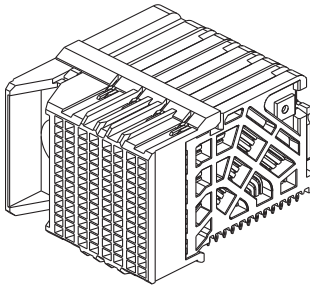


**Recommended PCB Layout**

Visit the IMPACT connector webpage at: [www.te.com/products/Impact](http://www.te.com/products/Impact)

### Orthogonal Receptacle Assemblies (Continued)

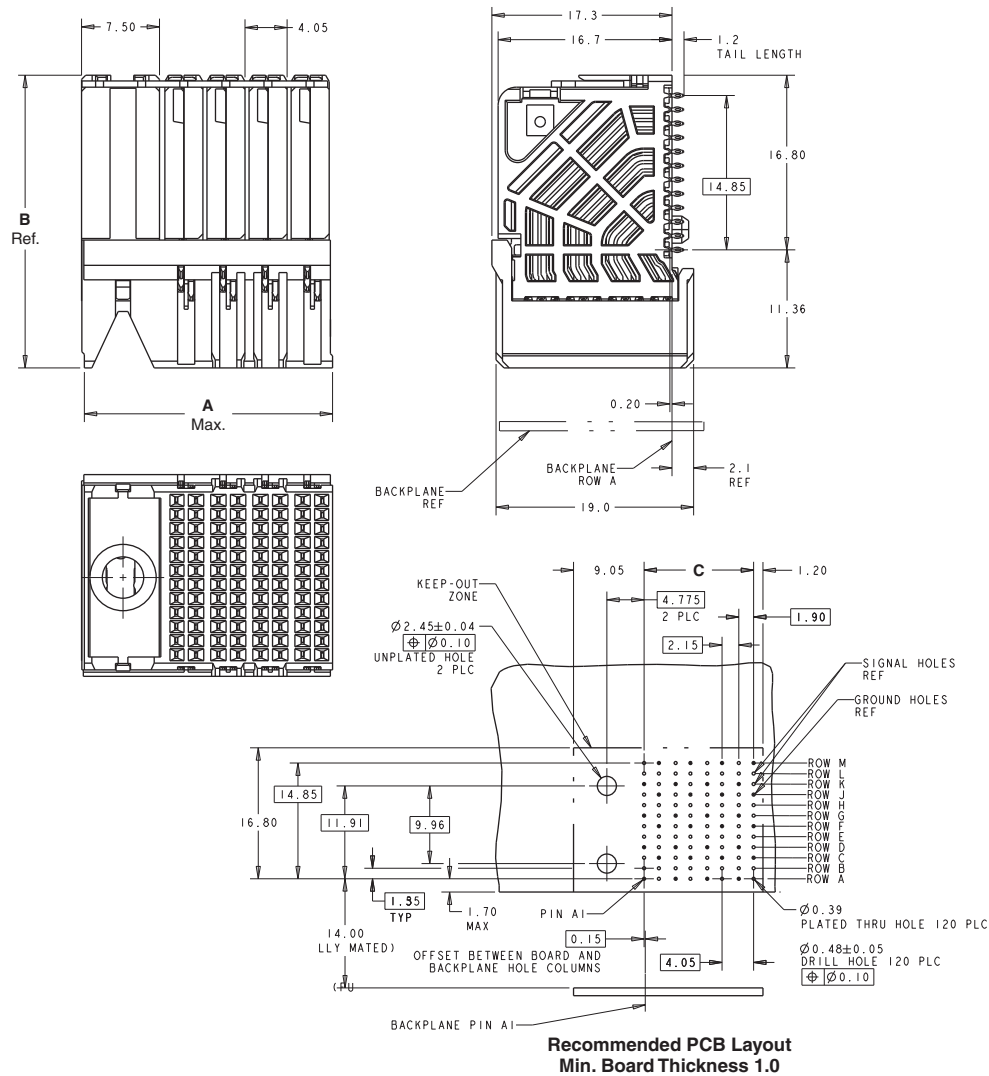
#### 4 Pair Orthogonal Receptacle Assemblies



| Column | Guide    | Part Number | Dimension |      |       | Application Tooling | Mates With |
|--------|----------|-------------|-----------|------|-------|---------------------|------------|
|        |          |             | A         | B    | C     |                     |            |
| 6      | Left     | 2132461-1   | 20.25     | 28.2 | 10    | 2018771-1           | 2132593-1  |
|        | Right    | 2132462-1   | 20.25     | 28.2 | 10    | 2018771-1           | 2132595-1  |
|        | Unguided | 2132463-1   | 12.15     | 28.2 | 10    | 2018771-1           | 2132599-1  |
| 8      | Left     | 2132464-1   | 24.3      | 28.2 | 14.05 | 2018771-2           | 2132609-1  |
|        | Right    | 2132465-1   | 24.3      | 28.2 | 14.05 | 2018771-2           | 2132611-1  |
|        | Unguided | 2132466-1   | 16.2      | 28.2 | 14.05 | 2018771-2           | 2132615-1  |
| 10     | Left     | 2132467-1   | 28.35     | 28.2 | 18.1  | 2018771-3           | 2132597-1  |
|        | Right    | 2132468-1   | 28.35     | 28.2 | 18.1  | 2018771-3           | 2132599-1  |
|        | Unguided | 2132469-1   | 20.25     | 28.2 | 18.1  | 2018771-3           | 2132631-1  |

**Note:** 8 column part number 2132464-1 is pictured below.

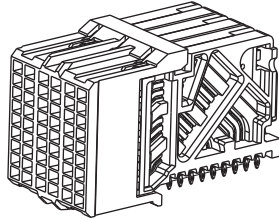
All the numbers provided are for 0.39mm PCB plated thru hole use. Part numbers are available for 0.46mm PCB plated thru holes by contacting the respective country product information center listed on the bottom of each page.



Visit the IMPACT connector webpage at: [www.te.com/products/Impact](http://www.te.com/products/Impact)

### Orthogonal Receptacle Assemblies (Continued)

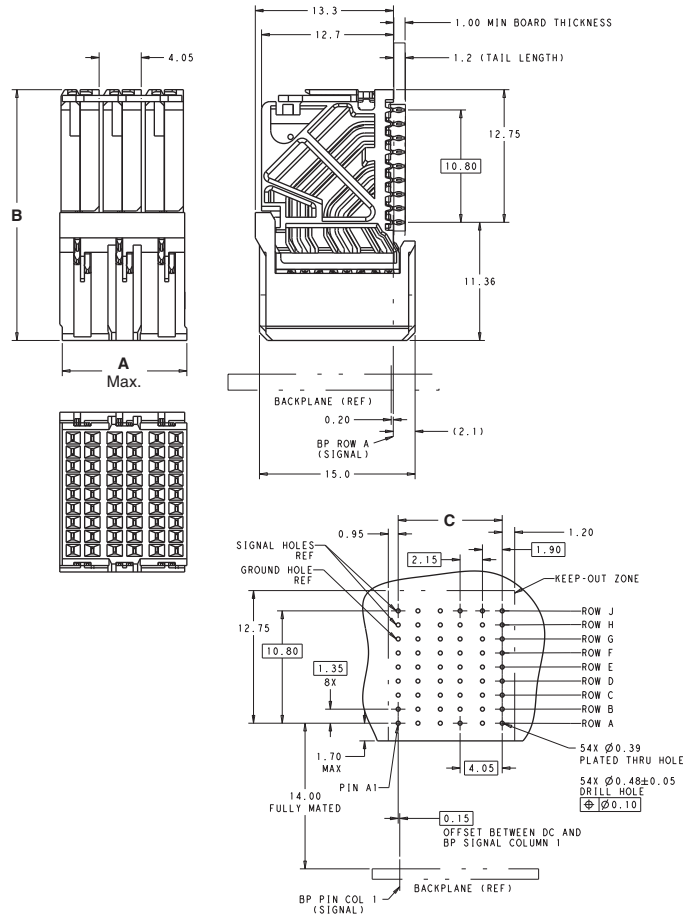
#### 3 Pair Orthogonal Receptacle Assemblies



| Column | Guide    | Part Number | Dimension |      |       | Application Tooling | Mates With |
|--------|----------|-------------|-----------|------|-------|---------------------|------------|
|        |          |             | A         | B    | C     |                     |            |
| 6      | Left     | 2132422-1   | 20.25     | 24.1 | 10    | 2018770-1           | 2132561-1  |
|        | Right    | 2132423-1   | 20.25     | 24.1 | 10    | 2018770-1           | 2132563-1  |
|        | Unguided | 2132424-1   | 12.15     | 24.1 | 10    | 2018770-1           | 2132567-1  |
| 8      | Left     | 2132425-1   | 24.3      | 24.1 | 14.05 | 2018770-2           | 2132577-1  |
|        | Right    | 2132426-1   | 24.3      | 24.1 | 14.05 | 2018770-2           | 2132579-1  |
|        | Unguided | 2132427-1   | 16.2      | 24.1 | 14.05 | 2018770-2           | 2132583-1  |

**Note:** 6 column part number 2132424-1 is pictured below.

All the numbers provided are for 0.39mm PCB plated thru hole use. Part numbers are available for 0.46mm PCB plated thru holes by contacting the respective country product information center listed on the bottom of each page.



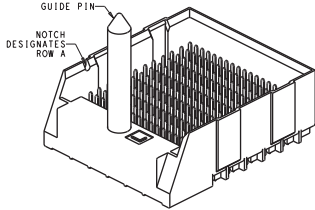
**Recommended PCB Layout**

Visit the IMPACT connector webpage at: [www.te.com/products/Impact](http://www.te.com/products/Impact)



### Orthogonal Header Assemblies

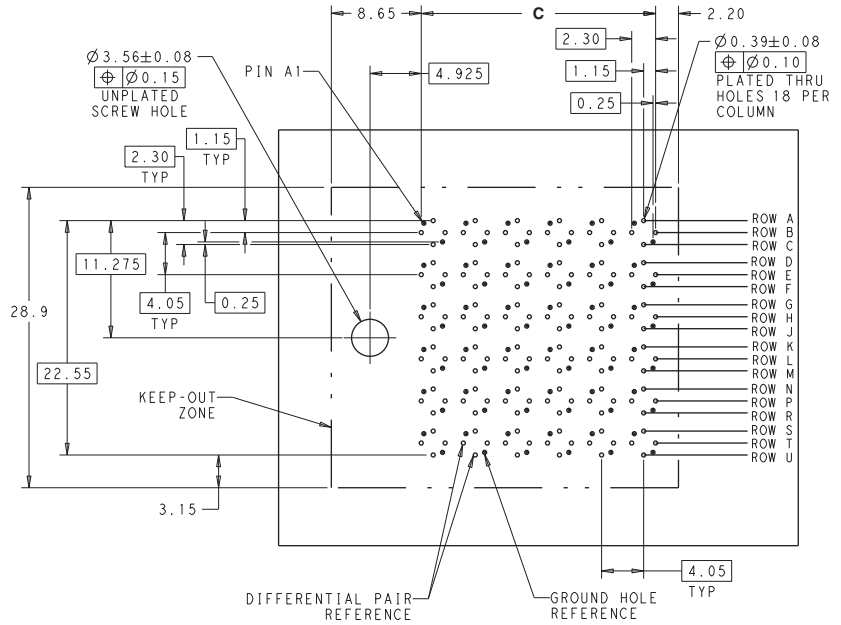
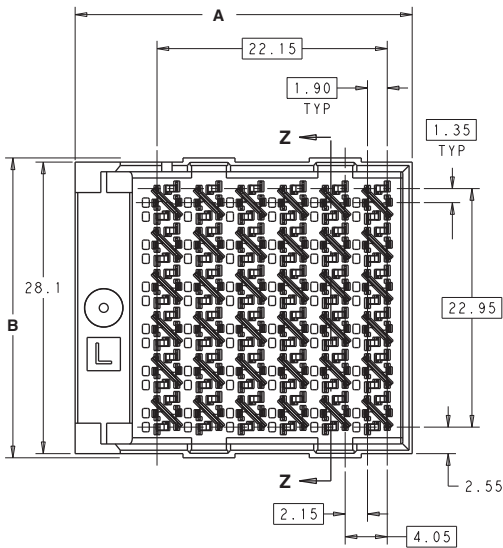
#### 6 Pair Orthogonal Header Assemblies



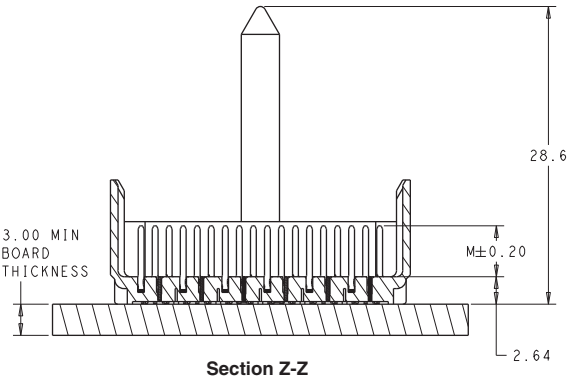
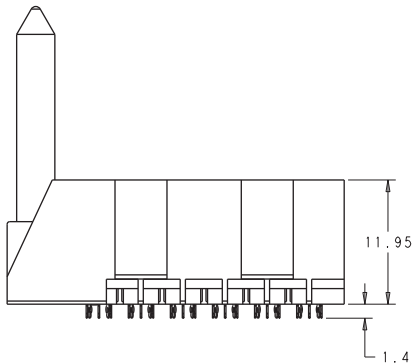
All the numbers provided are for 0.39mm PCB plated thru hole use. Part numbers are available for 0.46mm PCB plated thru holes by contacting the respective country product information center listed on the bottom of each page.

| Column | Guide    | Wall End | Part Number | Dimension |      |       | Application Tooling | Mates With |
|--------|----------|----------|-------------|-----------|------|-------|---------------------|------------|
|        |          |          |             | A         | B    | C     |                     |            |
| 10     | Left     | Right    | 2143250-1   | 28.4      | 28.9 | 18.5  | 2018773-1           | 2132718-1  |
|        |          | Open     | 2143249-1   | 27        | 28.9 | 18.5  | 2018773-1           | 2132718-1  |
|        | Right    | Left     | 2143252-1   | 28.4      | 28.9 | 18.5  | 2018773-1           | 2132719-1  |
|        |          | Open     | 2143251-1   | 27        | 28.9 | 18.5  | 2018773-1           | 2132719-1  |
|        | Unguided | Left     | 2143254-1   | 21.5      | 28.9 | 18.5  | 2018773-1           | 2132720-1  |
|        |          | Right    | 2143256-1   | 21.5      | 28.9 | 18.5  | 2018773-1           | 2132720-1  |
| 12     | Left     | Right    | 2143266-1   | 32.4      | 28.9 | 22.55 | 2018773-2           | 2132721-1  |
|        |          | Open     | 2143265-1   | 31        | 28.9 | 22.55 | 2018773-2           | 2132721-1  |
|        | Right    | Left     | 2143268-1   | 32.4      | 28.9 | 22.55 | 2018773-2           | 2132722-1  |
|        |          | Open     | 2143267-1   | 31        | 28.9 | 22.55 | 2018773-2           | 2132722-1  |
|        | Unguided | Left     | 2143270-1   | 25.55     | 28.9 | 22.55 | 2018773-2           | 2132723-1  |
|        |          | Right    | 2143272-1   | 25.55     | 28.9 | 22.55 | 2018773-2           | 2132723-1  |
|        | Dual     | Right    | 2143271-1   | 26.95     | 28.9 | 22.55 | 2018773-2           | 2132723-1  |
|        |          | Open     | 2143269-1   | 24.15     | 28.9 | 22.55 | 2018773-2           | 2132723-1  |

Note: 12 column part number 2143266-1 is pictured below.



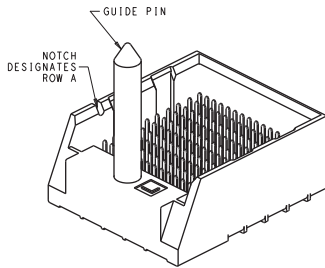
Left Guided Backplane Hole Pattern (Connector Side)



Visit the IMPACT connector webpage at: [www.te.com/products/Impact](http://www.te.com/products/Impact)

### Orthogonal Header Assemblies (Continued)

#### 5 Pair Orthogonal Header Assemblies

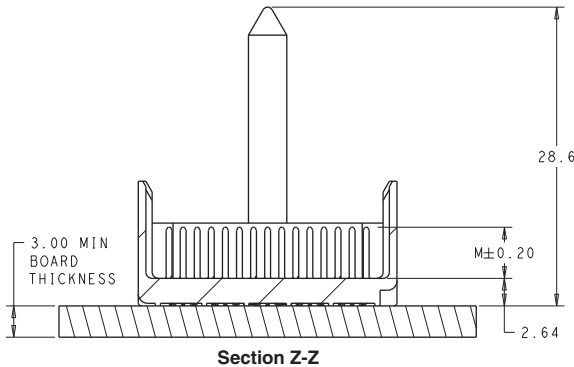
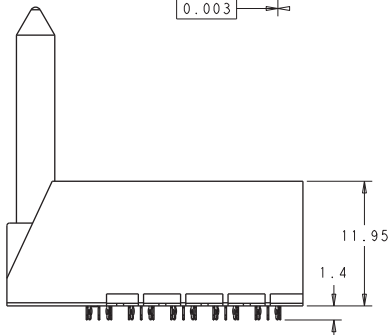
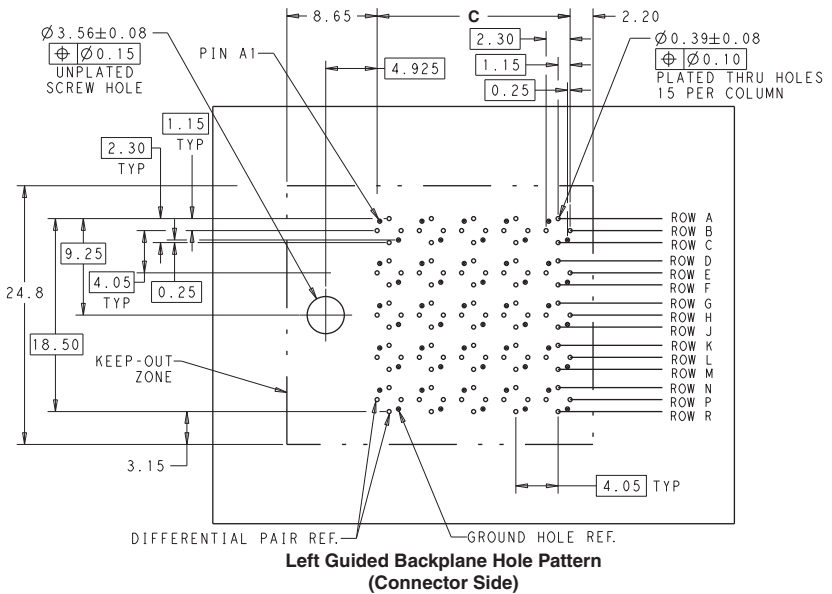
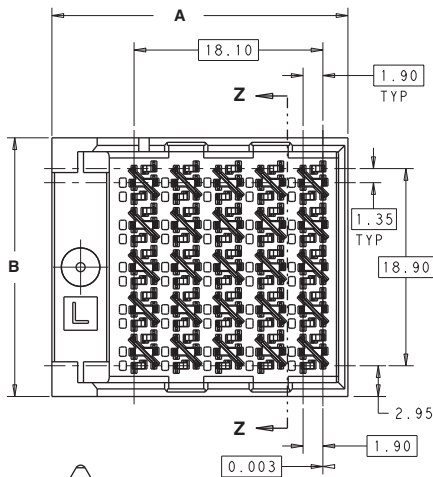


**Note:** 10 column part number 2143558-1 is pictured below.

All the numbers provided are for 0.39mm PCB plated thru hole use. Part numbers are available for 0.46mm PCB plated thru holes by contacting the respective country product information center listed on the bottom of each page.

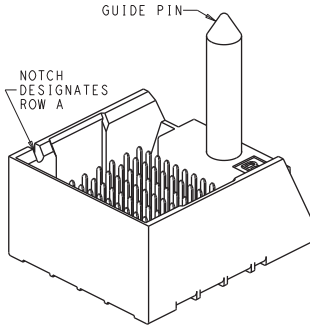
| Column | Guide    | Wall End  | Part Number | Dimension |       |           | Application Tooling | Mates With |
|--------|----------|-----------|-------------|-----------|-------|-----------|---------------------|------------|
|        |          |           |             | A         | B     | C         |                     |            |
| 8      | Left     | Right     | 2143546-1   | 24.3      | 24.8  | 14.45     | 2018772-1           | 2132690-1  |
|        |          | Open      | 2143545-1   | 22.9      | 24.8  | 14.45     | 2018772-1           | 2132690-1  |
|        | Right    | Left      | 2143548-1   | 24.3      | 24.8  | 14.45     | 2018772-1           | 2132691-1  |
|        |          | Open      | 2143547-1   | 22.9      | 24.8  | 14.45     | 2018772-1           | 2132691-1  |
|        | Unguided | Left      | 2143621-1   | 17.45     | 24.8  | 14.45     | 2018772-1           | 2132692-1  |
|        |          | Right     | 2143622-1   | 17.45     | 24.8  | 14.45     | 2018772-1           | 2132692-1  |
| Dual   |          | 2143550-1 | 18.85       | 24.8      | 14.45 | 2018772-1 | 2132692-1           |            |
| Open   |          | 2143549-1 | 16.05       | 24.8      | 14.45 | 2018772-1 | 2132692-1           |            |
| 10     | Left     | Right     | 2143558-1   | 28.4      | 24.8  | 18.5      | 2018772-2           | 2132693-1  |
|        |          | Open      | 2143557-1   | 27        | 24.8  | 18.5      | 2018772-2           | 2132693-1  |
|        | Right    | Left      | 2143560-1   | 28.4      | 24.8  | 18.5      | 2018772-2           | 2132694-1  |
|        |          | Open      | 2143559-1   | 27        | 24.8  | 18.5      | 2018772-2           | 2132694-1  |
|        | Unguided | Left      | 2143625-1   | 21.5      | 24.8  | 18.5      | 2018772-2           | 2132695-1  |
|        |          | Right     | 2143626-1   | 21.5      | 24.8  | 18.5      | 2018772-2           | 2132695-1  |
| Dual   |          | 2143562-1 | 22.9        | 24.8      | 18.5  | 2018772-2 | 2132695-1           |            |
| Open   |          | 2143561-1 | 20.1        | 24.8      | 18.5  | 2018772-2 | 2132695-1           |            |
| 12     | Left     | Right     | 2143570-1   | 32.4      | 24.8  | 22.55     | 2018772-3           | 2132696-1  |
|        |          | Open      | 2143569-1   | 31        | 24.8  | 22.55     | 2018772-3           | 2132696-1  |
|        | Right    | Left      | 2143572-1   | 32.4      | 24.8  | 22.55     | 2018772-3           | 2132697-1  |
|        |          | Open      | 2143571-1   | 31        | 24.8  | 22.55     | 2018772-3           | 2132697-1  |
|        | Unguided | Left      | 2143629-1   | 25.55     | 24.8  | 22.55     | 2018772-3           | 2132698-1  |
|        |          | Right     | 2143630-1   | 25.55     | 24.8  | 22.55     | 2018772-3           | 2132698-1  |
| Dual   |          | 2143574-1 | 26.95       | 24.8      | 22.55 | 2018772-3 | 2132698-1           |            |
| Open   |          | 2143573-1 | 24.15       | 24.8      | 22.55 | 2018772-3 | 2132698-1           |            |

Visit the IMPACT connector webpage at: [www.te.com/products/Impact](http://www.te.com/products/Impact)



### Orthogonal Header Assemblies (Continued)

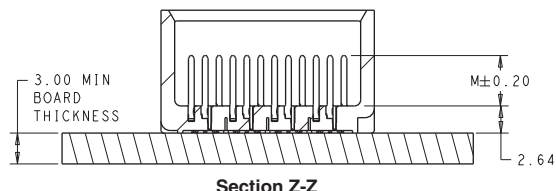
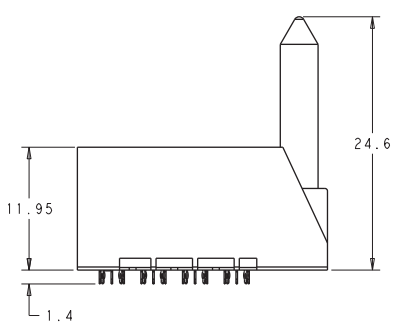
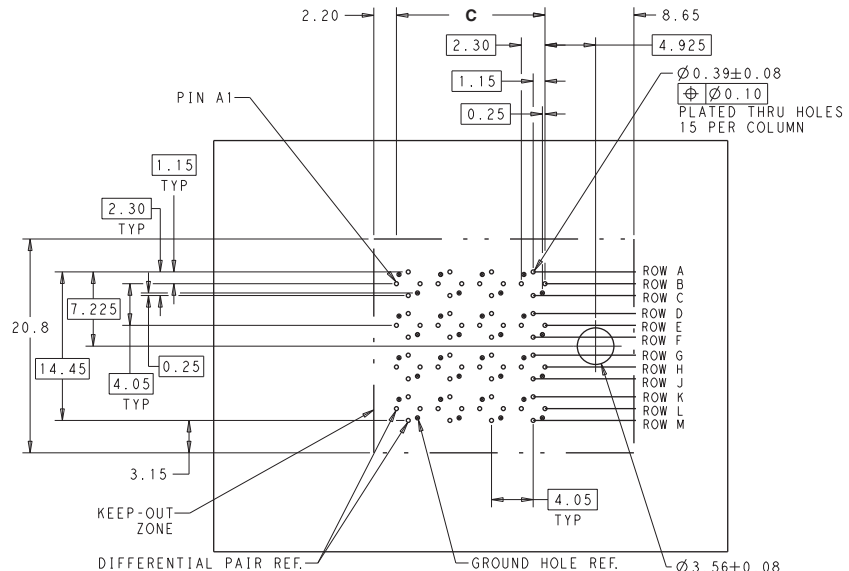
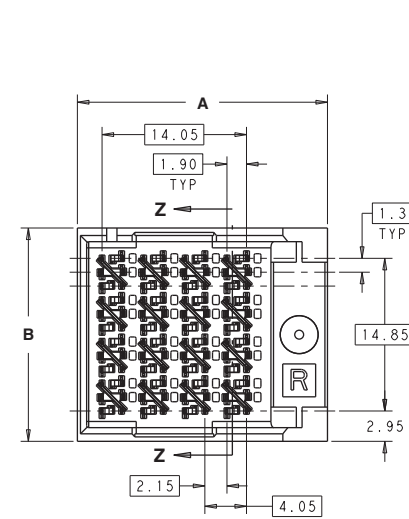
#### 4 Pair Orthogonal Header Assemblies



**Note:** 8 column part number 2132610-1 is pictured below.

All the numbers provided are for 0.39mm PCB plated thru hole use. Part numbers are available for 0.46mm PCB plated thru holes by contacting the respective country product information center listed on the bottom of each page.

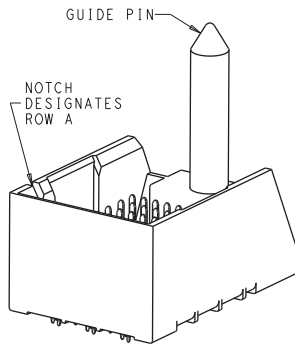
| Column | Guide    | Wall End | Part Number | Dimension |      |       | Application Tooling | Mates With |
|--------|----------|----------|-------------|-----------|------|-------|---------------------|------------|
|        |          |          |             | A         | B    | C     |                     |            |
| 6      | Left     | Right    | 2132594-1   | 20.3      | 20.8 | 10.4  | 2018771-1           | 2132461-1  |
|        |          | Open     | 2132593-1   | 18.9      | 20.8 | 10.4  | 2018771-1           | 2132461-1  |
|        | Right    | Left     | 2132596-1   | 20.3      | 20.8 | 10.4  | 2018771-1           | 2132462-1  |
|        |          | Open     | 2132595-1   | 18.9      | 20.8 | 10.4  | 2018771-1           | 2132462-1  |
|        | Unguided | Left     | 2132598-1   | 13.4      | 20.8 | 10.4  | 2018771-1           | 2132463-1  |
|        |          | Right    | 2132600-1   | 13.4      | 20.8 | 10.4  | 2018771-1           | 2132463-1  |
| 8      | Left     | Dual     | 2132599-1   | 14.8      | 20.8 | 10.4  | 2018771-1           | 2132463-1  |
|        |          | Open     | 2132597-1   | 12        | 20.8 | 10.4  | 2018771-1           | 2132463-1  |
|        | Right    | Right    | 2132610-1   | 24.3      | 20.8 | 14.45 | 2018771-2           | 2132464-1  |
|        |          | Open     | 2132609-1   | 22.9      | 20.8 | 14.45 | 2018771-2           | 2132464-1  |
|        | Right    | Left     | 2132612-1   | 24.3      | 20.8 | 14.45 | 2018771-2           | 2132465-1  |
|        |          | Open     | 2132611-1   | 22.9      | 20.8 | 14.45 | 2018771-2           | 2132465-1  |
|        | Unguided | Left     | 2132614-1   | 17.45     | 20.8 | 14.45 | 2018771-2           | 2132466-1  |
|        |          | Right    | 2132616-1   | 17.45     | 20.8 | 14.45 | 2018771-2           | 2132466-1  |
|        |          | Dual     | 2132615-1   | 18.85     | 20.8 | 14.45 | 2018771-2           | 2132466-1  |
|        |          | Open     | 2132613-1   | 16.05     | 20.8 | 14.45 | 2018771-2           | 2132466-1  |
| 10     | Left     | Right    | 2132626-1   | 28.4      | 20.8 | 18.5  | 2018771-3           | 2132467-1  |
|        |          | Open     | 2132625-1   | 27        | 20.8 | 18.5  | 2018771-3           | 2132467-1  |
|        | Right    | Left     | 2132628-1   | 28.4      | 20.8 | 18.5  | 2018771-3           | 2132468-1  |
|        |          | Open     | 2132627-1   | 27        | 20.8 | 18.5  | 2018771-3           | 2132468-1  |
|        | Unguided | Left     | 2132630-1   | 21.5      | 20.8 | 18.5  | 2018771-3           | 2132469-1  |
|        |          | Right    | 2132632-1   | 21.5      | 20.8 | 18.5  | 2018771-3           | 2132469-1  |
|        |          | Dual     | 2132631-1   | 22.9      | 20.8 | 18.5  | 2018771-3           | 2132469-1  |
|        |          | Open     | 2132629-1   | 20.1      | 20.8 | 18.5  | 2018771-3           | 2132469-1  |



Visit the IMPACT connector webpage at: [www.te.com/products/Impact](http://www.te.com/products/Impact)

### Orthogonal Header Assemblies (Continued)

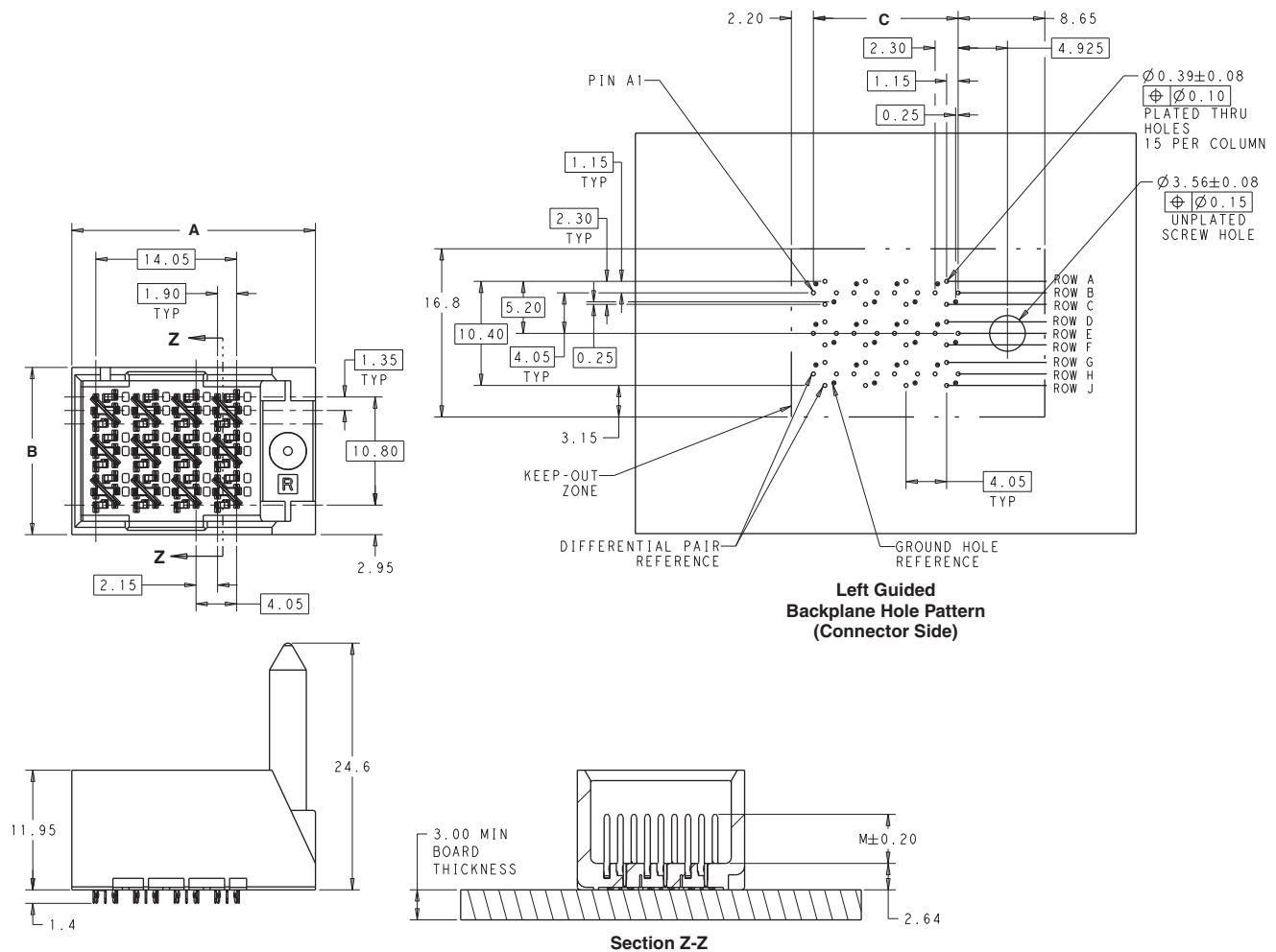
#### 3 Pair Orthogonal Header Assemblies



| Column | Guide    | Wall End  | Part Number | Dimension |       |           | Application Tooling | Mates With |
|--------|----------|-----------|-------------|-----------|-------|-----------|---------------------|------------|
|        |          |           |             | A         | B     | C         |                     |            |
| 6      | Left     | Right     | 2132562-1   | 20.3      | 16.7  | 10.4      | 2018770-1           | 2132422-1  |
|        |          | Open      | 2132561-1   | 18.9      | 16.7  | 10.4      | 2018770-1           | 2132422-1  |
|        | Right    | Left      | 2132564-1   | 20.3      | 16.7  | 10.4      | 2018770-1           | 2132423-1  |
|        |          | Open      | 2132563-1   | 18.9      | 16.7  | 10.4      | 2018770-1           | 2132423-1  |
|        | Unguided | Left      | 2132566-1   | 13.4      | 16.7  | 10.4      | 2018770-1           | 2132424-1  |
|        |          | Right     | 2132568-1   | 13.4      | 16.7  | 10.4      | 2018770-1           | 2132424-1  |
| Dual   |          | 2132567-1 | 14.8        | 16.7      | 10.4  | 2018770-1 | 2132424-1           |            |
| 8      | Left     | Right     | 2132578-1   | 24.3      | 16.7  | 14.45     | 2018770-2           | 2132425-1  |
|        |          | Open      | 2132577-1   | 22.9      | 16.7  | 14.45     | 2018770-2           | 2132425-1  |
|        | Right    | Left      | 2132580-1   | 24.3      | 16.7  | 14.45     | 2018770-2           | 2132426-1  |
|        |          | Open      | 2132579-1   | 22.9      | 16.7  | 14.45     | 2018770-2           | 2132426-1  |
|        | Unguided | Left      | 2132582-1   | 17.45     | 16.7  | 14.45     | 2018770-2           | 2132427-1  |
|        |          | Right     | 2132584-1   | 17.45     | 16.7  | 14.45     | 2018770-2           | 2132427-1  |
|        |          | Dual      | 2132583-1   | 18.85     | 16.7  | 14.45     | 2018770-2           | 2132427-1  |
|        | Open     | 2132581-1 | 16.05       | 16.7      | 14.45 | 2018770-2 | 2132427-1           |            |

**Note:** 8 column part number 2132580-1 is pictured below.

All the numbers provided are for 0.39mm PCB plated thru hole use. Part numbers are available for 0.46mm PCB plated thru holes by contacting the respective country product information center listed on the bottom of each page.



Visit the IMPACT connector webpage at: [www.te.com/products/Impact](http://www.te.com/products/Impact)

## Part Number Index

**Note:** This index lists all cataloged parts by base no. only. Complete part nos. (with prefixes and/or suffixes) are shown on the page(s) indicated.

| Part No. | Page      | Part No. | Page          | Part No. | Page   |
|----------|-----------|----------|---------------|----------|--------|
| 2007703  | 11, 17    | 2007855  | 15            | 2132427  | 23, 27 |
| 2007704  | 11, 17    | 2007856  | 13            | 2132461  | 22, 26 |
| 2007705  | 4, 11, 17 | 2007857  | 9, 15         | 2132462  | 22, 26 |
| 2007709  | 11, 17    | 2007860  | 13            | 2132463  | 22, 26 |
| 2007710  | 11, 17    | 2007861  | 9, 15         | 2132464  | 22, 26 |
| 2007711  | 11, 17    | 2007863  | 15            | 2132465  | 22, 26 |
| 2007715  | 10, 16    | 2007866  | 13            | 2132466  | 22, 26 |
| 2007716  | 10, 16    | 2007868  | 15            | 2132467  | 22, 26 |
| 2007717  | 4, 10, 16 | 2007869  | 15            | 2132468  | 22, 26 |
| 2007721  | 10, 16    | 2007870  | 9, 15         | 2132469  | 22, 26 |
| 2007722  | 10, 16    | 2007871  | 15            | 2132561  | 23, 27 |
| 2007723  | 10, 16    | 2007873  | 8, 14         | 2132562  | 27     |
| 2007739  | 8, 14     | 2007875  | 14            | 2132563  | 23, 27 |
| 2007740  | 8, 14     | 2007877  | 8, 14         | 2132564  | 27     |
| 2007741  | 4, 8, 14  | 2007879  | 14            | 2132565  | 27     |
| 2007745  | 8, 14     | 2007882  | 4             | 2132566  | 27     |
| 2007746  | 8, 14     | 2007884  | 14            | 2132567  | 23, 27 |
| 2007747  | 8, 14     | 2007885  | 14            | 2132568  | 27     |
| 2007777  | 11, 17    | 2007886  | 8, 14         | 2132577  | 23, 27 |
| 2007779  | 17        | 2007887  | 14            | 2132578  | 27     |
| 2007781  | 11, 17    | 2007889  | 8, 14         | 2132579  | 23, 27 |
| 2007783  | 17        | 2007891  | 14            | 2132580  | 27     |
| 2007786  | 4         | 2007893  | 8, 14         | 2132581  | 27     |
| 2007788  | 17        | 2007895  | 14            | 2132582  | 27     |
| 2007789  | 11, 17    | 2007900  | 14            | 2132583  | 23, 27 |
| 2007790  | 17        | 2007901  | 14            | 2132584  | 27     |
| 2007791  | 17        | 2007902  | 8, 14         | 2132593  | 22, 26 |
| 2007793  | 11, 17    | 2007903  | 14            | 2132594  | 26     |
| 2007795  | 17        | 2057403  | 12, 18, 19    | 2132595  | 22, 26 |
| 2007797  | 11, 17    | 2057404  | 12, 18, 19    | 2132596  | 26     |
| 2007799  | 17        | 2057405  | 4, 12, 18, 19 | 2132597  | 22, 26 |
| 2007804  | 17        | 2057409  | 12, 18, 19    | 2132598  | 26     |
| 2007805  | 11, 17    | 2057410  | 12, 18, 19    | 2132599  | 22, 26 |
| 2007806  | 17        | 2057411  | 12, 18, 19    | 2132600  | 26     |
| 2007807  | 17        | 2057419  | 12, 18        | 2132609  | 22, 26 |
| 2007809  | 10, 16    | 2057421  | 18            | 2132610  | 26     |
| 2007811  | 16        | 2057423  | 12, 18        | 2132611  | 22, 26 |
| 2007813  | 10, 16    | 2057425  | 18            | 2132612  | 26     |
| 2007815  | 16        | 2057428  | 4             | 2132613  | 26     |
| 2007818  | 4         | 2057430  | 18            | 2132614  | 26     |
| 2007820  | 16        | 2057431  | 18            | 2132615  | 22, 26 |
| 2007821  | 16        | 2057432  | 12, 18        | 2132616  | 26     |
| 2007822  | 10, 16    | 2057433  | 18            | 2132625  | 26     |
| 2007823  | 16        | 2057737  | 12, 18        | 2132626  | 26     |
| 2007825  | 10, 16    | 2057739  | 18            | 2132627  | 26     |
| 2007827  | 16        | 2057741  | 12, 18        | 2132628  | 26     |
| 2007829  | 10, 16    | 2057743  | 18            | 2132629  | 26     |
| 2007831  | 16        | 2057748  | 18            | 2132630  | 26     |
| 2007836  | 16        | 2057749  | 18            | 2132631  | 22, 26 |
| 2007837  | 16        | 2057750  | 12, 18        | 2132632  | 26     |
| 2007838  | 10, 16    | 2057751  | 18            | 2132690  | 21, 25 |
| 2007839  | 16        | 2110104  | 9, 15         | 2132691  | 21, 25 |
| 2007840  | 13        | 2110105  | 9, 15         | 2132692  | 21, 25 |
| 2007841  | 9, 15     | 2110106  | 4, 9, 15      | 2132693  | 21, 25 |
| 2007843  | 15        | 2110122  | 9, 15         | 2132694  | 21, 25 |
| 2007844  | 13        | 2110123  | 9, 15         | 2132695  | 21, 25 |
| 2007845  | 9, 15     | 2110124  | 9, 15         | 2132696  | 21, 25 |
| 2007847  | 15        | 2132422  | 23, 27        | 2132697  | 21, 25 |
| 2007850  | 4, 13     | 2132423  | 23, 27        | 2132698  | 21, 25 |
| 2007852  | 15        | 2132424  | 23, 27        | 2132718  | 20, 24 |
| 2007853  | 15        | 2132425  | 23, 27        | 2132719  | 20, 24 |
| 2007854  | 9, 15     | 2132426  | 23, 27        | 2132720  | 20, 24 |



**Part Number Index** (Continued)

| Part No. | Page   | Part No. | Page   | Part No. | Page   |
|----------|--------|----------|--------|----------|--------|
| 2132721  | 20, 24 | 2143268  | 24     | 2143560  | 25     |
| 2132722  | 20, 24 | 2143269  | 24     | 2143561  | 25     |
| 2132723  | 20, 24 | 2143270  | 24     | 2143562  | 21, 25 |
| 2143012  | 19     | 2143271  | 20, 24 | 2143569  | 21, 25 |
| 2143013  | 19     | 2143272  | 24     | 2143570  | 25     |
| 2143014  | 19     | 2143309  | 19     | 2143571  | 21, 25 |
| 2143015  | 19     | 2143310  | 19     | 2143572  | 25     |
| 2143016  | 19     | 2143311  | 19     | 2143573  | 25     |
| 2143017  | 19     | 2143312  | 19     | 2143574  | 21, 25 |
| 2143018  | 19     | 2143313  | 19     | 2143621  | 25     |
| 2143019  | 19     | 2143314  | 19     | 2143622  | 25     |
| 2143249  | 20, 24 | 2143315  | 19     | 2143625  | 25     |
| 2143250  | 24     | 2143316  | 19     | 2143626  | 25     |
| 2143251  | 20, 24 | 2143545  | 21, 25 | 2143629  | 25     |
| 2143252  | 24     | 2143546  | 25     | 2143630  | 25     |
| 2143253  | 24     | 2143547  | 21, 25 | 2149392  | 13     |
| 2143254  | 24     | 2143548  | 25     | 2149393  | 13     |
| 2143255  | 20, 24 | 2143549  | 25     | 2149394  | 13     |
| 2143256  | 24     | 2143550  | 21, 25 | 2149911  | 13     |
| 2143265  | 20, 24 | 2143557  | 21, 25 | 2149912  | 13     |
| 2143266  | 24     | 2143558  | 25     | 2149913  | 13     |
| 2143267  | 20, 24 | 2143559  | 21, 25 |          |        |

**Tooling Part Number Index**

| Part No. | Page | Part No. | Page | Part No. | Page   |
|----------|------|----------|------|----------|--------|
| 2018377  | 17   | 2018527  | 14   | 2018538  | 12     |
| 2018378  | 17   | 2018528  | 14   | 2018539  | 12     |
| 2018380  | 11   | 2018530  | 10   | 2018770  | 23, 27 |
| 2018381  | 11   | 2018531  | 10   | 2018771  | 22, 26 |
| 2018446  | 15   | 2018532  | 9    | 2018772  | 21, 25 |
| 2018448  | 9    | 2018534  | 8    | 2018773  | 20, 24 |
| 2018513  | 16   | 2018535  | 8    | 2018774  | 13     |
| 2018524  | 16   | 2018536  | 18   | 2018779  | 19     |
| 2018525  | 15   | 2018537  | 18   |          |        |

**te.com**

© 2011 Tyco Electronics Corporation, a TE Connectivity Ltd. Company. All Rights Reserved.

7-1773458-1 LUG PDF 04/2011

TE Connectivity, TE connectivity (logo) and TE (logo) are trademarks. Other logos, product and/or company names might be trademarks of their respective owners.



# Mouser Electronics

Authorized Distributor

Click to View Pricing, Inventory, Delivery & Lifecycle Information:

[TE Connectivity:](#)

[2143019-2](#)