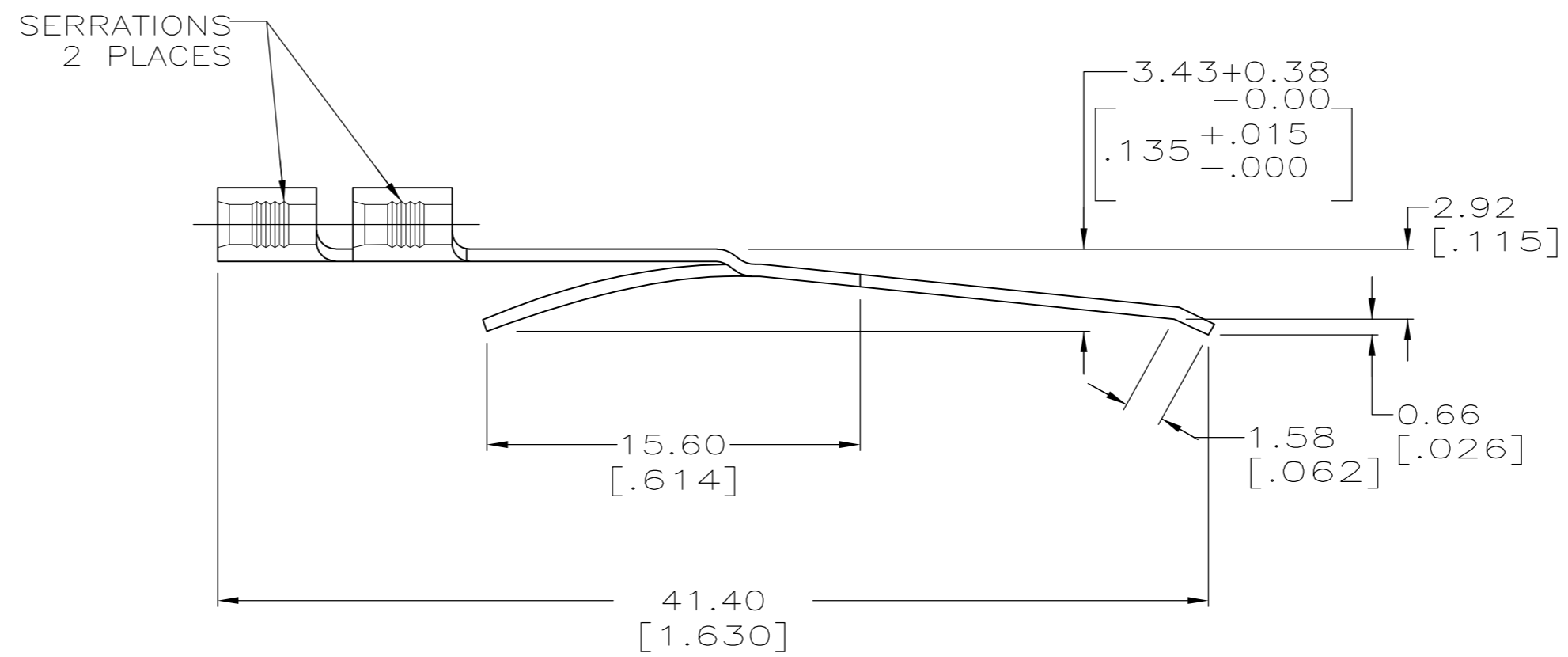
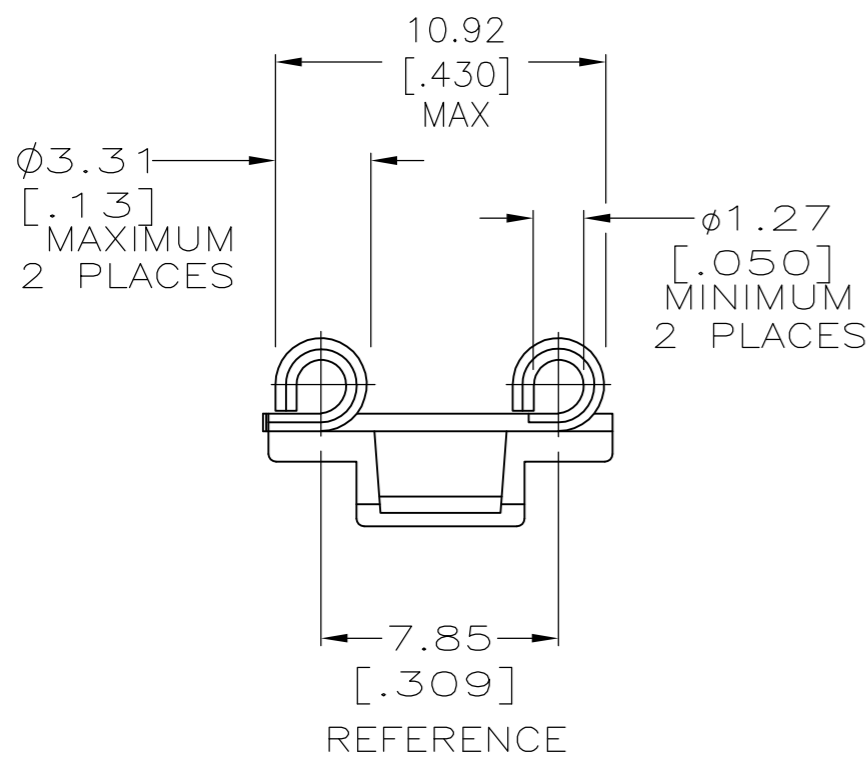
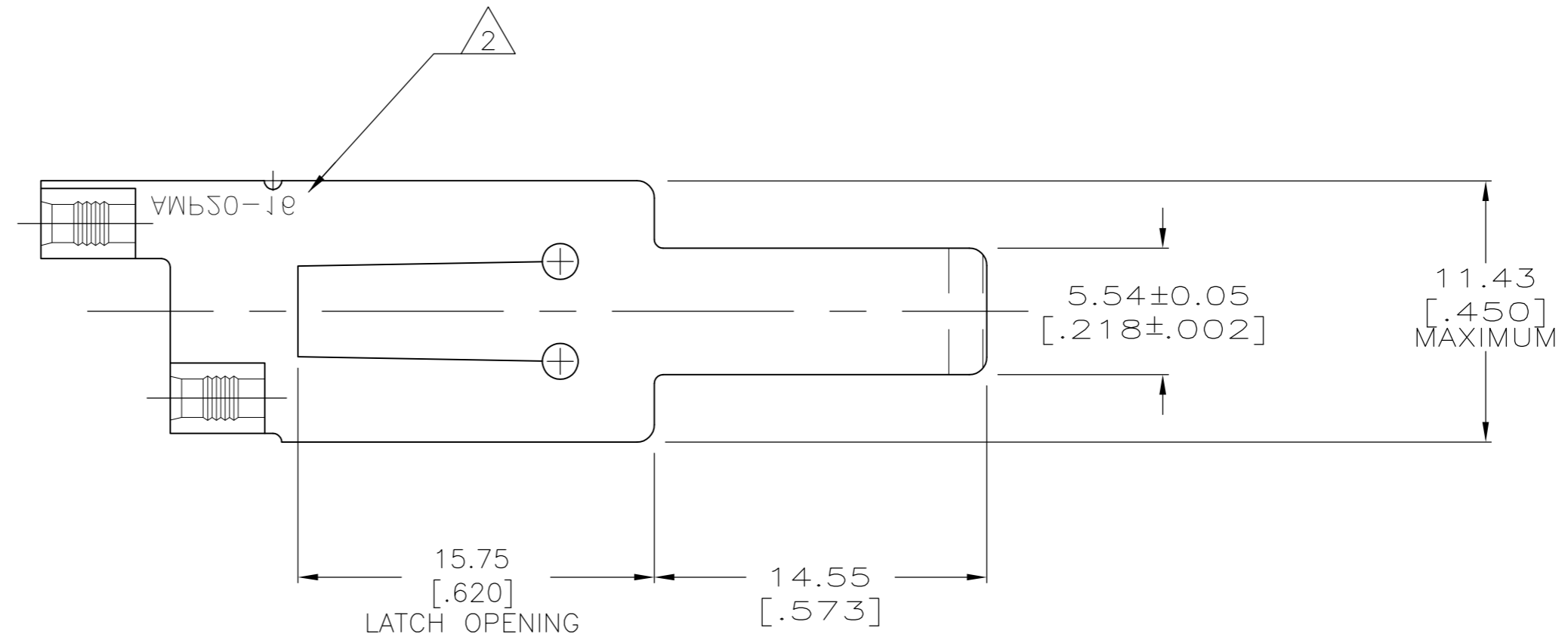


THIS DRAWING IS UNPUBLISHED. RELEASED FOR PUBLICATION
 © COPYRIGHT - By - ALL RIGHTS RESERVED.

REVISIONS				
P	LTR	DESCRIPTION	DATE	APVD
E		REVISED PER ECO-15-012447	21JUN2016	NK DR

- 1 DIMENSIONS ARE NOMINAL UNLESS OTHERWISE SPECIFIED.
- 2 TEXT IS LOCATED ON FAR SIDE OF PART.
- 3 MATERIAL: PHOSPHOR BRONZE 0.51[.021] THICK, SILVER PLATED.



53112-1
PART NO.

THIS DRAWING IS A CONTROLLED DOCUMENT.		DWN L. McEACHIN/UTA 25MAR96	TE Connectivity	
DIMENSIONS: mm [INCHES]		CHK N. JONES 28FEB96	NAME WIRE TERMINAL, SOLISTRAND-FLAG RELAY CONTACT, WIRE SIZE 20-16	
TOLERANCES UNLESS OTHERWISE SPECIFIED:		APVD P. RIEDL 5MAR96	SIZE A2	CAGE CODE 00779
0 PLC ± - 1		PRODUCT SPEC	DRAWING NO C=53112	RESTRICTED TO
1 PLC ± - 1		APPLICATION SPEC	SCALE 4:1	SHEET 1 OF 1
2 PLC ± 0.51[.02]		WEIGHT -	REV E	
3 PLC ± 0.127[.005]		CUSTOMER DRAWING		
4 PLC ± - 1				
ANGLES ± - 1				
FINISH 3				

Mouser Electronics

Authorized Distributor

Click to View Pricing, Inventory, Delivery & Lifecycle Information:

[TE Connectivity:](#)

[53112-1](#)