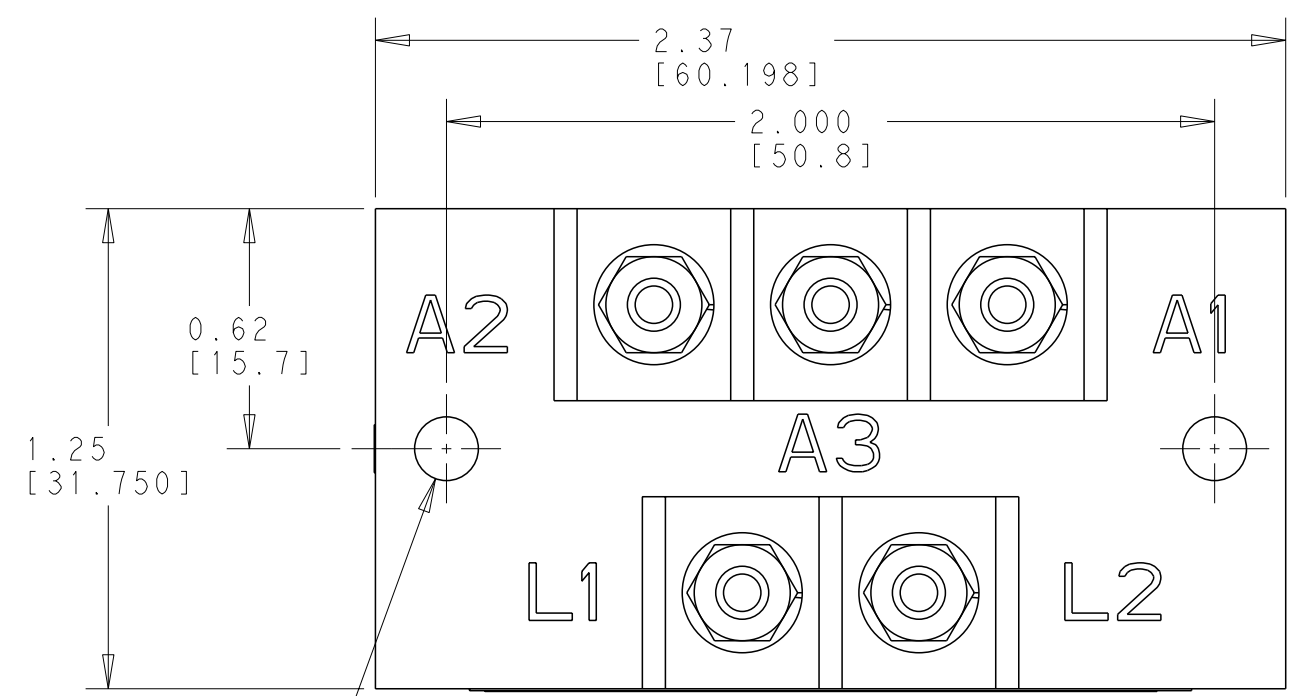
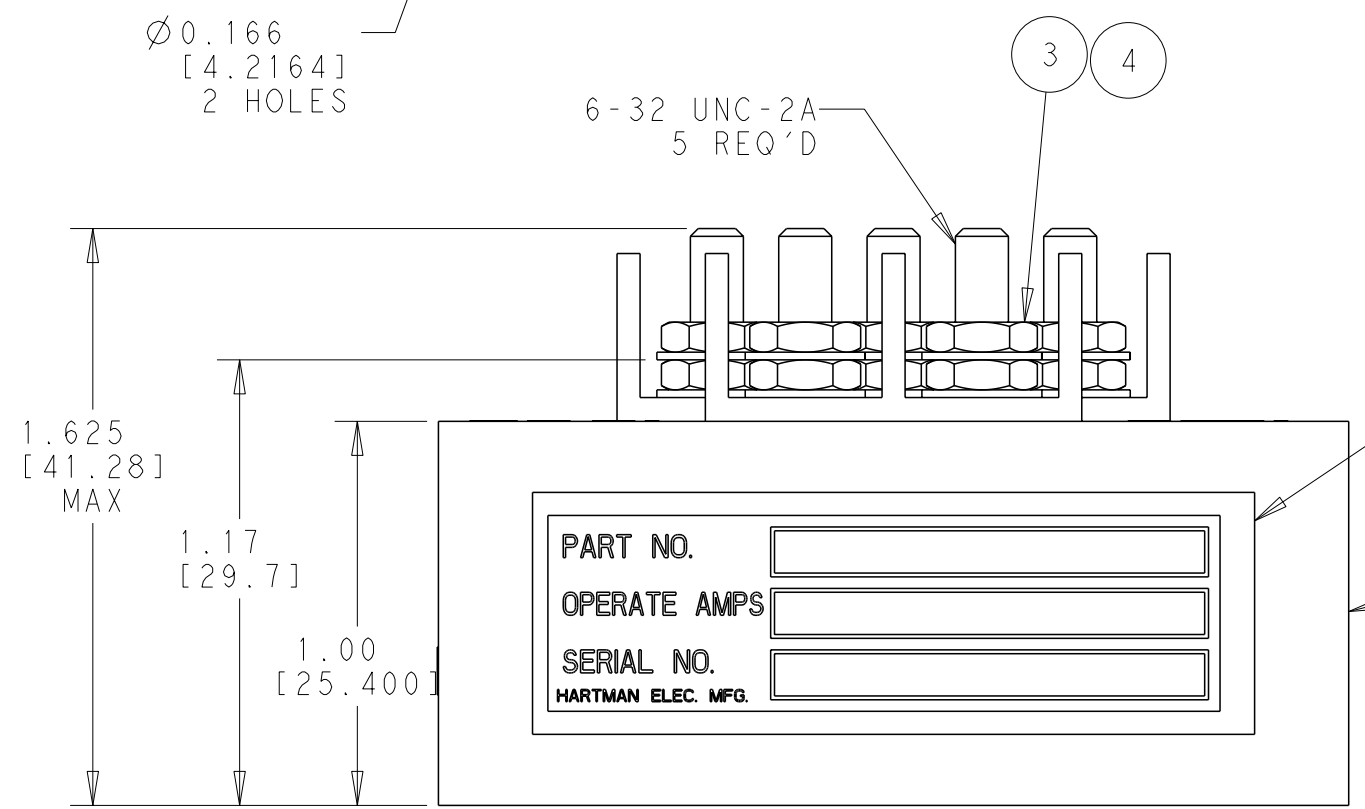
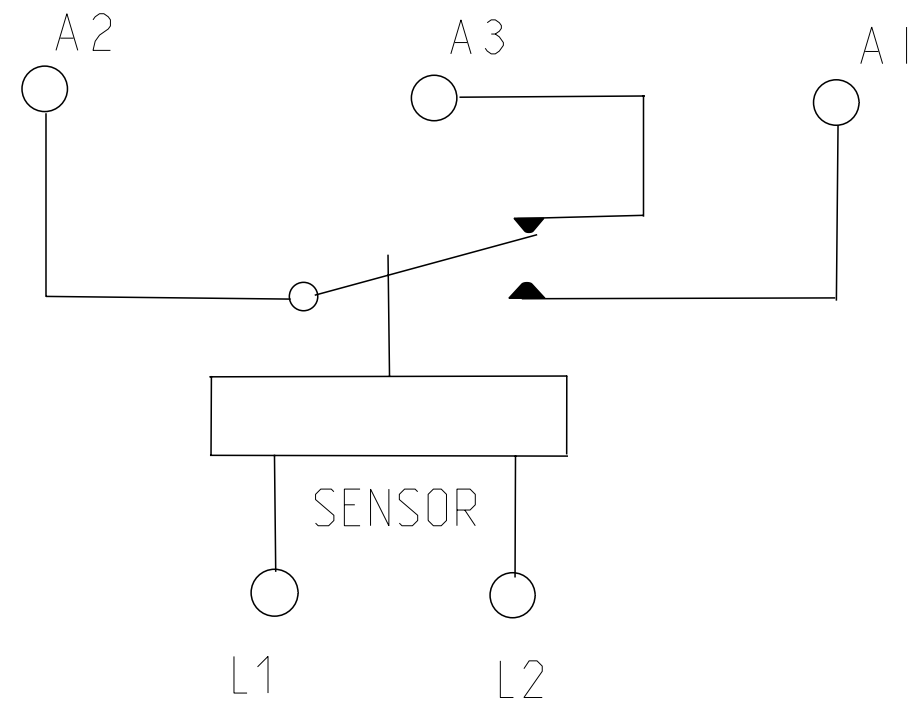


USED ON

DWG NO 1616131-4  
THIS DRAWING IS A CONTROLLED DOCUMENT



**OPERATING CHARACTERISTICS**  
 OPERATING VOLTAGE 28 VDC  
 PICK UP .3 AMPS MAX.  
 DROPOUT .1 AMPS MIN.  
 CONTINUOUS 2 AMPS DC  
 OVERLOAD 10 AMP FOR 5 SEC.  
 OUTPUT-SPDT .2 AMP RES 28 VDC  
 TEMP. -55°C TO +71°C  
 MAX. WEIGHT 5 OZ  
 LAMP LOAD .08 AMP  
 ALTITUDE 60,000FT MAX.



FIND NO	QTY REQD	PART OR IDENTIFYING NO	NOMENCLATURE OR DESCRIPTION	DRAWING OR SPECIFICATION	FSCM NO	TE PART NO	MATERIAL OR NOTE
5	1	39529-024	OVERLAY			1-1616283-9	
4	5	51806-014	WASHER LOCK #6 SPLIT			1616360-7	BRONZE
3	5	50406-034	NUT 6-32 X 1/4 X 3/32 HEX			5-1616337-3	BRASS
2	1	38481-010	RELAY ASSEMBLY PRIMARY			3-1616278-8	
1	1	34246-001	PLATE - NAME			6-1616928-7	

CAGE CODE: 76043 Hartman Division 175 N. DIAMOND STREET MANSFIELD, OHIO 44902		DWN 05AUG2016	MATERIAL BC 3376	HEAT TREAT
DIMENSIONS: INCHES [mm]		CHK 05AUG2016	TE Connectivity	
TOLERANCES UNLESS OTHERWISE SPECIFIED: 0 PLC ± 1 PLC ± 2 PLC ±.06 3 PLC ±.010 4 PLC ±		RV 05AUG2016		
APVD 05AUG2016		DWA	NAME RELAY-CURRENT INDICATOR Q-50AC	
ANGLES ±		SCALE NONE	SIZE A3	DRAWING NO 1616131-4
SURFACE TEXTURE		SHEET 1 OF 1		REV G

G	DESCRIPTION	DATE	DWN	APVD
G	SEE ECO 16-006506; REDRAWN	27APR2016	MR	DWA
LTR	REVISION RECORD	DATE	DWN	APVD

THIS INFORMATION IS CONFIDENTIAL AND PROPRIETARY TO TYCO ELECTRONICS CORPORATION AND ITS WORLDWIDE SUBSIDIARIES AND AFFILIATES (TE). IT MAY NOT BE DISCLOSED TO ANYONE, OTHER THAN TE PERSONNEL, WITHOUT AUTHORIZATION FROM TE (www.te.com).

# Mouser Electronics

Authorized Distributor

Click to View Pricing, Inventory, Delivery & Lifecycle Information:

[TE Connectivity:](#)

[Q50AC](#)