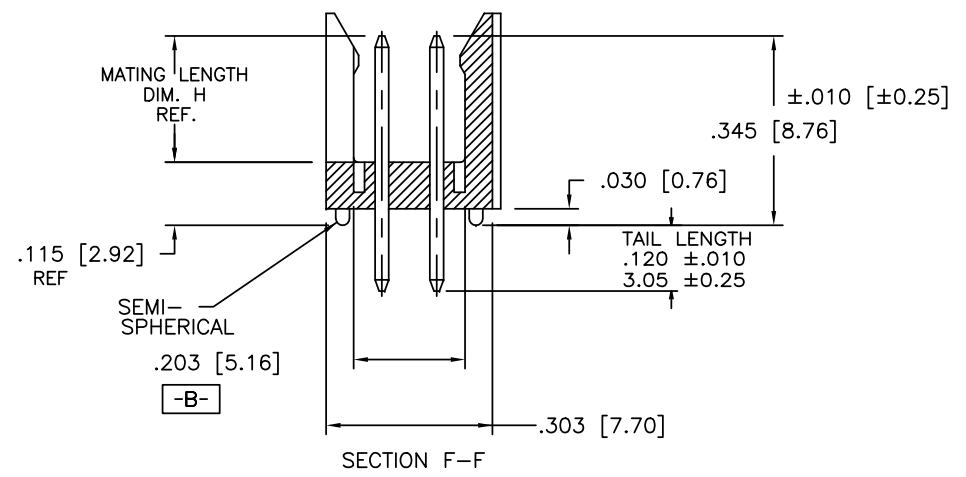
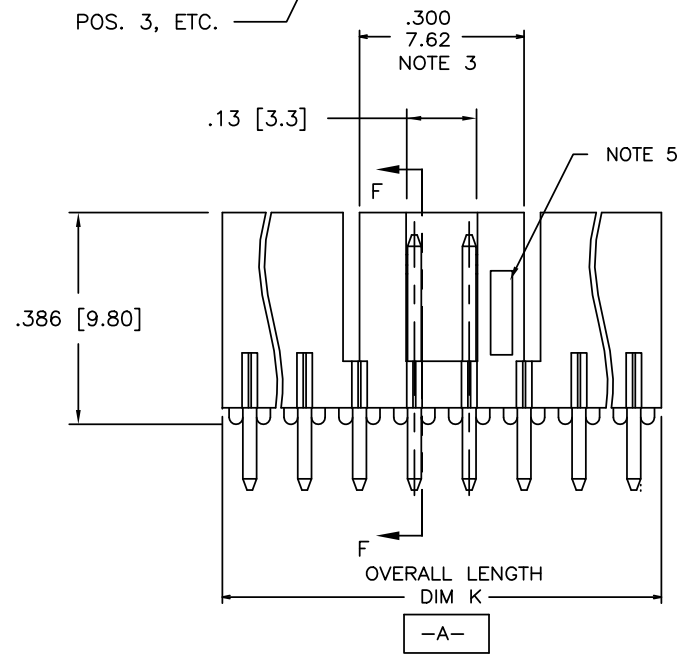
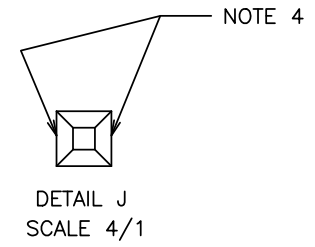
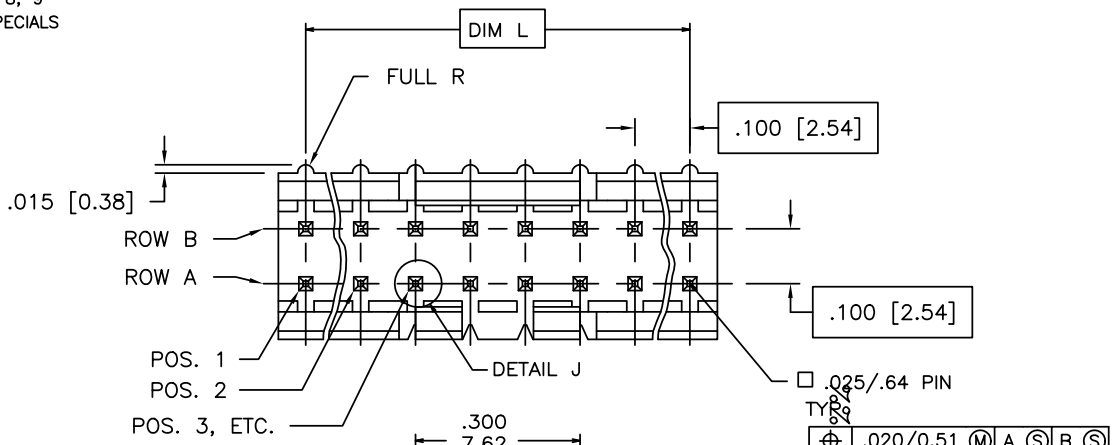


PRODUCT NUMBER
 69168-XYZHLF

- LEAD FREE OPTION
SEE NOTE 7, 8, 9
- CUSTOMER SPECIALS
SEE NOTE 6
- NO. OF POS.
SEE TABLE
- PIN PLATING
- BASE P/N



FCIconnect.com

Copyright FCI

| | | | | | | | | | |
|-------------------|-------------|---------------------------------------|------------|----------------------------------|-------------|-----------------------|--|---|--|
| mat'l. code | | surface ISO 1302 ✓ | | tolerance ISO 406 ISO 1101 | | projection INCH/MM | | product family HEADER | |
| ltr ecn nldr date | | tolerances unless otherwise specified | | angles | | line | | title | |
| M | EX-N-011899 | JZ | 2012-05-31 | | | | | FRICION LATCH HEADER DOUBLE ROW VERTICAL | |
| G | V03-0352 | GJP | 03/25/03 | 0°±2' | | | | scale 3:1 | |
| H | M05-0134 | ERE | 06/15/05 | dr | L.SADERS | | | 5/3/95 | |
| J | M06-0256 | MHT | 9/07/06 | engr | L.FYE | | | 5/3/95 | |
| K | M08-0023 | MHT | 1/28/08 | chr | T.BREWBAKER | | | 5/3/95 | |
| L | M08-0291 | MHT | 10/06/08 | appd | L.FYE | | | 5/3/95 | |
| sheet | revision | M | M | | | | | dwg no 69168 sheet of 2 size A3 | |
| index | sheet | 1 | 2 | | | | | type Product Customer Drawing | |

| PRODUCT NUMBER | NO.OF POS. | MATING LENGTH DIM H | OVERALL LENGTH DIM K | DIM L | NOTES |
|----------------|------------|---------------------|----------------------|-------------|--------|
| 69168-X06 | 2 X 3 | 0.230/5.84 | 0.300/7.62 | 0.200/5.08 | |
| -X08 | 2 X 4 | 0.230/5.84 | 0.400/10.16 | 0.300/7.62 | |
| -X08A | 2 X 4 | 0.210/5.33 | 0.400/10.16 | 0.300/7.62 | NOTE 6 |
| -X10 | 2 X 5 | 0.230/5.84 | 0.500/12.70 | 0.400/10.16 | |
| -X10A | 2 X 5 | 0.210/5.33 | 0.500/12.70 | 0.400/10.16 | NOTE 6 |
| -X12 | 2 X 6 | 0.230/5.84 | 0.600/15.24 | 0.500/12.70 | |
| -X14 | 2 X 7 | 0.230/5.84 | 0.700/17.78 | 0.600/15.24 | |
| -X16 | 2 X 8 | 0.230/5.84 | 0.800/20.32 | 0.700/17.78 | |
| -X16A | 2 X 8 | 0.210/5.33 | 0.800/20.32 | 0.700/17.78 | NOTE 6 |
| -X18 | 2 X 9 | 0.230/5.84 | 0.900/22.86 | 0.800/20.32 | |
| -X18A | 2 X 9 | 0.210/5.33 | 0.900/22.86 | 0.800/20.32 | NOTE 6 |
| -X20 | 2 X 10 | 0.230/5.84 | 1.000/25.40 | 0.900/22.86 | |
| -X22 | 2 X 11 | 0.230/5.84 | 1.100/27.94 | 1.000/25.40 | |
| -X24 | 2 X 12 | 0.230/5.84 | 1.200/30.48 | 1.100/27.94 | |
| -X26 | 2 X 13 | 0.230/5.84 | 1.300/33.02 | 1.200/30.48 | |
| -X28 | 2 X 14 | 0.230/5.84 | 1.400/35.56 | 1.300/33.02 | |
| 69168-X30 | 2 X 15 | 0.230/5.84 | 1.500/38.10 | 1.400/35.56 | |

NOTES:

- MOLDING MAT'L: GLASS REINFORCED PCT, COLOR: BLACK
FLAME RETARDANT PER UL 94 V-0
MAXIMUM OPERATING TEMPERATURE: 130° C
OR
MINERAL FILLED LCP, COLOR BLACK
FLAME RETARDANT PER UL 94 V-0
- PIN MATERIAL: 3/4 HD PHOS. BRZ.
- NO SLOTS ON 2 X 5 POSITION OR SMALLER PRODUCT. THE CENTER KEY SLOT WILL BE ON ALL HEADERS REGARDLESS OF SIZE.
- TWO NON-CRITICAL SIDES OF PIN TIP NOT PLATED, BOTH ENDS.
- COMPANY LOGO MAY APPEAR IN THIS AREA.
- CUSTOMER SPECIAL -- "A" SUFFIX INDICATES 0.210/5.33 MATING LENGTH.
- ADD "HLF" SUFFIX AT THE END OF PART NUMBER FOR LEAD FREE OPTION, NOT AVAILABLE FOR -5YY, -5YYH, -6YY & -6YYH.
- PART NUMBERS WITH "H" SUFFIX WILL WITHSTAND EXPOSURE TO 260°C PEAK TEMPERATURE FOR 20 SECONDS IN WAVE SOLDER, INFRA-RED OR VAPOR PHASE SOLDER PROCESS.

PART NUMBERS WITHOUT "H" SUFFIX WILL WITHSTAND EXPOSURE TO 260°C PEAK TEMPERATURE FOR WAVE SOLDER PROCESS.
- THIS PRODUCT MEETS EUROPEAN UNION DIRECTIVES AND OTHER COUNTRY REGULATION AS DESCRIBED IN GS-22-008.
- PLATING OPTIONS:
PERFORMANCE PLATING WILL BE EITHER GOLD OR GXT ON CONTACT OR TAIL, OPTIONALLY (78~295u"/2~7.5u) TIN ON TAIL.
- "THIS PRODUCT HAS 100% TIN PLATING IN THE INTERFACE AND HAS NOT BEEN TESTED FOR WHISKER GROWTH IN ALL INTERCONNECT ENVIRONMENTS."

PIN PLATING CODES

| | |
|---------|--|
| -1YY | 30u"/.76u (SEE NOTE 10) 50u"/1.27u Ni |
| -2YY | 15u/.38u (SEE NOTE 10) 50u"/1.27u Ni |
| -3YY | 50u"/1.27u (SEE NOTE 10) 50u"/1.27u Ni |
| -4YY | 100u"/2.54u MIN Sn 50u"/1.27u Ni (SEE NOTE 11) |
| -4YYHLF | |
| -5YY | 15u"/.38u (SEE NOTE 10) 50u"/1.27u Ni |
| -6YY | 30u"/.76u (SEE NOTE 10) 50u"/1.27u Ni |
| -7YY | 30u"/.76u (SEE NOTE 10) OVER 50u"/1.27u Ni |
| -8YY | 15u"/.38u (SEE NOTE 10) OVER 50u"/1.27u Ni |

| | | | | |
|-------------------|---------------------------------------|----------------------------------|----------------|---|
| mat'l. code | surface ISO 1302 ✓ | tolerance ISO 406 ISO 1101 | projection | product family HEADER |
| ltr ecn nldr date | tolerances unless otherwise specified | | | title FRICTION LATCH HEADER DOUBLE ROW VERTICAL |
| M | angles | linea | INCH/MM | scale 3:1 |
| | 0±2' | | | |
| dr | L.SADERS | 5/3/95 | | dwg no 69168 |
| engr | L.FYE | 5/3/95 | | shee 2 of 2 size A3 |
| chr | T.BREWBAKER | 5/3/95 | | |
| appd | L.FYE | 5/3/95 | | |
| sheet index | revision sheet | | | type Product Customer Drawing |

Mouser Electronics

Authorized Distributor

Click to View Pricing, Inventory, Delivery & Lifecycle Information:

[FCI / Amphenol:](#)

[69168-408](#) [69168-206](#) [69168-208](#) [69168-210](#) [69168-216](#) [69168-410](#) [69168-416](#) [69168-608](#) [69168-610](#) [69168-612](#) [69168-130](#) [69168-110](#) [69168-112](#) [69168-114](#) [69168-116](#) [69168-106](#) [69168-126](#) [69168-120](#) [69168-108](#) [69168-124HLF](#) [69168-106HLF](#) [69168-108AHLF](#) [69168-108HLF](#) [69168-110AHLF](#) [69168-114HLF](#) [69168-116AHLF](#) [69168-118HLF](#) [69168-120HLF](#) [69168-122HLF](#) [69168-128HLF](#) [69168-130HLF](#) [69168-206HLF](#) [69168-208HLF](#) [69168-210HLF](#) [69168-212HLF](#) [69168-214HLF](#) [69168-216HLF](#) [69168-218HLF](#) [69168-220HLF](#) [69168-222HLF](#) [69168-224HLF](#) [69168-226HLF](#) [69168-228HLF](#) [69168-230HLF](#) [69168-306HLF](#) [69168-310HLF](#) [69168-314HLF](#) [69168-316HLF](#) [69168-320HLF](#) [69168-330HLF](#) [69168-408HLF](#) [69168-410HLF](#) [69168-412HLF](#) [69168-414HLF](#) [69168-416HLF](#) [69168-420HLF](#) [69168-422HLF](#) [69168-424HLF](#) [69168-426HLF](#) [69168-428HLF](#) [69168-430HLF](#) [69168-118](#) [69168-308HLF](#) [69168-312HLF](#) [69168-318HLF](#) [69168-322HLF](#) [69168-324HLF](#) [69168-326HLF](#) [69168-328HLF](#) [69168-406](#) [69168-406HLF](#) [69168-418HLF](#) [69168-126HLF](#) [69168-112HLF](#) [69168-110HLF](#) [69168-116HLF](#) [69168-118AHLF](#)