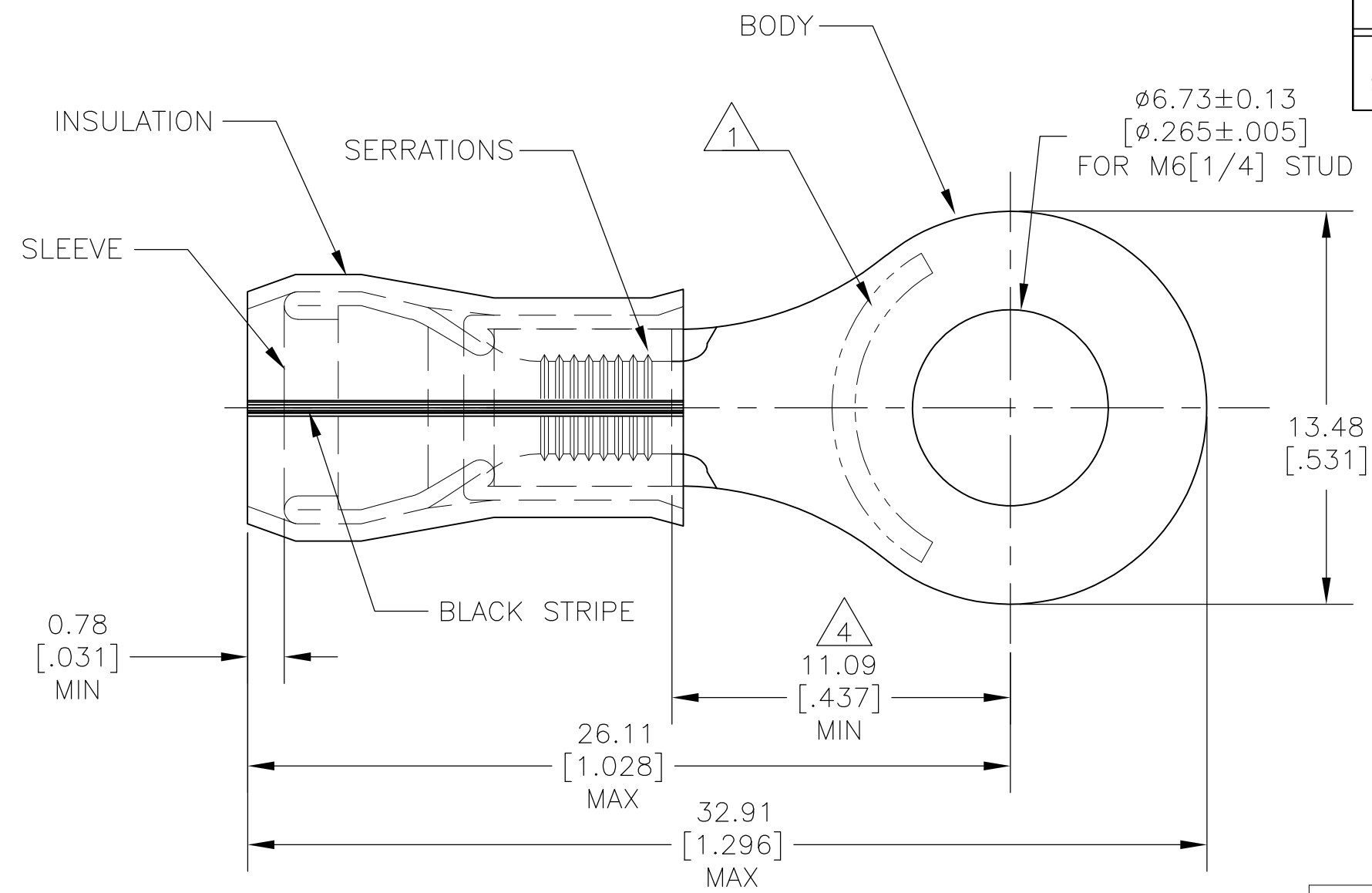


THIS DRAWING IS UNPUBLISHED. RELEASED FOR PUBLICATION
 © COPYRIGHT - By - ALL RIGHTS RESERVED.

| LOC | DIST | REVISIONS | | | |
|-----|------|-------------|---------------------------|-----------|-------|
| P | LTR | DESCRIPTION | DATE | DWN | APVD |
| G | 14 | E | REVISED PER ECO-14-015277 | 25FEB2015 | NK DR |

| | | |
|--------------------------------|--------------------------------|--------------------------------|
| AMP WIRE RANGE | E13288 Listed | LR7189 Certified |
| 16-14 AWG SOLID OR STRANDED | 16-14 AWG SOLID OR STRANDED | 16-14 AWG SOLID OR STRANDED |



- 1 STAMP "AMP 16-14HD *".
- 2 FOR 3.81[.150]-5.84[.230] WIRE INSULATION DIA.
- 3 TONGUE MATL THK IS 1.22±0.05[.048±.002].
- 4 APPLIES FROM THE METAL EDGE OF THE BARREL TO THE CENTER OF THE STUD.

| QTY | PACKAGE TYPE | MATERIAL & FINISH | PART NO |
|-----|----------------|--|------------|
| 1 | 327743 ON TAPE | BODY & SLEEVE: COPPER PER ASTM B-152 TIN PL PER ASTM B-545 | 1-327743-1 |
| 1 | LOOSE PIECE | INSULATION: NYLON - YELLOW (MIL-M-20693) TYPE I | 327743 |

| | |
|--|--|
| AMP INCORPORATED CUSTOMER SERVICE SYSTEMS | |
| FOR ADDITIONAL PRODUCT INFORMATION OR COPIES OF DRAWINGS AND TECHNICAL DOCUMENTS | PRODUCT INFORMATION CENTER 1-800-522-6752 |
| FOR APPLICATION TOOLING INFORMATION | TOOLING ASSISTANCE CENTER 1-800-722-1111 |
| FOR ORDER ENTRY | 1-800-526-5142 |

| |
|---|
| MAX RECOMMENDED OPERATING TEMPERATURE: 105°C [221°F] |
| VOLTAGE RATING: 300 V MAX |
| CIRCULAR MIL AREA: 1.04-2.62mm² [2,050-5,180] SOLID OR STRANDED |

| | |
|--|--|
| THIS DRAWING IS A CONTROLLED DOCUMENT. | |
| DIMENSIONS: MM [INCHES] | TOLERANCES UNLESS OTHERWISE SPECIFIED: |
| | 0 PLC ± - |
| | 1 PLC ± - |
| | 2 PLC ± - |
| | 3 PLC ± - |
| | 4 PLC ± - |
| | ANGLES ± 5' |
| MATERIAL | FINISH |
| - | - |

| | | | |
|------------------------------------|-----------------|--|---------------|
| DWN jr_ruth 24JUL09 | TE Connectivity | RING TONGUE, PIDG, WIRE SIZE: 16-14HD | |
| CHK TOM MICHIELUTTI 24JUL09 | | SIZE | CAGE CODE |
| APVD TOM MICHIELUTTI 24JUL09 | | DRAWING NO | RESTRICTED TO |
| PRODUCT SPEC | | A300779 | C-327743 |
| APPLICATION SPEC | WEIGHT | - | - |
| CUSTOMER DRAWING | | SCALE | SHEET |
| | | 8:1 | 1 OF 1 |
| | | REV | E |

Mouser Electronics

Authorized Distributor

Click to View Pricing, Inventory, Delivery & Lifecycle Information:

[TE Connectivity:](#)

[1-327743-1](#)