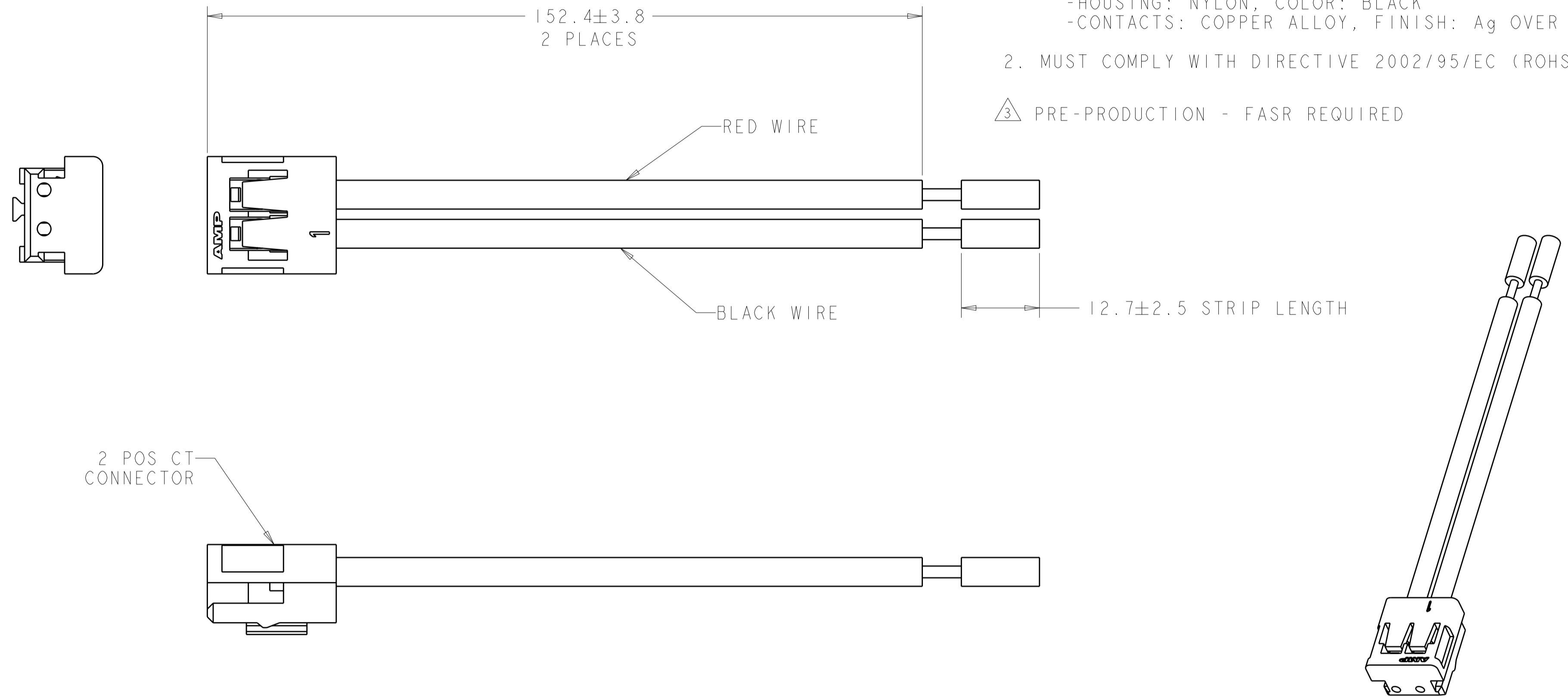


THIS DRAWING IS UNPUBLISHED. RELEASED FOR PUBLICATION 20
 © COPYRIGHT 20 BY TYCO ELECTRONICS CORPORATION. ALL RIGHTS RESERVED.

LOC		DIST		REVISIONS			
P	LTR	DESCRIPTION	DATE	DWN	APVD		
-	-	A	REVISED PER ECR-09-011291	21MAY2009	HMR	DD	

NOTES:

- 1 MATERIALS AND FINISH:
 - HOUSING: NYLON, COLOR: BLACK
 - CONTACTS: COPPER ALLOY, FINISH: Ag OVER Sn
- 2. MUST COMPLY WITH DIRECTIVE 2002/95/EC (ROHS)
- 3 PRE-PRODUCTION - FASR REQUIRED



SCALE 4:1

3 2058077-1
PART NO.

THIS DRAWING IS A CONTROLLED DOCUMENT FOR TYCO ELECTRONICS CORPORATION. IT IS SUBJECT TO CHANGE AND THE CONTROLLING ENGINEERING ORGANIZATION SHOULD BE CONTACTED FOR THE LATEST REVISION.		DWN S. FISHER 28FEB2008	Tyco Electronics Harrisburg, PA 17105-3608	
DIMENSIONS: mm		CHK C. GINGRICH 28FEB2008	NAME CABLE ASSEMBLY CT 2 POSITION	
TOLERANCES UNLESS OTHERWISE SPECIFIED: 0 PLC ± 1 PLC ± 2 PLC ± 3 PLC ± 4 PLC ± ANGLES ± FINISH		APVD -	PRODUCT SPEC -	RESTRICTED TO -
MATERIAL		APPLICATION SPEC 114-5179	SIZE A200779	DRAWING NO C-2058077
CUSTOMER DRAWING		WEIGHT -	SCALE NTS	SHEET 1 OF 1 REV A

Mouser Electronics

Authorized Distributor

Click to View Pricing, Inventory, Delivery & Lifecycle Information:

[TE Connectivity:](#)

[2058077-1](#)