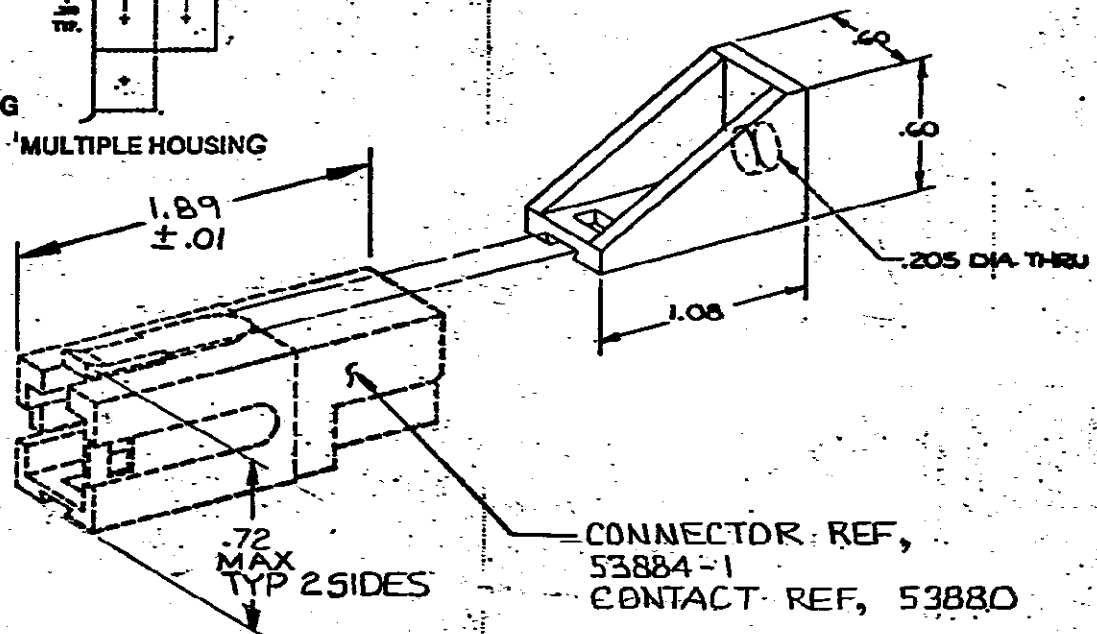
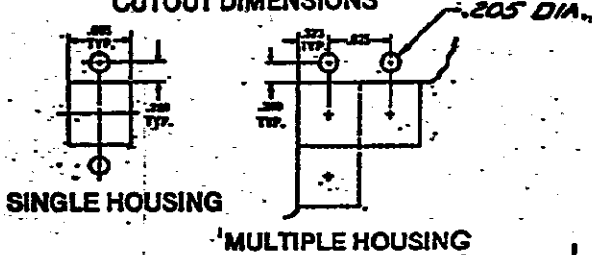


REVISIONS			
LTR	DESCRIPTION	DATE	APPROVED
L1	REVISED PER ECO-11-005294	12APR11	HMR

53886

***RECOMMENDED PANEL CUTOUT DIMENSIONS**



NOTE:

1. MUST BE USED WITH MALE MOUNTING ADAPTER- P/N 53887-1
2. ONE EACH MINIMUM OF THE MALE & FEMALE MOUNTING ADAPTERS ARE RECOMMENDED FOR ATTACHING SINGLE AND MULTIPLE HOUSINGS.

CONNECTOR REF, 53884-1
CONTACT REF, 53880

53886-1
PART NO

UNLESS OTHERWISE SPECIFIED DIMENSIONS ARE IN INCHES. TOLERANCES ON: DECIMALS ±.010 ANGLES ± 5°	CONTRACT NO	TE Connectivity		
	DR <i>W. Miller</i> 1-29-75			
	CHK <i>W. Shockey</i> 1-29-75	NAME	MOUNTING ADAPTER, FEMALE AMP POWER LOCK, SERIES 2	
	APPD <i>D.R. Hooten</i> 1-29-75	SIZE	CODE IDENT NO	NUMBER
	APPD <i>D.W. ...</i> 1/29/75	A	00779	53886
FINISH	DSGN APPD <i>D.W. ...</i> 1-29-75	SCALE	SHEET 1 OF 1	
	OTHER APPD			

CUSTOMER DRAWING

Mouser Electronics

Authorized Distributor

Click to View Pricing, Inventory, Delivery & Lifecycle Information:

[TE Connectivity:](#)

[53886-1](#)