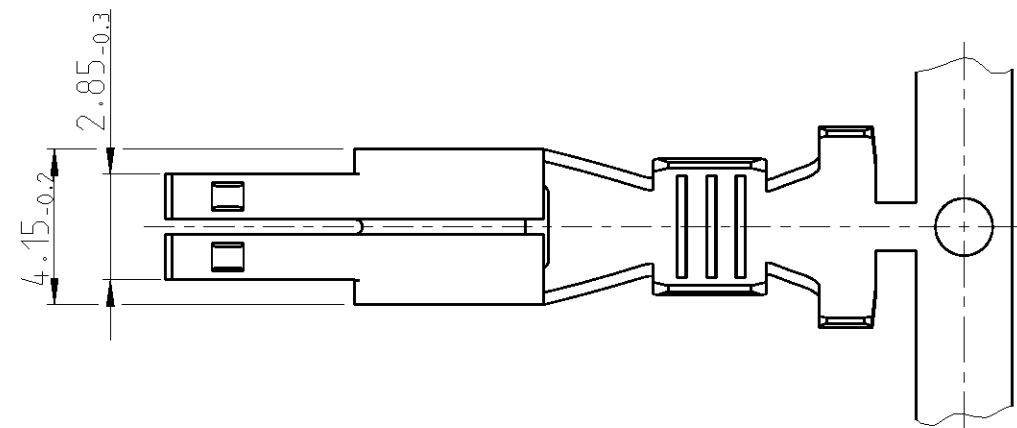
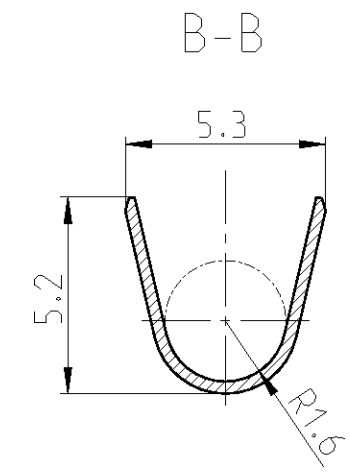
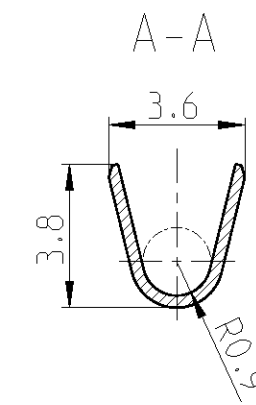
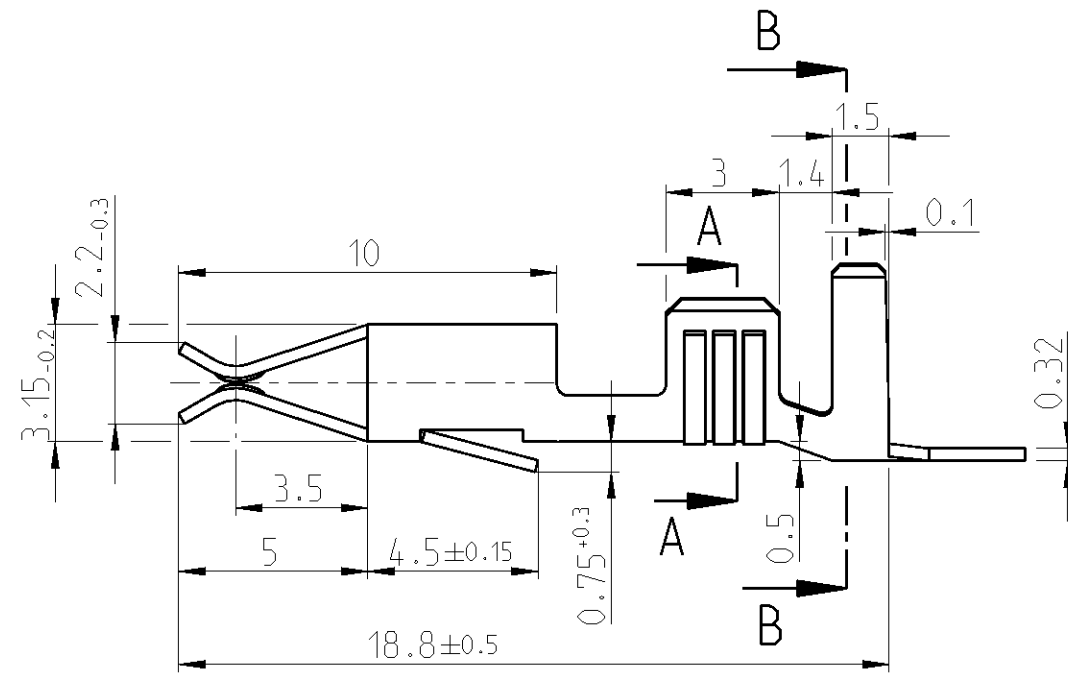


LOC
A1

DIST
-

REVISIONS

P	LTR	DESCRIPTION	DATE	DWN	APVD
	A	Zeichnungskorrektur	30JAN1985	Widd	-
	B	New CAD drawing created.	12JUN2013	Kirs.	Eder



NOTES
Bemerkungen
 1 CRIMP PREFORMED
Crimp vorgeformt

CONDUCTOR CROSS-SECTION IN mm ² Leitungsquerschnitt in mm ²		0.50	0.75	1.00	1.50	2.00	2.50	3.00	4.00	6.00
SINGLE CONNECTION Einzelanschlag										
0.50		X	X	X						
0.75	X	X	X	X						
1.00	X	X	X	X						
1.50	X	X	X	X						
2.00										
2.50	X									
3.00										
4.00										
6.00										

WIRE SIZE RANGE: >1.0-2.5mm²
 Drahtgroessenbereich: >1.0-2.5mm²
 CRIMPING CONDUCTOR: FLK-WIRE
 CONDUCTOR: F-CRIMP
 INSULATION: F-CRIMP
 angeschlagener Leiter: FLK-Leitung
 Leiter: F-Crimp
 Isolation: F-Crimp

THIS DRAWING IS A CONTROLLED DOCUMENT.	
DIMENSIONS: mm	TOLERANCES UNLESS OTHERWISE SPECIFIED: ±0.2
	0 PLC 1 PLC 2 PLC 3 PLC 4 PLC ANGLES
MATERIAL	FINISH

927878-4	PRE SILVER	CuZn30	927877-4	B
927878-2	PRE TIN	CuSn4	927877-2	B
927878-1	PRE TIN	CuZn30	927877-1	B
LOOSE PIECE 1	FINISH	MATERIAL	STRIP PART	REV

DWN J. W idder	26SEP1984	TE Connectivity		
CHK Herth	08OCT1984			
APVD C. Goennel	12JUN2013	NAME JUNIOR-TIMER CONTACT Junior-Timer Kontakt		
PRODUCT SPEC	-	SIZE A3	CAGE CODE 00779	DRAWING NO G-927877
APPLICATION SPEC	-	RESTRICTED TO		-
WEIGHT	-	SCALE 5:1	SHEET 1 OF 1	REV B

Mouser Electronics

Authorized Distributor

Click to View Pricing, Inventory, Delivery & Lifecycle Information:

[TE Connectivity:](#)

[927877-1](#)