

Customer Information Sheet

DRAWING No.: M20-782XXXX

SHEET 2 OF 2

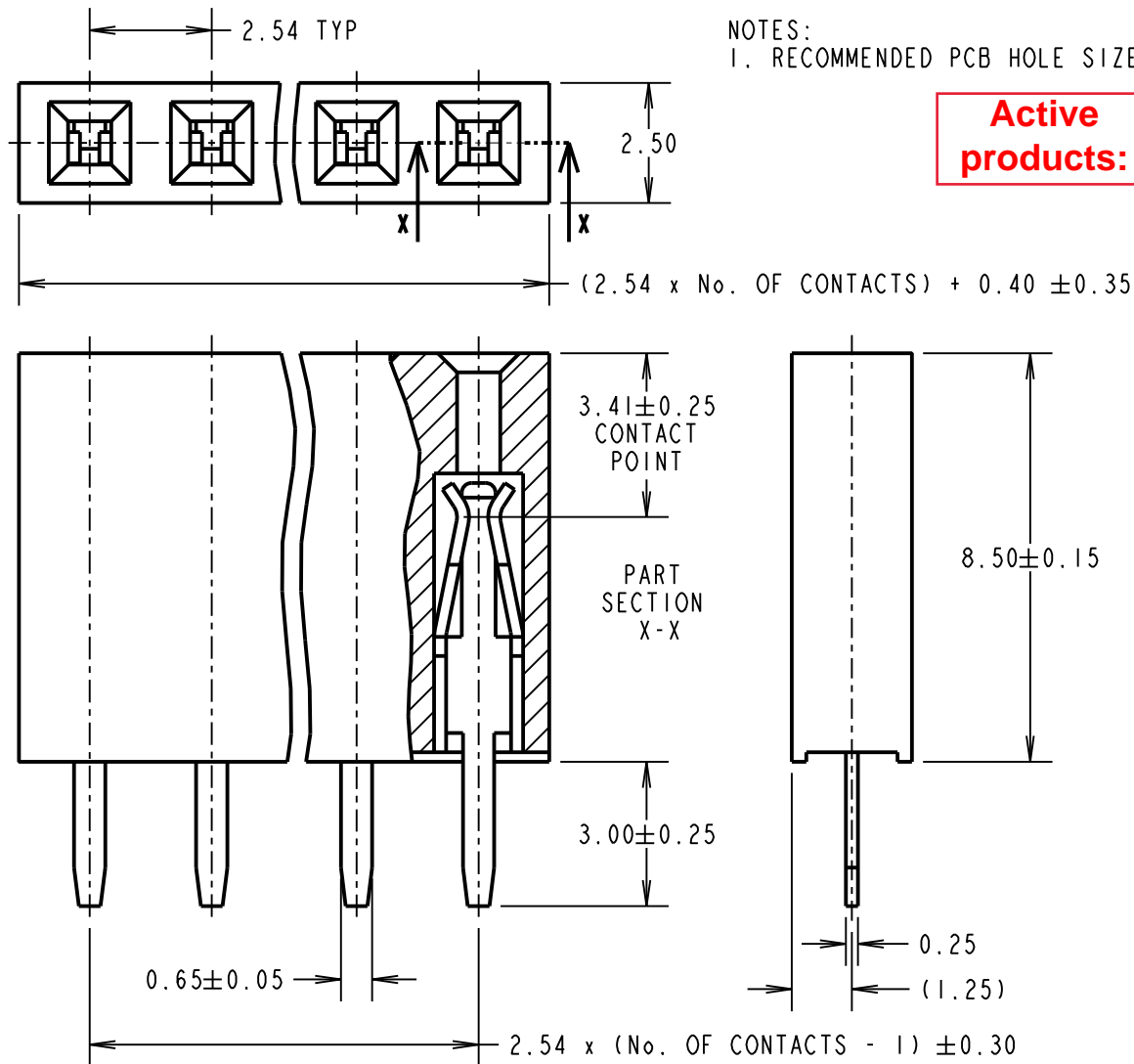
IF IN DOUBT - ASK

©

NOT TO SCALE

THIRD ANGLE PROJECTION

ALL DIMENSIONS IN mm



NOTES:
1. RECOMMENDED PCB HOLE SIZE = $\varnothing 1.00$ mm.

Active products:

- M20-78202XX
- M20-78203XX
- M20-78204XX
- M20-78205XX
- M20-78206XX
- M20-7820842
- M20-78209XX
- M20-78210XX
- M20-7821146
- M20-78212XX
- M20-7821346
- M20-7821446
- M20-7821546
- M20-78216XX
- M20-7821746
- M20-79220XX
- M20-7823646

SPECIFICATION:

MATERIAL:

MOULDING = PA9T UL94V-0, BLACK
CONTACTS = PHOSPHOR BRONZE
FINISH (OVER NICKEL):
42 = GOLD FLASH ON CONTACT AREA,
100% TIN ON TAILS
46 = 100% TIN

ELECTRICAL:

CURRENT RATING = 3A
VOLTAGE PROOF = 1000V AC
CONTACT RESISTANCE = $20m\Omega$ MAX
INSULATION RESISTANCE = $1,000M\Omega$ MIN

ENVIRONMENTAL:

TEMPERATURE RANGE = $-40^{\circ}C$ TO $+105^{\circ}C$

MECHANICAL:

INSERTION FORCE = 1.96N MAX
WITHDRAWAL FORCE = 0.29N MIN
DURABILITY = 300 OPERATIONS

PACKING:

TUBE
FOR COMPLETE SPECIFICATION SEE COMPONENT SPECIFICATION C001XX (LATEST ISSUE)

OBSOLETE

All other size/finish combinations not listed above

ORDER CODE:

M20-782XXXX

No. OF CONTACTS: _____
02 TO 20, 25, 32, 36

FINISH: _____
42 = SELECTIVE GOLD / 100% TIN
46 = 100% TIN

WJP	10	01.08.17	20398
NAME	ISS.	DATE	C/NOTE
APPROVED: W. J. PRESTON			
CHECKED: M. PLESTED			
DRAWN: J. EVANS			
CUSTOMER REF.:			
ASSEMBLY DRG:			

HARWIN

www.harwin.com
technical@harwin.com

THIS DRAWING AND ANY INFORMATION OR DESCRIPTIVE MATTER SET OUT HEREON ARE CONFIDENTIAL AND COPYRIGHT PROPERTY OF THE HARWIN GROUP AND MUST NOT BE DISCLOSED, LOANED, COPIED OR USED FOR MANUFACTURING, TENDERING OR FOR ANY OTHER PURPOSE WITHOUT THEIR WRITTEN PERMISSION.

TOLERANCES
X. = ± 1 mm
X.X = ± 0.50 mm
X.XX = ± 0.10 mm
X.XXX = ± 0.01 mm
ANGLES = $\pm 5^{\circ}$
UNLESS STATED

MATERIAL:

SEE ABOVE

FINISH: SEE ABOVE

S/AREA: mm²

TITLE:

2.54mm PITCH SIL VERTICAL
PC TAIL SOCKET ASSEMBLY

DRAWING NUMBER:

M20-782XXXX

SHT
2 OF 2