

The MPC9772 is a 3.3 V compatible, 1:12 PLL based clock generator targeted for high performance low-skew clock distribution in mid-range to high-performance networking, computing and telecom applications. With output frequencies up to 240 MHz and output skews less than 250 ps the device meets the needs of the most demanding clock applications.

**Features**

- 1:12 PLL Based Low-Voltage Clock Generator
- 3.3 V Power Supply
- Internal Power-On Reset
- Generates Clock Signals Up to 240 MHz
- Maximum Output Skew of 250 ps
- On-Chip Crystal Oscillator Clock Reference
- Two LVCMOS PLL Reference Clock Inputs
- External PLL Feedback Supports Zero-Delay Capability
- Various Feedback and Output Dividers (See [Applications Information Section](#))
- Supports Up to Three Individual Generated Output Clock Frequencies
- Synchronous Output Clock Stop Circuitry for Each Individual Output for Power Down Support
- Drives Up to 24 Clock Lines
- Ambient Temperature Range 0°C to +70°C
- Pin and Function Compatible To the MPC972
- 52-Lead Pb-Free Package
- **For drop in replacement use 87972DYI-147**

**MPC9772**

**3.3 V 1:12 LVCMOS  
PLL CLOCK GENERATOR**



**AE SUFFIX  
52-LEAD LQFP PACKAGE  
Pb-FREE PACKAGE  
CASE 848D-03**

**Functional Description**

The MPC9772 utilizes PLL technology to frequency lock its outputs onto an input reference clock. Normal operation of the MPC9772 requires the connection of the PLL feedback output QFB to feedback input FB\_IN to close the PLL feedback path. The reference clock frequency and the divider for the feedback path determine the VCO frequency. Both must be selected to match the VCO frequency range. The MPC9772 features an extensive level of frequency programmability between the 12 outputs as well as the output to input relationships, for instance 1:1, 2:1, 3:1, 3:2, 4:1, 4:3, 5:1, 5:2, 5:3, 5:4, 5:6, 6:1, 8:1, and 8:3.

The QSYNC output will indicate when the coincident rising edges of the above relationships will occur. The selectability of the feedback frequency is independent of the output frequencies. This allows for very flexible programming of the input reference versus output frequency relationship. The output frequencies can be either odd or even multiples of the input reference. In addition the output frequency can be less than the input frequency for applications where a frequency needs to be reduced by a non-binary factor. The MPC9772 also supports the 180° phase shift of one of its output banks with respect to the other output banks. The QSYNC outputs reflects the phase relationship between the QA and QC outputs and can be used for the generation of system baseline timing signals.

The REF\_SEL pin selects the internal crystal oscillator or the LVCMOS compatible inputs as the reference clock signal. Two alternative LVCMOS compatible clock inputs are provided for clock redundancy support. The PLL\_EN control selects the PLL bypass configuration for test and diagnosis. In this configuration, the selected input reference clock is routed directly to the output dividers bypassing the PLL. The PLL bypass is fully static and the minimum clock frequency specification and all other PLL characteristics do not apply.

The outputs can be individually disabled (stopped in logic low state) by programming the serial CLOCK\_STOP interface of the MPC9772. The MPC9772 has an internal power-on reset.

The MPC9772 is fully 3.3 V compatible and requires no external loop filter components. All inputs (except XTAL) accept LVCMOS signals while the outputs provide LVCMOS compatible levels with the capability to drive terminated 50 Ω transmission lines. For series terminated transmission lines, each of the MPC9772 outputs can drive one or two traces giving the devices an effective fanout of 1:24. The device is pin and function compatible to the MPC972 and is packaged in a 52-lead LQFP package.

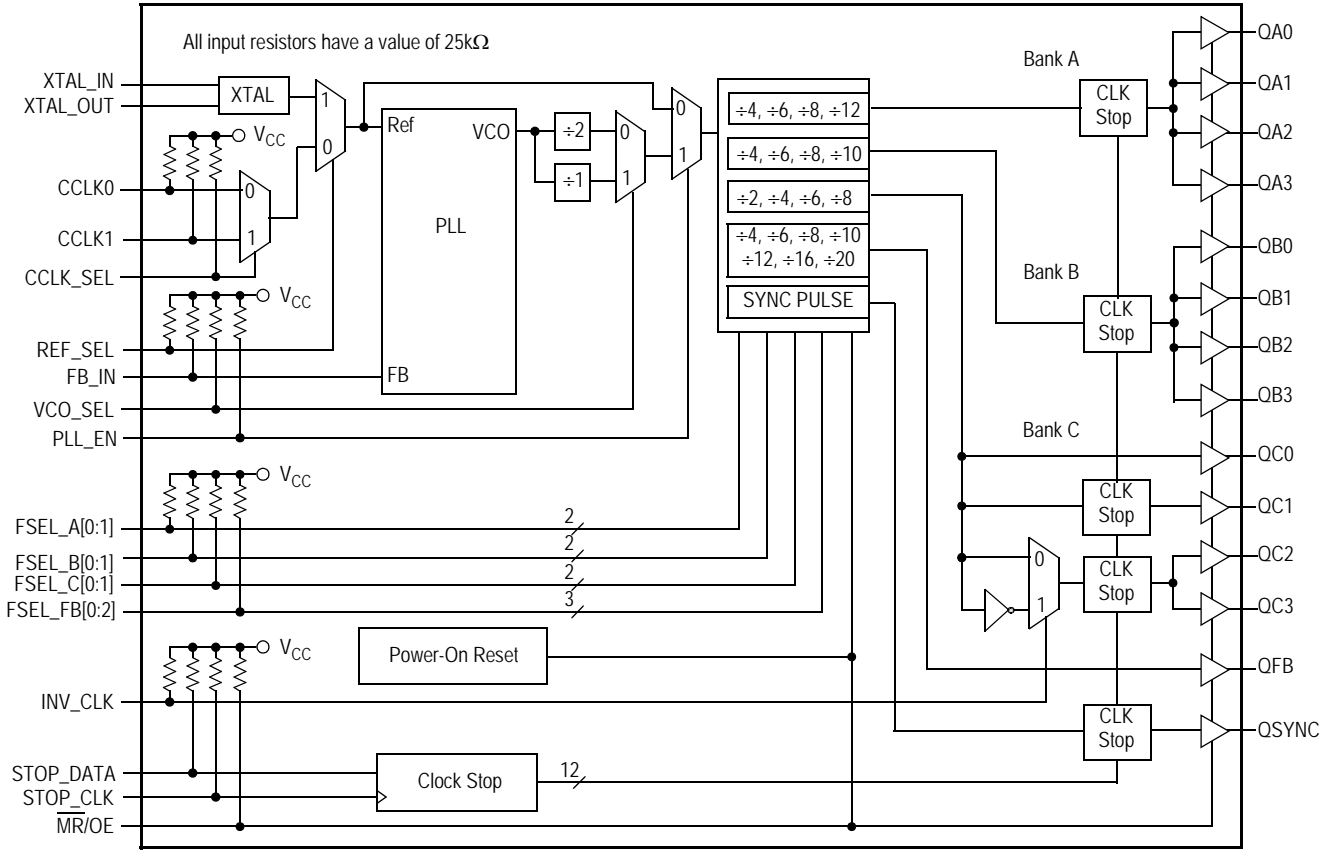


Figure 1. Logic Diagram

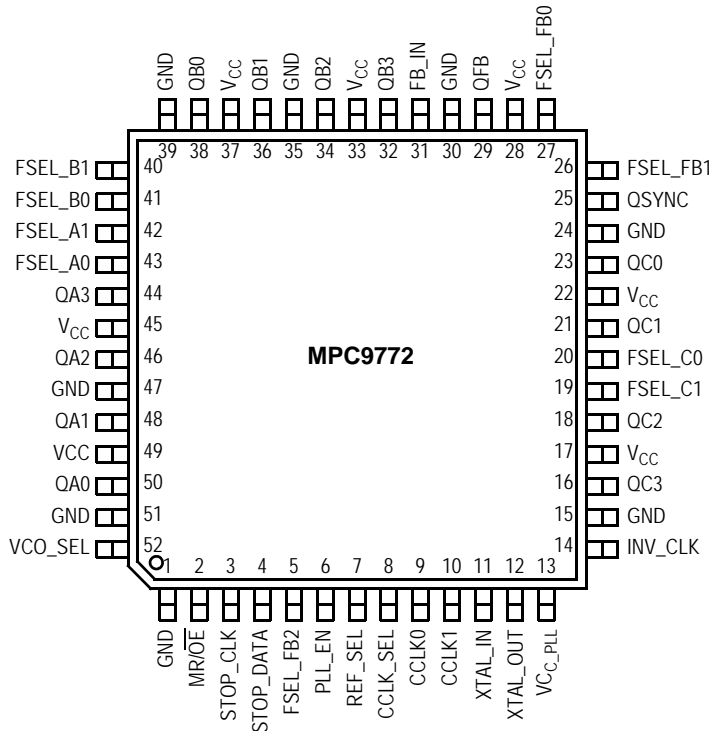


Figure 2. MPC9772 52-Lead Package Pinout (Top View)

**Table 1. Pin Configuration**

Pin	I/O	Type	Function
CCLK0	Input	LVC MOS	PLL reference clock
CCLK1	Input	LVC MOS	Alternative PLL reference clock
XTAL_IN, XTAL_OUT		Analog	Crystal oscillator interface
FB_IN	Input	LVC MOS	PLL feedback signal input, connect to an QFB
CCLK_SEL	Input	LVC MOS	LVC MOS clock reference select
REF_SEL	Input	LVC MOS	LVC MOS/PECL reference clock select
VCO_SEL	Input	LVC MOS	VCO operating frequency select
PLL_EN	Input	LVC MOS	PLL enable/PLL bypass mode select
MR/OE	Input	LVC MOS	Output enable/disable (high-impedance tristate) and device reset
FSEL_A[0:1]	Input	LVC MOS	Frequency divider select for bank A outputs
FSEL_B[0:1]	Input	LVC MOS	Frequency divider select for bank B outputs
FSEL_C[0:1]	Input	LVC MOS	Frequency divider select for bank C outputs
FSEL_FB[0:2]	Input	LVC MOS	Frequency divider select for the QFB output
INV_CLK	Input	LVC MOS	Clock phase selection for outputs QC2 and QC3
STOP_CLK	Input	LVC MOS	Clock input for clock stop circuitry
STOP_DATA	Input	LVC MOS	Configuration data input for clock stop circuitry
QA[0-3]	Output	LVC MOS	Clock outputs (Bank A)
QB[0-3]	Output	LVC MOS	Clock outputs (Bank B)
QC[0-3]	Output	LVC MOS	Clock outputs (Bank C)
QFB	Output	LVC MOS	PLL feedback output. Connect to FB_IN.
QSYNC	Output	LVC MOS	Synchronization pulse output
GND	Supply	Ground	Negative power supply
V <sub>CC_PLL</sub>	Supply	V <sub>CC</sub>	PLL positive power supply (analog power supply). It is recommended to use an external RC filter for the analog power supply pin V <sub>CC_PLL</sub> . Please see applications section for details.
V <sub>CC</sub>	Supply	V <sub>CC</sub>	Positive power supply for I/O and core. All V <sub>CC</sub> pins must be connected to the positive power supply for correct operation

**Table 2. Function Table (Configuration Controls)**

Control	Default	0	1
REF_SEL	1	Selects CCLKx as the PLL reference clock	Selects the crystal oscillator as the PLL reference clock
CCLK_SEL	1	Selects CCLK0	Selects CCLK1
VCO_SEL	1	Selects VCO÷2. The VCO frequency is scaled by a factor of 2 (low VCO frequency range).	Selects VCO÷1. (high VCO frequency range)
PLL_EN	1	Test mode with the PLL bypassed. The reference clock is substituted for the internal VCO output. MPC9772 is fully static and no minimum frequency limit applies. All PLL related AC characteristics are not applicable.	Normal operation mode with PLL enabled.
INV_CLK	1	QC2 and QC3 are in phase with QC0 and QC1	QC2 and QC3 are inverted (180° phase shift) with respect to QC0 and QC1
MR/OE	1	Outputs disabled (high-impedance state) and device is reset. During reset/output disable the PLL feedback loop is open and the internal VCO is tied to its lowest frequency. The MPC9772 requires reset after any loss of PLL lock. Loss of PLL lock may occur when the external feedback path is interrupted. The length of the reset pulse should be greater than one reference clock cycle (CCLKx). The device is reset by the internal power-on reset (POR) circuitry during power-up.	Outputs enabled (active)

VCO\_SEL, FSEL\_A[0:1], FSEL\_B[0:1], FSEL\_C[0:1], FSEL\_FB[0:2] control the operating PLL frequency range and input/output frequency ratios. See [Table 3](#) to [Table 6](#) and the [Applications Information](#) for supported frequency ranges and output to input frequency ratios.

**Table 3. Output Divider Bank A (N<sub>A</sub>)**

VCO_SEL	FSEL_A1	FSEL_A0	QA[0:3]
0	0	0	VCO÷8
0	0	1	VCO÷12
0	1	0	VCO÷16
0	1	1	VCO÷24
1	0	0	VCO÷4
1	0	1	VCO÷6
1	1	0	VCO÷8
1	1	1	VCO÷12

**Table 4. Output Divider Bank B (N<sub>B</sub>)**

VCO_SEL	FSEL_B1	FSEL_B0	QB[0:3]
0	0	0	VCO÷8
0	0	1	VCO÷12
0	1	0	VCO÷16
0	1	1	VCO÷20
1	0	0	VCO÷4
1	0	1	VCO÷6
1	1	0	VCO÷8
1	1	1	VCO÷10

**Table 5. Output Divider Bank C (N<sub>C</sub>)**

VCO_SEL	FSEL_C1	FSEL_C0	QC[0:3]
0	0	0	VCO÷4
0	0	1	VCO÷8
0	1	0	VCO÷12
0	1	1	VCO÷16
1	0	0	VCO÷2

**Table 5. Output Divider Bank C (N<sub>C</sub>)**

VCO_SEL	FSEL_C1	FSEL_C0	QC[0:3]
1	0	1	VCO÷4
1	1	0	VCO÷6
1	1	1	VCO÷8

**Table 6. Output Divider PLL Feedback (M)**

VCO_SEL	FSEL_FB2	FSEL_FB1	FSEL_FB0	QFB
0	0	0	0	VCO÷8
0	0	0	1	VCO÷12
0	0	1	0	VCO÷16
0	0	1	1	VCO÷20
0	1	0	0	VCO÷16
0	1	0	1	VCO÷24
0	1	1	0	VCO÷32
0	1	1	1	VCO÷40
1	0	0	0	VCO÷4
1	0	0	1	VCO÷6
1	0	1	0	VCO÷8
1	0	1	1	VCO÷10
1	1	0	0	VCO÷8
1	1	0	1	VCO÷12
1	1	1	0	VCO÷16
1	1	1	1	VCO÷20

**Table 7. General Specifications**

Symbol	Characteristics	Min	Typ	Max	Unit	Condition
V <sub>TT</sub>	Output Termination Voltage		V <sub>CC</sub> ÷ 2		V	
MM	ESD Protection (Machine Model)	200			V	
HBM	ESD Protection (Human Body Model)	2000			V	
LU	Latch-Up Immunity	200			mA	
C <sub>PD</sub>	Power Dissipation Capacitance		12		pF	Per output
C <sub>IN</sub>	Input Capacitance		4.0		pF	Inputs

**Table 8. Absolute Maximum Ratings<sup>(1)</sup>**

Symbol	Characteristics	Min	Max	Unit	Condition
V <sub>CC</sub>	Supply Voltage	-0.3	3.9	V	
V <sub>IN</sub>	DC Input Voltage	-0.3	V <sub>CC</sub> +0.3	V	
V <sub>OUT</sub>	DC Output Voltage	-0.3	V <sub>CC</sub> +0.3	V	
I <sub>IN</sub>	DC Input Current		±20	mA	
I <sub>OUT</sub>	DC Output Current		±50	mA	
T <sub>S</sub>	Storage Temperature	-65	125	°C	

1. Absolute maximum continuous ratings are those maximum values beyond which damage to the device may occur. Exposure to these conditions or conditions beyond those indicated may adversely affect device reliability. Functional operation at absolute-maximum-rated conditions is not implied.

**Table 9. DC Characteristics** ( $V_{CC} = 3.3\text{ V} \pm 5\%$ ,  $T_A = -40^\circ$  to  $85^\circ\text{C}$ )

Symbol	Characteristics	Min	Typ	Max	Unit	Condition
$V_{CC\_PLL}$	PLL Supply Voltage	3.0		$V_{CC}$	V	LVC MOS
$V_{IH}$	Input High Voltage	2.0		$V_{CC} + 0.3$	V	LVC MOS
$V_{IL}$	Input Low Voltage			0.8	V	LVC MOS
$V_{OH}$	Output High Voltage	2.4			V	$I_{OH} = -24\text{ mA}^{(1)}$
$V_{OL}$	Output Low Voltage			0.55 0.30	V V	$I_{OL} = 24\text{ mA}$ $I_{OL} = 12\text{ mA}$
$Z_{OUT}$	Output Impedance		14 – 17		$\Omega$	
$I_{IN}$	Input Current <sup>(2)</sup>			$\pm 200$	$\mu\text{A}$	$V_{IN} = V_{CC}$ or GND
$I_{CC\_PLL}$	Maximum PLL Supply Current		3.0	5.0	mA	$V_{CC\_PLL}$ Pin
$I_{CCQ}$	Maximum Quiescent Supply Current			15	mA	All $V_{CC}$ Pins

- The MPC9772 is capable of driving  $50\ \Omega$  transmission lines on the incident edge. Each output drives one  $50\ \Omega$  parallel terminated transmission line to a termination voltage of  $V_{TT}$ . Alternatively, the device drives up to two  $50\ \Omega$  series terminated transmission lines.
- Inputs have pull-down resistors affecting the input current.

**Table 10. AC Characteristics** ( $V_{CC} = 3.3\text{ V} \pm 5\%$ ,  $T_A = -40^\circ$  to  $+85^\circ\text{C}$ )<sup>(1), (2)</sup>, continued on next page

Symbol	Characteristics	Min	Typ	Max		Unit	Condition	
				$T_A = 0^\circ\text{C}$ to $+70^\circ\text{C}$	$T_A = -40^\circ\text{C}$ to $+85^\circ\text{C}$			
$f_{REF}$	Input reference frequency	$\pm 4$ feedback	50.0		120.0	115.00	MHz	PLL locked
		$\pm 6$ feedback	33.3		80.0	76.67	MHz	
		$\pm 8$ feedback	25.0		60.0	57.50	MHz	
		$\pm 10$ feedback	20.0		48.0	46.00	MHz	
		$\pm 12$ feedback	16.6		40.0	38.33	MHz	
		$\pm 16$ feedback	12.5		30.0	28.75	MHz	
		$\pm 20$ feedback	10.0		24.0	23.00	MHz	
		$\pm 24$ feedback	8.33		20.0	19.16	MHz	
		$\pm 32$ feedback	6.25		15.0	14.37	MHz	
		$\pm 40$ feedback	5.00		12.0	11.50	MHz	
	Input reference frequency in PLL bypass mode <sup>(3)</sup>			250	250	MHz	PLL bypass	
$f_{VCO}$	VCO frequency range <sup>(4)</sup>	200		480	460	MHz		
$f_{XTAL}$	Crystal interface frequency range <sup>(4)</sup>	10		25		MHz		
$f_{MAX}$	Output Frequency	$\pm 2$ output	100.0		240.0	230.00	MHz	PLL locked
		$\pm 4$ output	50.0		120.0	115.00	MHz	
		$\pm 6$ output	33.3		80.0	76.67	MHz	
		$\pm 8$ output	25.0		60.0	57.50	MHz	
		$\pm 10$ output	20.0		48.0	46.00	MHz	
		$\pm 12$ output	16.6		40.0	38.33	MHz	
		$\pm 16$ output	12.5		30.0	28.75	MHz	
		$\pm 20$ output	10.0		24.0	23.00	MHz	
		$\pm 24$ output	8.33		20.0	19.16	MHz	
$f_{STOP\_CLK}$	Serial interface clock frequency			20		MHz		
$t_{PW\_MIN}$	Input Reference Pulse Width <sup>(5)</sup>	2.0				ns		
$t_R, t_F$	CCLKx Input Rise/Fall Time <sup>(6)</sup>			1.0		ns	0.8 to 2.0 V	

**Table 10. AC Characteristics** ( $V_{CC} = 3.3\text{ V} \pm 5\%$ ,  $T_A = -40^\circ\text{ to }+85^\circ\text{C}$ )<sup>(1), (2)</sup>, continued on next page

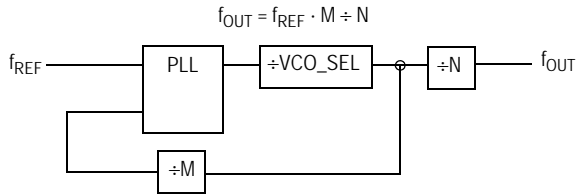
Symbol	Characteristics	Min	Typ	Max		Unit	Condition
				$T_A = 0^\circ\text{C}$ to $+70^\circ\text{C}$	$T_A = -40^\circ\text{C}$ to $+85^\circ\text{C}$		
$t_{(\varnothing)}$	Propagation Delay (static phase offset) <sup>(7)</sup> CCLK to FB_IN 6.25 MHz < $f_{REF}$ < 65.0 MHz 65.0 MHz < $f_{REF}$ < 125 MHz $f_{REF}=50\text{ MHz}$ and feedback= $\div 8$	-3 -4 -166		+3 +4 +166		° ° ps	PLL locked
$t_{SK(O)}$	Output-to-output Skew <sup>(8)</sup> within QA outputs within QB outputs within QC outputs all outputs			100 100 100 250		ps ps ps ps	
DC	Output Duty Cycle <sup>(9)</sup>	$(T \div 2) - 200$	$T \div 2$	$(T \div 2) + 200$		ps	
$t_R, t_F$	Output Rise/Fall Time	0.1		1.0		ns	0.55 to 2.4 V
$t_{PLZ, HZ}$	Output Disable Time			8		ns	
$t_{PZL, LZ}$	Output Enable Time			8		ns	
$t_{JIT(CC)}$	Cycle-to-cycle Jitter <sup>(10)</sup>		150	200		ps	
$t_{JIT(PER)}$	Period Jitter <sup>(11)</sup>			150		ps	
$t_{JIT(\varnothing)}$	I/O Phase Jitter RMS (1 $\sigma$ ) <sup>(12)</sup> $\div 4$ feedback $\div 6$ feedback $\div 8$ feedback $\div 10$ feedback $\div 12$ feedback $\div 16$ feedback $\div 20$ feedback $\div 24$ feedback $\div 32$ feedback $\div 40$ feedback			11 86 13 88 16 19 21 22 27 30		ps ps ps ps ps ps ps ps ps ps	(VCO=400 MHz)
BW	PLL closed loop bandwidth <sup>(13)</sup> $\div 4$ feedback $\div 6$ feedback $\div 8$ feedback $\div 10$ feedback $\div 12$ feedback $\div 16$ feedback $\div 20$ feedback $\div 24$ feedback $\div 32$ feedback $\div 40$ feedback		1.20 – 3.50 0.70 – 2.50 0.50 – 1.80 0.45 – 1.20 0.30 – 1.00 0.25 – 0.70 0.20 – 0.55 0.17 – 0.40 0.12 – 0.30 0.11 – 0.28			MHz MHz MHz MHz MHz MHz MHz MHz MHz MHz	
$t_{LOCK}$	Maximum PLL Lock Time			10		ms	

- AC characteristics apply for parallel output termination of  $50\ \Omega$  to  $V_{TT}$ .
- In bypass mode, the MPC9772 divides the input reference clock.
- The input reference frequency must match the VCO lock range divided by the total feedback divider ratio:  $f_{REF} = f_{VCO} \div (M \cdot \text{VCO\_SEL})$ .
- The crystal frequency range must both meet the interface frequency range and VCO lock range divided by the feedback divider ratio:  
 $f_{XTAL(\text{min, max})} = f_{VCO(\text{min, max})} \div (M \cdot \text{VCO\_SEL})$  and  $10\text{ MHz} \leq f_{XTAL} \leq 25\text{ MHz}$ .
- Calculation of reference duty cycle limits:  $DC_{REF,MIN} = t_{PW,MIN} \cdot f_{REF} \cdot 100\%$  and  $DC_{REF,MAX} = 100\% - DC_{REF,MIN}$ .
- The MPC9772 will operate with input rise/fall times up to 3.0 ns, but the A.C. characteristics, specifically  $t_{(\varnothing)}$ ,  $t_{PW,MIN}$ , DC and  $f_{MAX}$  can only be guaranteed if  $t_R, t_F$  are within the specified range.
- Static phase offset depends on the reference frequency.  $t_{(\varnothing)} [s] = t_{(\varnothing)} [^\circ] \div (f_{REF} \cdot 360^\circ)$ .
- Excluding QSYNC output. See application section for part-to-part skew calculation.
- Output duty cycle is  $DC = (0.5 \pm 200\text{ ps} \cdot f_{OUT}) \cdot 100\%$ . E.g. the DC range at  $f_{OUT} = 100\text{ MHz}$  is  $48\% < DC < 52\%$ . T = output period.
- Cycle jitter is valid for all outputs in the same divider configuration. See [Applications Information](#) section for more details.
- Period jitter is valid for all outputs in the same divider configuration. See [Applications Information](#) section for more details.
- I/O jitter is valid for a VCO frequency of 400 MHz. See [Applications Information](#) section for I/O jitter vs. VCO frequency.
- 3 dB point of PLL transfer characteristics.

APPLICATIONS INFORMATION

MPC9772 Configurations

Configuring the MPC9772 amounts to properly configuring the internal dividers to produce the desired output frequencies. The output frequency can be represented by this formula:



where  $f_{REF}$  is the reference frequency of the selected input clock source (CCLK0, CCLK1 or XTAL interface), M is the PLL feedback divider and N is a output divider. The PLL feedback divider is configured by the FSEL\_FB[2:0] and the output dividers are individually configured for each output bank by the FSEL\_A[1:0], FSEL\_B[1:0] and FSEL\_C[1:0] inputs.

The reference frequency  $f_{REF}$  and the selection of the feedback-divider M is limited by the specified VCO frequency range.  $f_{REF}$  and M must be configured to match the VCO frequency range of 200 to 480 MHz in order to achieve stable PLL operation:

$$f_{VCO,MIN} \leq (f_{REF} \cdot VCO\_SEL \cdot M) \leq f_{VCO,MAX}$$

The PLL post-divider VCO\_SEL is either a divide-by-one or a divide-by-two and can be used to situate the VCO into

the specified frequency range. This divider is controlled by the VCO\_SEL pin. VCO\_SEL effectively extends the usable input frequency range while it has no effect on the output to reference frequency ratio.

The output frequency for each bank can be derived from the VCO frequency and output divider:

$$f_{QA[0:3]} = f_{VCO} \div (VCO\_SEL \cdot N_A)$$

$$f_{QB[0:3]} = f_{VCO} \div (VCO\_SEL \cdot N_B)$$

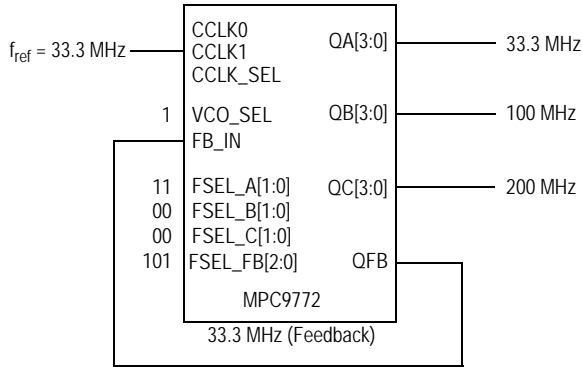
$$f_{QC[0:3]} = f_{VCO} \div (VCO\_SEL \cdot N_C)$$

Table 11. MPC9772 Divider

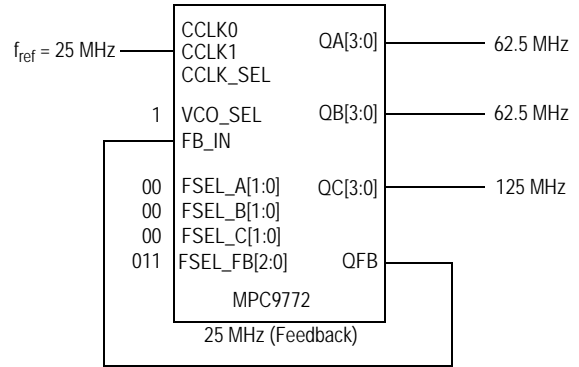
Divider	Function	VCO_SEL	Values
M	PLL feedback FSEL_FB[0:3]	÷1	4, 6, 8, 10, 12, 16
		÷2	8, 12, 16, 20, 24, 32, 40
N <sub>A</sub>	Bank A Output Divider FSEL_A[0:1]	÷1	4, 6, 8, 12
		÷2	8, 12, 16, 24
N <sub>B</sub>	Bank B Output Divider FSEL_B[0:1]	÷1	4, 6, 8, 10
		÷2	8, 12, 16, 20
N <sub>C</sub>	Bank C Output Divider FSEL_C[0:1]	÷1	2, 4, 6, 8
		÷2	4, 8, 12, 16

Table 11 shows the various PLL feedback and output dividers and Figure 3 and Figure 4 display example configurations for the MPC9772:





MPC9772 example configuration (feedback of QFB = 33.3 MHz,  $f_{VCO}=400$  MHz,  $VCO\_SEL=1$ ,  $M=12$ ,  $N_A=12$ ,  $N_B=4$ ,  $N_C=2$ ).



MPC9772 example configuration (feedback of QFB = 25 MHz,  $f_{VCO}=250$  MHz,  $VCO\_SEL=1$ ,  $M=10$ ,  $N_A=4$ ,  $N_B=4$ ,  $N_C=2$ ).

Frequency Range	$T_A = 0^\circ\text{C to }+70^\circ\text{C}$	$T_A = -40^\circ\text{C to }+85^\circ\text{C}$
Input	16.6 – 40 MHz	16.6 – 38.33 MHz
QA Outputs	16.6 – 40 MHz	16.6 – 38.33 MHz
QA Outputs	50 – 120 MHz	50 – 115 MHz
QC Outputs	100 – 240 MHz	100 – 230 MHz

Figure 3. Example Configuration

Frequency Range	$T_A = 0^\circ\text{C to }+70^\circ\text{C}$	$T_A = -40^\circ\text{C to }+85^\circ\text{C}$
Input	20 – 48 MHz	20 – 46 MHz
QA Outputs	50 – 120 MHz	50 – 115 MHz
QA Outputs	50 – 120 MHz	50 – 115 MHz
QC Outputs	100 – 240 MHz	100 – 230 MHz

Figure 4. Example Configuration

### MPC9772 Individual Output Disable (Clock Stop) Circuitry

The individual clock stop (output enable) control of the MPC9772 allows designers, under software control, to implement power management into the clock distribution design. A simple serial interface and a clock stop control logic provides a mechanism through which the MPC9772 clock outputs can be individually stopped in the logic '0' state: The clock stop mechanism allows serial loading of a 12-bit serial input register. This register contains one programmable clock stop bit for 12 of the 14 output clocks. The QC0 and QFB outputs cannot be stopped (disabled) with the serial port.

The user can program an output clock to stop (disable) by writing logic '0' to the respective stop enable bit. Likewise, the

user may programmably enable an output clock by writing logic '1' to the respective enable bit. The clock stop logic enables or disables clock outputs during the time when the output would be in normally in logic low state, eliminating the possibility of short or 'runt' clock pulses.

The user can write to the serial input register through the STOP\_DATA input by supplying a logic '0' start bit followed serially by 12 NRZ disable/enable bits. The period of each STOP\_DATA bit equals the period of the free-running STOP\_CLK signal. The STOP\_DATA serial transmission should be timed so the MPC9772 can sample each STOP\_DATA bit with the rising edge of the free-running STOP\_CLK signal. (See Figure 5.)

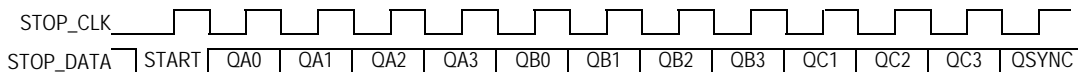


Figure 5. Clock Stop Circuit Programming

### SYNC Output Description

The MPC9772 has a system synchronization pulse output QSYNC. In configurations with the output frequency relationships are not integer multiples of each other QSYNC provides a signal for system synchronization purposes. The MPC9772 monitors the relationship between the A bank and the B bank of outputs. The QSYNC output is asserted (logic low) one period in duration and one period prior to the

coincident rising edges of the QA and QC outputs. The duration and the placement of the pulse is dependent QA and QC output frequencies: the QSYNC pulse width is equal to the period of the higher of the QA and QC output frequencies. Figure 6 shows various waveforms for the QSYNC output. The QSYNC output is defined for all possible combinations of the bank A and bank C outputs.

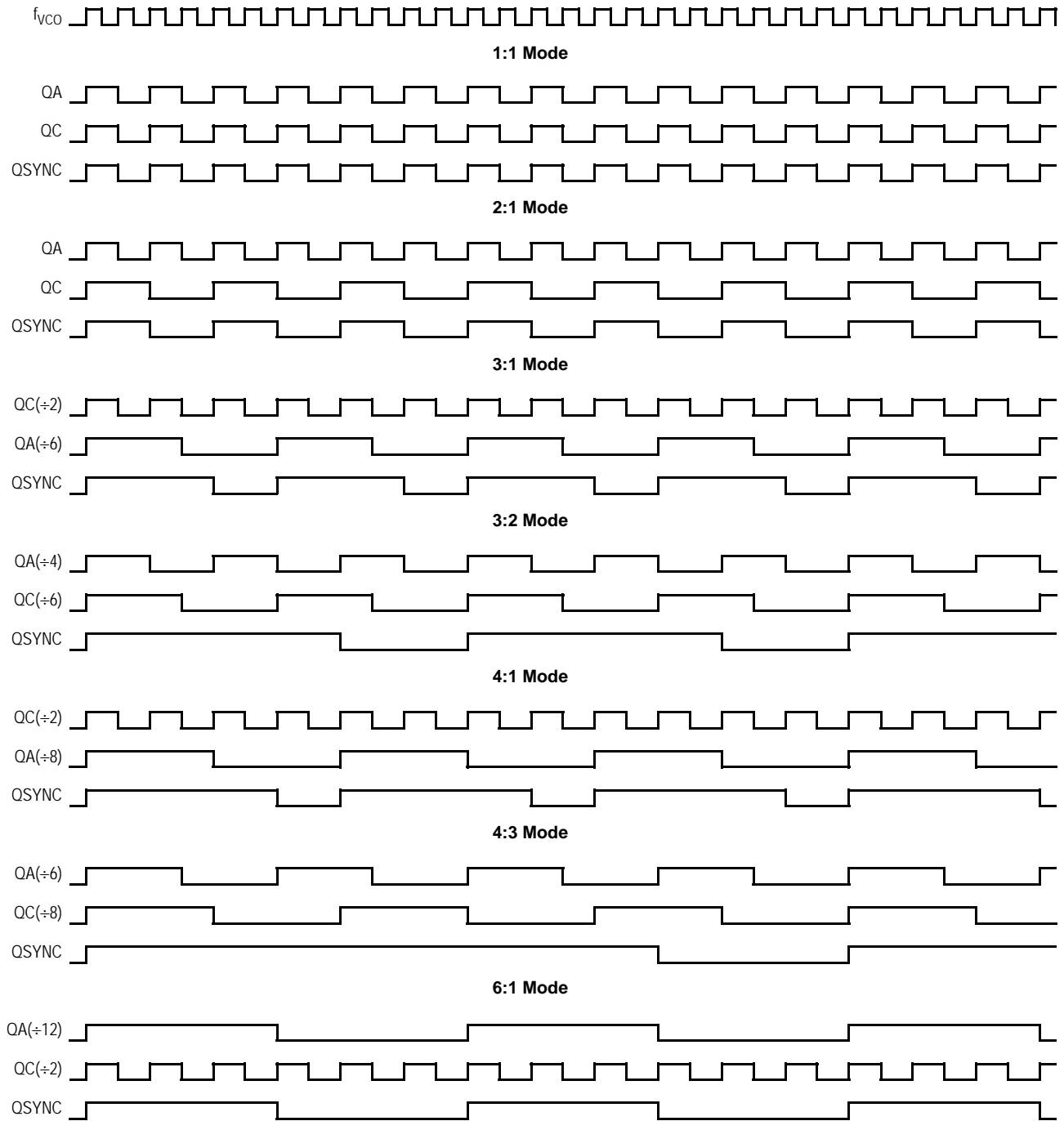
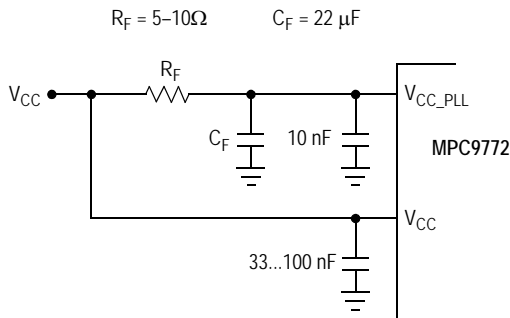


Figure 6. QSYNC Timing Diagram

**Power Supply Filtering**

The MPC9772 is a mixed analog/digital product. Its analog circuitry is naturally susceptible to random noise, especially if this noise is seen on the power supply pins. Random noise on the  $V_{CC\_PLL}$  power supply impacts the device characteristics, for instance I/O jitter. The MPC9772 provides separate power supplies for the output buffers ( $V_{CC}$ ) and the phase-locked loop ( $V_{CC\_PLL}$ ) of the device. The purpose of this design technique is to isolate the high switching noise digital outputs from the relatively sensitive internal analog phase-locked loop. In a digital system environment where it is more difficult to minimize noise on the power supplies a second level of isolation may be required. The simple but effective form of isolation is a power supply filter on the  $V_{CCA\_PLL}$  pin for the MPC9772. Figure 7 illustrates a typical power supply filter scheme. The MPC9772 frequency and phase stability is most susceptible to noise with spectral content in the 100 kHz to 20 MHz range. Therefore the filter should be designed to target this range. The key parameter that needs to be met in the final filter design is the DC voltage drop across the series filter resistor  $R_F$ . From the data sheet the  $I_{CC\_PLL}$  current (the current sourced through the  $V_{CC\_PLL}$  pin) is typically 3 mA (5 mA maximum), assuming that a minimum of 3.0 V must be maintained on the  $V_{CC\_PLL}$  pin. The resistor  $R_F$  shown in Figure 7 must have a resistance of 5-10  $\Omega$  to meet the voltage drop criteria.



**Figure 7.  $V_{CC\_PLL}$  Power Supply Filter**

The minimum values for  $R_F$  and the filter capacitor  $C_F$  are defined by the required filter characteristics: the RC filter should provide an attenuation greater than 40 dB for noise whose spectral content is above 100 kHz. In the example RC filter shown in Figure 7, the filter cut-off frequency is around 4.5 kHz and the noise attenuation at 100 kHz is better than 42 dB.

As the noise frequency crosses the series resonant point of an individual capacitor its overall impedance begins to look inductive and thus increases with increasing frequency. The parallel capacitor combination shown ensures that a low impedance path to ground exists for frequencies well above the bandwidth of the PLL. Although the MPC9772 has several design features to minimize the susceptibility to power supply noise (isolated power and grounds and fully differential PLL) there still may be applications in which overall performance is being degraded due to system power supply noise. The power supply filter schemes discussed in

this section should be adequate to eliminate power supply noise related problems in most designs.

**Using the MPC9772 in Zero-Delay Applications**

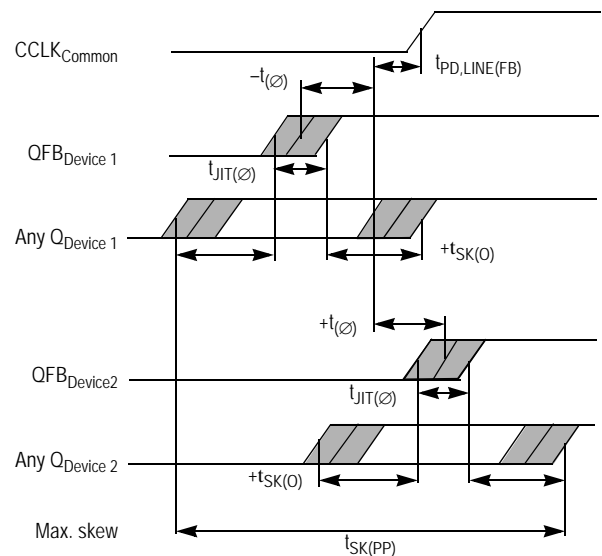
Nested clock trees are typical applications for the MPC9772. Designs using the MPC9772 as LVCMOS PLL fanout buffer with zero insertion delay will show significantly lower clock skew than clock distributions developed from CMOS fanout buffers. The external feedback option of the MPC9772 clock driver allows for its use as a zero delay buffer. The PLL aligns the feedback clock output edge with the clock input reference edge resulting a near zero delay through the device (the propagation delay through the device is virtually eliminated). The maximum insertion delay of the device in zero-delay applications is measured between the reference clock input and any output. This effective delay consists of the static phase offset, I/O jitter (phase or long-term jitter), feedback path delay and the output-to-output skew error relative to the feedback output.

**Calculation of Part-to-Part Skew**

The MPC9772 zero delay buffer supports applications where critical clock signal timing can be maintained across several devices. If the reference clock inputs of two or more MPC9772 are connected together, the maximum overall timing uncertainty from the common CCLKx input to any output is:

$$t_{SK(PP)} = t_{(\emptyset)} + t_{SK(O)} + t_{PD, LINE(FB)} + t_{JIT(\emptyset)} \cdot CF$$

This maximum timing uncertainty consist of 4 components: static phase offset, output skew, feedback board trace delay and I/O (phase) jitter:



**Figure 8. MPC9772 Maximum Device-to-Device Skew**

Due to the statistical nature of I/O jitter a RMS value ( $1\sigma$ ) is specified. I/O jitter numbers for other confidence factors (CF) can be derived from Table 12.

**Table 12. Confidence Factor CF**

CF	Probability of Clock Edge within the Distribution
$\pm 1\sigma$	0.68268948
$\pm 2\sigma$	0.95449988
$\pm 3\sigma$	0.99730007
$\pm 4\sigma$	0.99993663
$\pm 5\sigma$	0.99999943
$\pm 6\sigma$	0.99999999

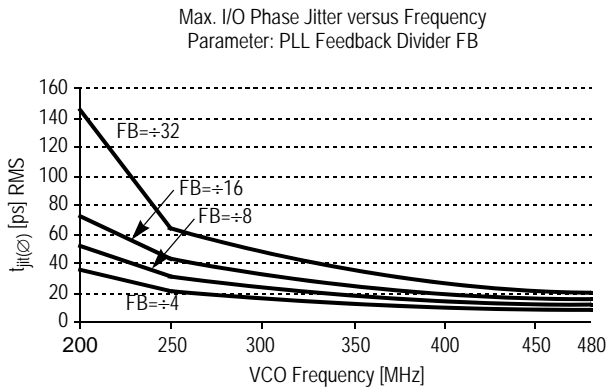
The feedback trace delay is determined by the board layout and can be used to fine-tune the effective delay through each device.

Due to the frequency dependence of the static phase offset and I/O jitter, using Figure 9 to Figure 11 to predict a maximum I/O jitter and the specified  $t_{j(\phi)}$  parameter relative to the input reference frequency results in a precise timing performance analysis.

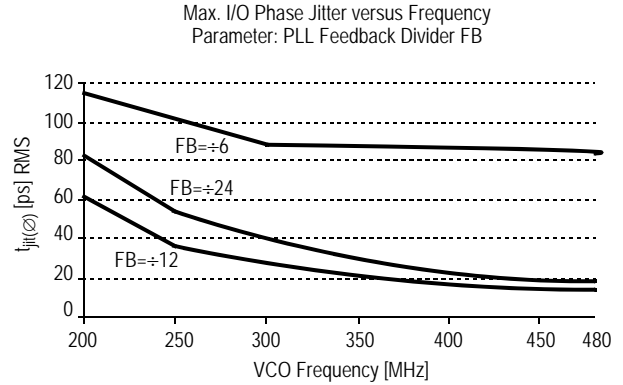
In the following example calculation an I/O jitter confidence factor of 99.7% ( $\pm 3\sigma$ ) is assumed, resulting in a worst case timing uncertainty from the common input reference clock to any output of  $-455\text{ ps}$  to  $+455\text{ ps}$  relative to CCLK (PLL feedback =  $\pm 8$ , reference frequency = 50 MHz, VCO frequency = 400 MHz, I/O jitter = 13 ps rms max., static phase offset  $t_{j(\phi)} = \pm 166\text{ ps}$ ):

$$t_{SK(PP)} = [-166\text{ps}...166\text{ps}] + [-250\text{ps}...250\text{ps}] + [(13\text{ps @ } -3)...(13\text{ps @ } 3)] + t_{PD, LINE(FB)}$$

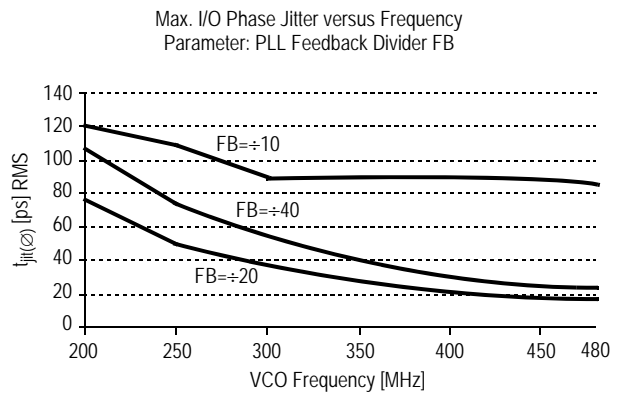
$$t_{SK(PP)} = [-455\text{ps}...455\text{ps}] + t_{PD, LINE(FB)}$$



**Figure 9. MPC9772 I/O Jitter**



**Figure 10. MPC9772 I/O Jitter**



**Figure 11. MPC9772 I/O Jitter**

### Driving Transmission Lines

The MPC9772 clock driver was designed to drive high speed signals in a terminated transmission line environment. To provide the optimum flexibility to the user the output drivers were designed to exhibit the lowest impedance possible. With an output impedance of less than  $20\ \Omega$  the drivers can drive either parallel or series terminated transmission lines. For more information on transmission lines the reader is referred to Freescale Semiconductor application note AN1091. In most high performance clock networks point-to-point distribution of signals is the method of choice. In a point-to-point scheme either series terminated or parallel terminated transmission lines can be used. The parallel technique terminates the signal at the end of the line with a  $50\ \Omega$  resistance to  $V_{CC}\div 2$ .

This technique draws a fairly high level of DC current and thus only a single terminated line can be driven by each output of the MPC9772 clock driver. For the series terminated case however there is no DC current draw, thus the outputs can drive multiple series terminated lines. Figure 12 illustrates an output driving a single series terminated line versus two series terminated lines in parallel. When taken to its extreme the fanout of the MPC9772 clock driver is effectively doubled due to its capability to drive multiple lines.

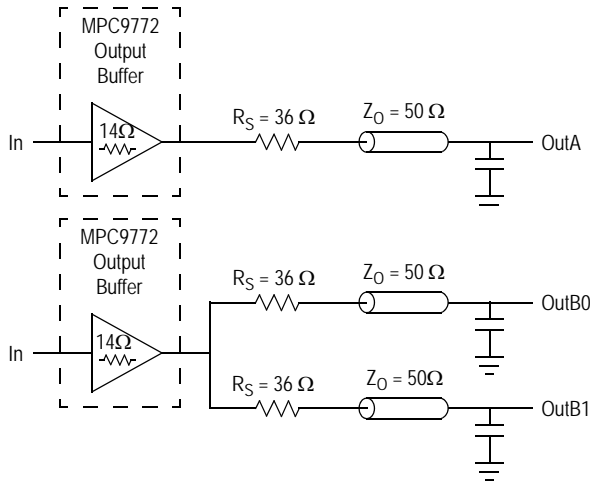


Figure 12. Single versus Dual Transmission Lines

The waveform plots in Figure 13 show the simulation results of an output driving a single line versus two lines. In both cases the drive capability of the MPC9772 output buffer is more than sufficient to drive 50 Ω transmission lines on the incident edge. Note from the delay measurements in the simulations a delta of only 43 ps exists between the two differently loaded outputs. This suggests the dual line driving need not be used exclusively to maintain the tight output-to-output skew of the MPC9772. The output waveform in Figure 13 shows a step in the waveform, this step is caused by the impedance mismatch seen looking into the driver. The parallel combination of the 36 Ω series resistor plus the output impedance does not match the parallel combination of the line impedances. The voltage wave launched down the two lines will equal:

$$V_L = V_S (Z_0 \div (R_S + R_0 + Z_0))$$

$$Z_0 = 50 \Omega \parallel 50 \Omega$$

$$R_S = 36 \Omega \parallel 36 \Omega$$

$$R_0 = 14 \Omega$$

$$V_L = 3.0 (25 \div (18 + 17 + 25))$$

$$= 1.31 \text{ V}$$

At the load end the voltage will double, due to the near unity reflection coefficient, to 2.6 V. It will then increment

towards the quiescent 3.0 V in steps separated by one round trip delay (in this case 4.0 ns).

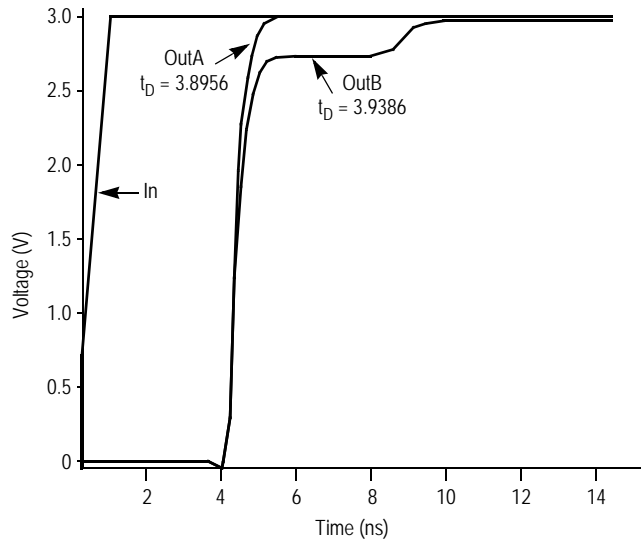


Figure 13. Single versus Dual Waveforms

Since this step is well above the threshold region it will not cause any false clock triggering, however designers may be uncomfortable with unwanted reflections on the line. To better match the impedances when driving multiple lines the situation in Figure 14 should be used. In this case the series terminating resistors are reduced such that when the parallel combination is added to the output buffer impedance the line impedance is perfectly matched.

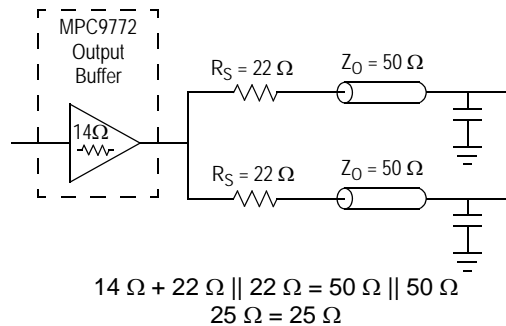


Figure 14. Optimized Dual Line Termination

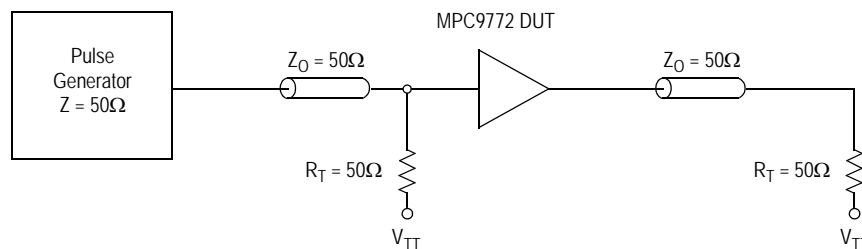
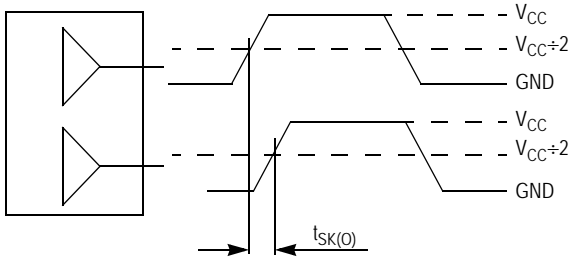
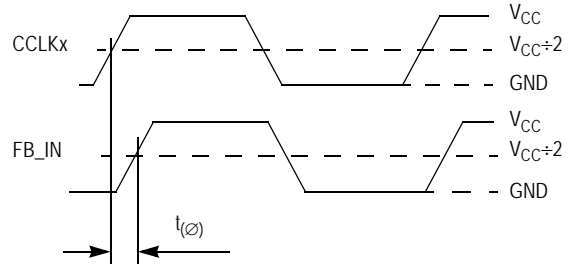


Figure 15. CCLK MPC9772 AC Test Reference

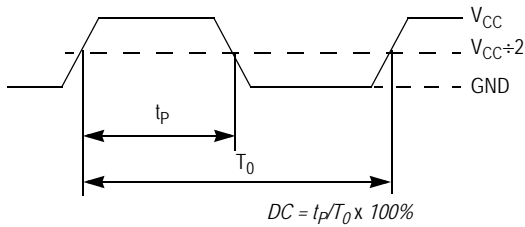


The pin-to-pin skew is defined as the worst case difference in propagation delay between any similar delay path within a single device

**Figure 16. Output-to-Output Skew  $t_{SK(O)}$**

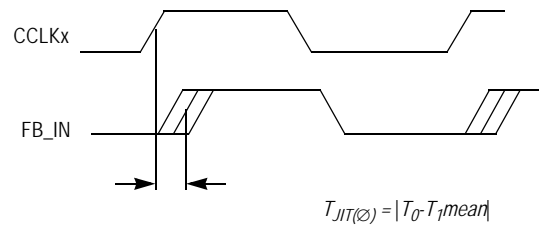


**Figure 17. Propagation Delay ( $t_{(\phi)}$ , Static Phase Offset) Test Reference**



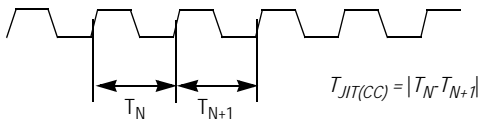
The time from the PLL controlled edge to the non controlled edge, divided by the time between PLL controlled edges, expressed as a percentage

**Figure 18. Output Duty Cycle (DC)**



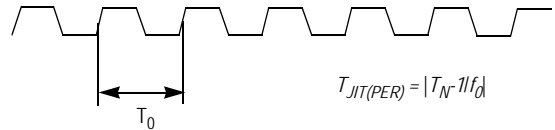
The deviation in  $t_0$  for a controlled edge with respect to a  $t_0$  mean in a random sample of cycles

**Figure 19. I/O Jitter**



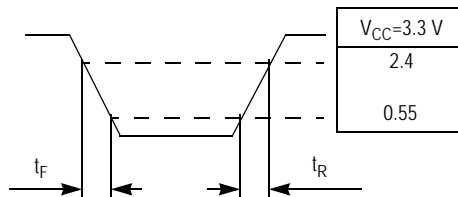
The variation in cycle time of a signal between adjacent cycles, over a random sample of adjacent cycle pairs

**Figure 20. Cycle-to-Cycle Jitter**

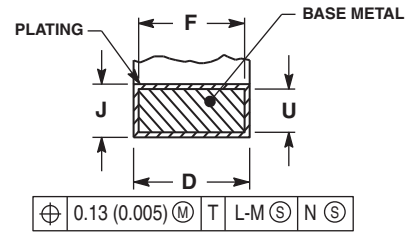
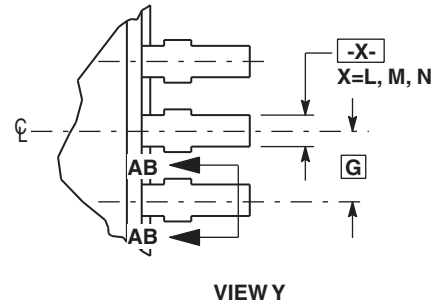
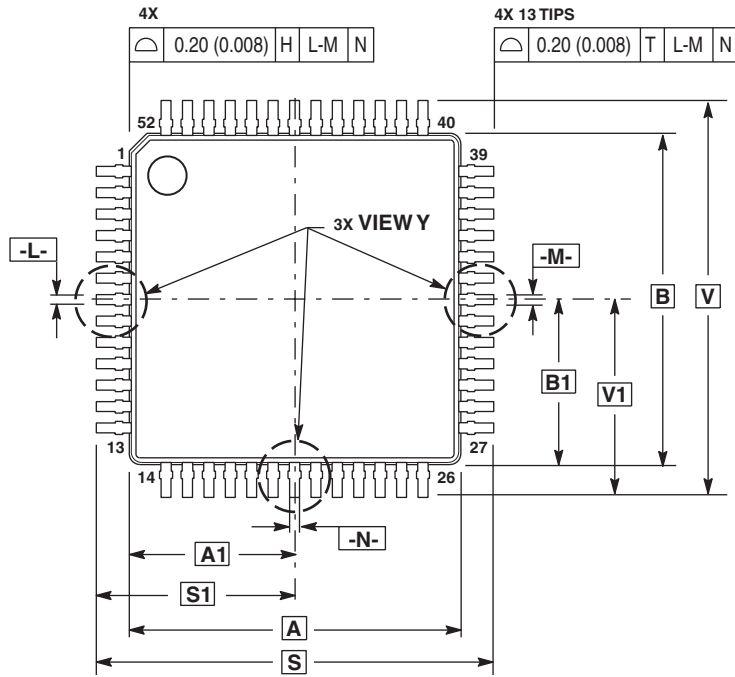


The deviation in cycle time of a signal with respect to the ideal period over a random sample of cycles

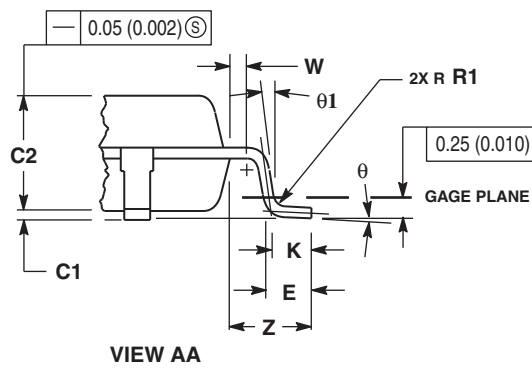
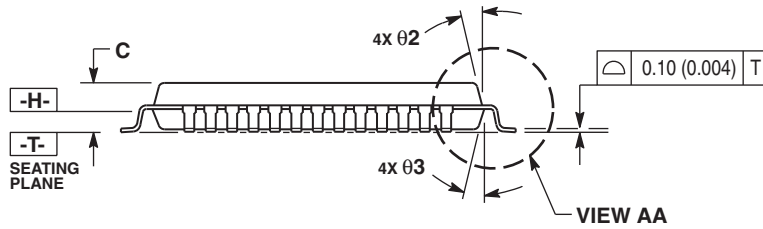
**Figure 21. Period Jitter**



**Figure 22. Output Transition Time Test Reference**



SECTION AB-AB  
ROTATED 90° CLOCKWISE



NOTES:

1. CONTROLLING DIMENSIONS: MILLIMETER.
2. DIMENSIONING AND TOLERANCING PER ANSI Y14.5M, 1982.
3. DATUM PLANE -H- IS LOCATED AT BOTTOM OF LEAD AND IS COINCIDENT WITH THE LEAD WHERE THE LEAD EXITS THE PLASTIC BODY AT THE BOTTOM OF THE PARTING LINE.
4. DATUMS -L-, -M- AND -N- TO BE DETERMINED AT DATUM PLANE -H-.
5. DIMENSIONS S AND V TO BE DETERMINED AT SEATING PLANE -T-.
6. DIMENSIONS A AND B DO NOT INCLUDE MOLD PROTRUSION. ALLOWABLE PROTRUSION IS 0.25 (0.010) PER SIDE. DIMENSIONS A AND B DO INCLUDE MOLD MISMATCH AND ARE DETERMINED AT DATUM PLANE -H-.
7. DIMENSION D DOES NOT INCLUDE DAMBAR PROTRUSION. DAMBAR PROTRUSION SHALL NOT CAUSE THE LEAD WIDTH TO EXCEED 0.46 (0.018). MINIMUM SPACE BETWEEN PROTRUSION AND ADJACENT LEAD OR PROTRUSION 0.07 (0.003).

DIM	MILLIMETERS		INCHES	
	MIN	MAX	MIN	MAX
A	10.00	BSC	0.394	BSC
A1	5.00	BSC	0.197	BSC
B	10.00	BSC	0.394	BSC
B1	5.00	BSC	0.197	BSC
C	---	1.70	---	0.067
C1	0.05	0.20	0.002	0.008
C2	1.30	1.50	0.051	0.059
D	0.20	0.40	0.008	0.016
E	0.45	0.75	0.018	0.030
F	0.22	0.35	0.009	0.014
G	0.65	BSC	0.026	BSC
J	0.07	0.20	0.003	0.008
K	0.50	REF	0.020	REF
R1	0.08	0.20	0.003	0.008
S	12.00	BSC	0.472	BSC
S1	6.00	BSC	0.236	BSC
U	0.09	0.16	0.004	0.006
V	12.00	BSC	0.472	BSC
V1	6.00	BSC	0.236	BSC
W	0.20	REF	0.008	REF
Z	1.00	REF	0.039	REF
θ	0°	7°	0°	7°
θ1	0°	---	0°	---
θ2	12°	REF	12°	REF
θ3	12°	REF	12°	REF

CASE 848D-03  
ISSUE D  
52-LEAD LQFP PACKAGE

## Revision History Sheet

<b>Rev</b>	<b>Table</b>	<b>Page</b>	<b>Description of Change</b>	<b>Date</b>
7		1	NRND – Not Recommend for New Designs	1/8/13
8			Removed NRND and updated data sheet format	3/18/15
8		1	Product Discontinuation Notice - Last time buy expires September 7, 2016. PDN N-16-02	3/16/16





## IMPORTANT NOTICE AND DISCLAIMER

RENESAS ELECTRONICS CORPORATION AND ITS SUBSIDIARIES (“RENESAS”) PROVIDES TECHNICAL SPECIFICATIONS AND RELIABILITY DATA (INCLUDING DATASHEETS), DESIGN RESOURCES (INCLUDING REFERENCE DESIGNS), APPLICATION OR OTHER DESIGN ADVICE, WEB TOOLS, SAFETY INFORMATION, AND OTHER RESOURCES “AS IS” AND WITH ALL FAULTS, AND DISCLAIMS ALL WARRANTIES, EXPRESS OR IMPLIED, INCLUDING, WITHOUT LIMITATION, ANY IMPLIED WARRANTIES OF MERCHANTABILITY, FITNESS FOR A PARTICULAR PURPOSE, OR NON-INFRINGEMENT OF THIRD PARTY INTELLECTUAL PROPERTY RIGHTS.

These resources are intended for developers skilled in the art designing with Renesas products. You are solely responsible for (1) selecting the appropriate products for your application, (2) designing, validating, and testing your application, and (3) ensuring your application meets applicable standards, and any other safety, security, or other requirements. These resources are subject to change without notice. Renesas grants you permission to use these resources only for development of an application that uses Renesas products. Other reproduction or use of these resources is strictly prohibited. No license is granted to any other Renesas intellectual property or to any third party intellectual property. Renesas disclaims responsibility for, and you will fully indemnify Renesas and its representatives against, any claims, damages, costs, losses, or liabilities arising out of your use of these resources. Renesas' products are provided only subject to Renesas' Terms and Conditions of Sale or other applicable terms agreed to in writing. No use of any Renesas resources expands or otherwise alters any applicable warranties or warranty disclaimers for these products.

(Rev.1.0 Mar 2020)

### Corporate Headquarters

TOYOSU FORESIA, 3-2-24 Toyosu,  
Koto-ku, Tokyo 135-0061, Japan  
[www.renesas.com](http://www.renesas.com)

### Contact Information

For further information on a product, technology, the most up-to-date version of a document, or your nearest sales office, please visit:  
[www.renesas.com/contact/](http://www.renesas.com/contact/)

### Trademarks

Renesas and the Renesas logo are trademarks of Renesas Electronics Corporation. All trademarks and registered trademarks are the property of their respective owners.