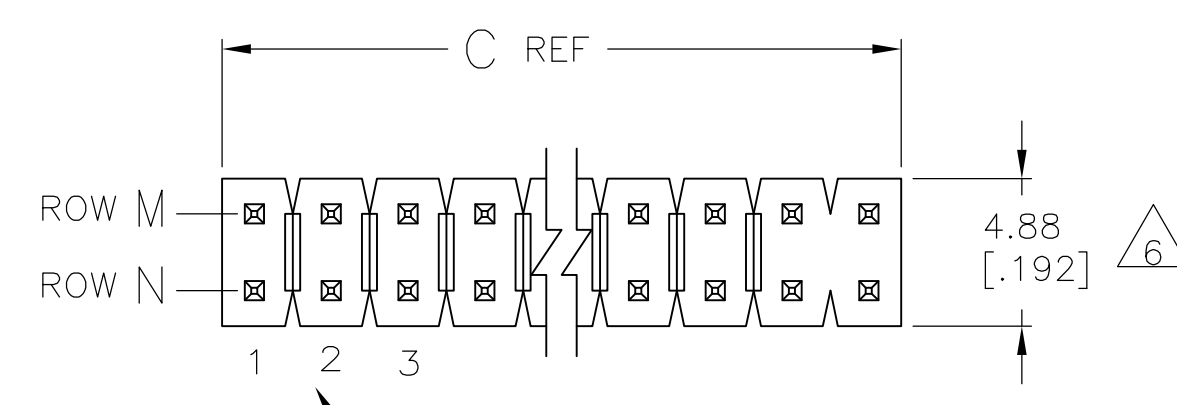
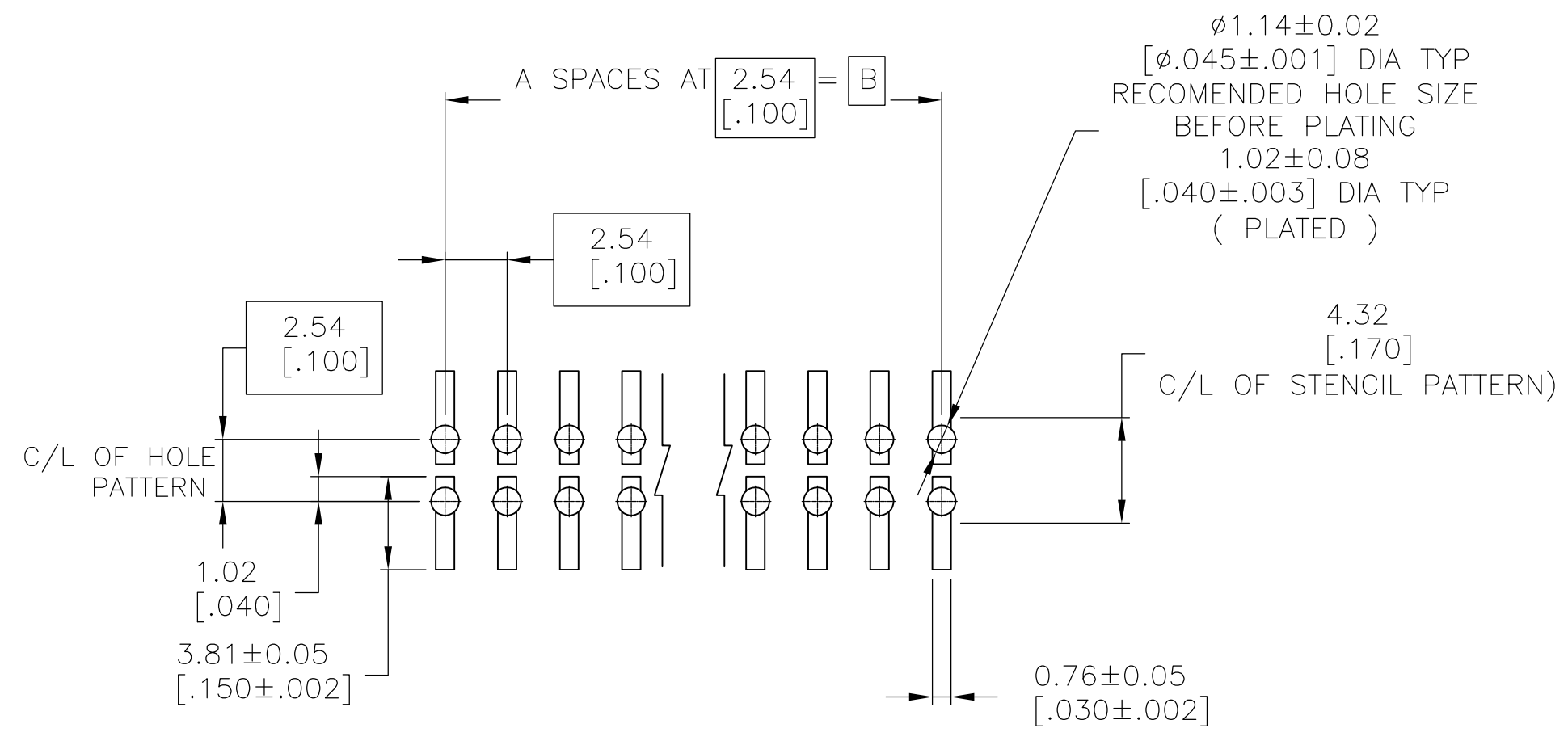
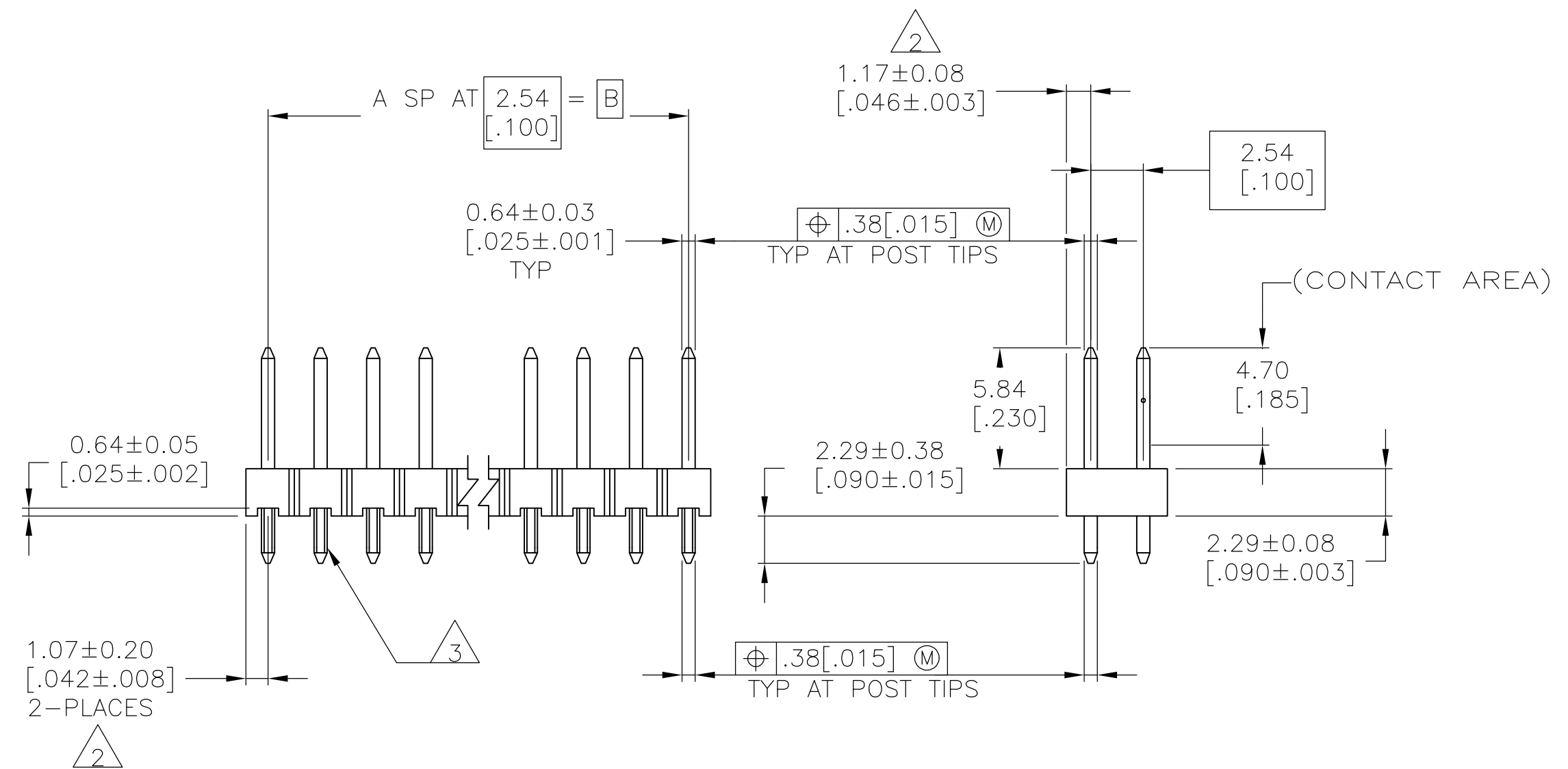


- TRUE POSITION TOLERANCE OF THE POST TIPS APPLIES WHEN THE HEADER IS HELD FLAT AGAINST THE PRINTED CIRCUIT BOARD.
- THE NOTED DIMENSIONS APPLY AT THE INTERSECTION OF THE POST AND HOUSING.
- RETENTION FEATURES ON SOLDER TAILS, LOCATED AT MANUFACTURERS OPTION.
- HOUSING: LCP, COLOR-BLACK. POST: COPPER ALLOY.
- 0.000127 [.000005] GOLD IN CONTACT AREA, 0.00254-0.00508 [.0000100-.0000200] MATTE TIN-LEAD ON SOLDER TAIL, ALL OVER 0.00127 [.000050] NICKEL.
- THIS DIMENSION WILL BE 4.67[.184] FOR THE 2 POSITION CONFIGURATION
- 0.000127 [.000005] GOLD IN CONTACT AREA, 0.00254-0.00508 [.0000100-.0000200] MATTE TIN ON SOLDER TAIL, ALL OVER 0.00127 [.000050] NICKEL.
- OBSOLETE PARTS: OBSOLETE CIS STREAMLINING PER D.RENAUD/D.SINISI



POST NO REF (SEE TABLE)



RECOMMENDED PC BOARD MOUNTING DIMENSIONS FOR .063 [.160] THICK PC BOARD AND .012 [.305] STENCIL THICK.

| PLATING | C | B | A | NO. OF POSITIONS | PART NUMBER | PLATING | C | B | A | NO. OF POSITIONS | PART NUMBER |
|---------|--------|-------|----|------------------|-------------|---------|--------|-------|----|------------------|-------------|
| 7 | 101.19 | 99.06 | 39 | 80 | 9-146271-0 | 5 | 101.19 | 99.06 | 39 | 80 | 4-146271-0 |
| 7 | 98.65 | 96.52 | 38 | 78 | 8-146271-9 | 5 | 98.65 | 96.52 | 38 | 78 | 3-146271-9 |
| 7 | 96.11 | 93.98 | 37 | 76 | 8-146271-8 | 5 | 96.11 | 93.98 | 37 | 76 | 3-146271-8 |
| 7 | 93.57 | 91.44 | 36 | 74 | 8-146271-7 | 5 | 93.57 | 91.44 | 36 | 74 | 3-146271-7 |
| 7 | 91.03 | 88.90 | 35 | 72 | 8-146271-6 | 5 | 91.03 | 88.90 | 35 | 72 | 3-146271-6 |
| 7 | 88.49 | 86.36 | 34 | 70 | 8-146271-5 | 5 | 88.49 | 86.36 | 34 | 70 | 3-146271-5 |
| 7 | 85.95 | 83.82 | 33 | 68 | 8-146271-4 | 5 | 85.95 | 83.82 | 33 | 68 | 3-146271-4 |
| 7 | 83.41 | 81.28 | 32 | 66 | 8-146271-3 | 5 | 83.41 | 81.28 | 32 | 66 | 3-146271-3 |
| 7 | 80.87 | 78.74 | 31 | 64 | 8-146271-2 | 5 | 80.87 | 78.74 | 31 | 64 | 3-146271-2 |
| 7 | 78.33 | 76.20 | 30 | 62 | 8-146271-1 | 5 | 78.33 | 76.20 | 30 | 62 | 3-146271-1 |
| 7 | 75.79 | 73.66 | 29 | 60 | 8-146271-0 | 5 | 75.79 | 73.66 | 29 | 60 | 3-146271-0 |
| 7 | 73.25 | 71.12 | 28 | 58 | 7-146271-9 | 5 | 73.25 | 71.12 | 28 | 58 | 2-146271-9 |
| 7 | 70.71 | 68.58 | 27 | 56 | 7-146271-8 | 5 | 70.71 | 68.58 | 27 | 56 | 2-146271-8 |
| 7 | 68.17 | 66.04 | 26 | 54 | 7-146271-7 | 5 | 68.17 | 66.04 | 26 | 54 | 2-146271-7 |
| 7 | 65.63 | 63.5 | 25 | 52 | 7-146271-6 | 5 | 65.63 | 63.5 | 25 | 52 | 2-146271-6 |
| 7 | 63.09 | 60.96 | 24 | 50 | 7-146271-5 | 5 | 63.09 | 60.96 | 24 | 50 | 2-146271-5 |
| 7 | 60.55 | 58.42 | 23 | 48 | 7-146271-4 | 5 | 60.55 | 58.42 | 23 | 48 | 2-146271-4 |
| 7 | 58.01 | 55.88 | 22 | 46 | 7-146271-3 | 5 | 58.01 | 55.88 | 22 | 46 | 2-146271-3 |
| 7 | 55.47 | 53.34 | 21 | 44 | 7-146271-2 | 5 | 55.47 | 53.34 | 21 | 44 | 2-146271-2 |
| 7 | 52.93 | 50.80 | 20 | 42 | 7-146271-1 | 5 | 52.93 | 50.80 | 20 | 42 | 2-146271-1 |
| 7 | 50.39 | 48.26 | 19 | 40 | 7-146271-0 | 5 | 50.39 | 48.26 | 19 | 40 | 2-146271-0 |
| 7 | 47.85 | 45.72 | 18 | 38 | 6-146271-9 | 5 | 47.85 | 45.72 | 18 | 38 | 1-146271-9 |
| 7 | 45.31 | 43.18 | 17 | 36 | 6-146271-8 | 5 | 45.31 | 43.18 | 17 | 36 | 1-146271-8 |
| 7 | 42.77 | 40.64 | 16 | 34 | 6-146271-7 | 5 | 42.77 | 40.64 | 16 | 34 | 1-146271-7 |
| 7 | 40.23 | 38.10 | 15 | 32 | 6-146271-6 | 5 | 40.23 | 38.10 | 15 | 32 | 1-146271-6 |
| 7 | 37.69 | 35.56 | 14 | 30 | 6-146271-5 | 5 | 37.69 | 35.56 | 14 | 30 | 1-146271-5 |
| 7 | 35.15 | 33.02 | 13 | 28 | 6-146271-4 | 5 | 35.15 | 33.02 | 13 | 28 | 1-146271-4 |
| 7 | 32.61 | 30.48 | 12 | 26 | 6-146271-3 | 5 | 32.61 | 30.48 | 12 | 26 | 1-146271-3 |
| 7 | 30.07 | 27.94 | 11 | 24 | 6-146271-2 | 5 | 30.07 | 27.94 | 11 | 24 | 1-146271-2 |
| 7 | 27.53 | 25.40 | 10 | 22 | 6-146271-1 | 5 | 27.53 | 25.40 | 10 | 22 | 1-146271-1 |
| 7 | 24.99 | 22.86 | 9 | 20 | 6-146271-0 | 5 | 24.99 | 22.86 | 9 | 20 | 1-146271-0 |
| 7 | 22.45 | 20.32 | 8 | 18 | 5-146271-9 | 5 | 22.45 | 20.32 | 8 | 18 | 146271-9 |
| 7 | 19.91 | 17.78 | 7 | 16 | 5-146271-8 | 5 | 19.91 | 17.78 | 7 | 16 | 146271-8 |
| 7 | 17.37 | 15.24 | 6 | 14 | 5-146271-7 | 5 | 17.37 | 15.24 | 6 | 14 | 146271-7 |
| 7 | 14.83 | 12.70 | 5 | 12 | 5-146271-6 | 5 | 14.83 | 12.70 | 5 | 12 | 146271-6 |
| 7 | 12.29 | 10.16 | 4 | 10 | 5-146271-5 | 5 | 12.29 | 10.16 | 4 | 10 | 146271-5 |
| 7 | 9.75 | 7.62 | 3 | 8 | 5-146271-4 | 5 | 9.75 | 7.62 | 3 | 8 | 146271-4 |
| 7 | 7.21 | 5.08 | 2 | 6 | 5-146271-3 | 5 | 7.21 | 5.08 | 2 | 6 | 146271-3 |
| 7 | 4.67 | 2.54 | 1 | 4 | 5-146271-2 | 5 | 4.67 | 2.54 | 1 | 4 | 146271-2 |
| 7 | 2.13 | 1.00 | - | 2 | 5-146271-1 | 5 | 2.13 | 1.00 | - | 2 | 146271-1 |
| 7 | -.092 | - | - | - | - | 5 | -.092 | - | - | - | - |

OBSOLETE

OBSOLETE

THIS DRAWING IS A CONTROLLED DOCUMENT.

| | |
|--------------------------|---|
| DIN T. HOFFMAN 8-5-95 | TE Connectivity |
| CHK G. DUBNICZKI 4-3-96 | |
| APPV G. DUBNICZKI 4-3-96 | NAME: HEADER ASSEMBLY, MOD II, BREAKAWAY, DOUBLE ROW, .100 X.100 C/L, VERTICAL, WITH RETENTION FEATURE, .025 SQ.POSTS, HIGH TEMPERATURE |
| PRODUCT SPEC | APPLICATION SPEC |
| SIZE: A1 | CAGE CODE: 00779 |
| WEIGHT: - | DRAWING NO: 146271 |
| CUSTOMER DRAWING | SCALE: 4:1 SHEET 1 OF 1 REV K |

Mouser Electronics

Authorized Distributor

Click to View Pricing, Inventory, Delivery & Lifecycle Information:

[TE Connectivity:](#)

[9-146271-0](#)