

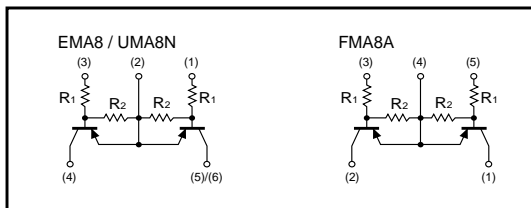
# Emitter common (dual digital transistors)

## EMA8 / UMA8N / FMA8A

●Features

1) Two DTA114Y chips in a EMT or UMT or SMT package.

●Equivalent circuit



●Package, marking, and packaging specifications

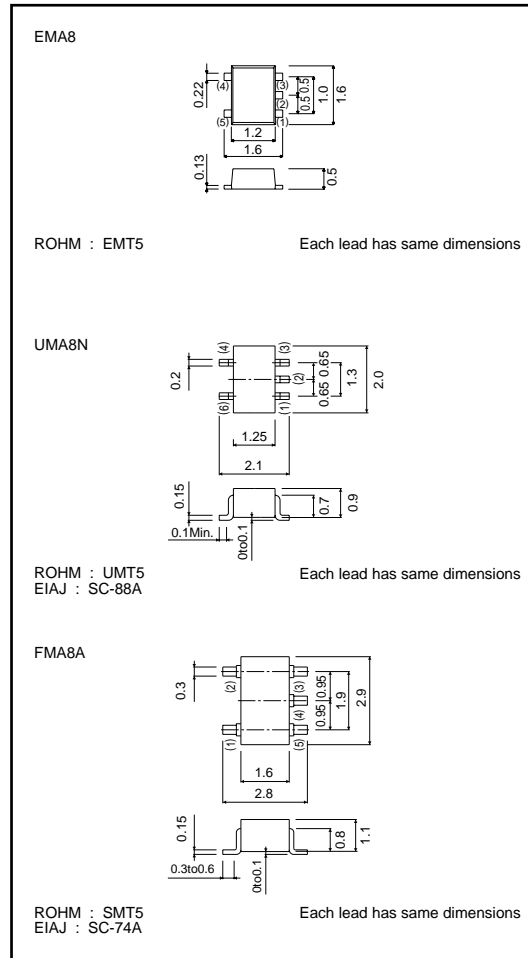
Type	EMA8	UMA8N	FMA8A
Package	EMT5	UMT5	SMT5
Marking	A8	A8	A8
Code	T2R	TR	T148
Basic ordering unit (pieces)	8000	3000	3000

●Absolute maximum ratings (Ta = 25°C)

Parameter	Symbol	Limits	Unit
Supply voltage	V <sub>CC</sub>	-50	V
Input voltage	V <sub>IN</sub>	-40	V
		6	
Output current	I <sub>O</sub>	-100	mA
Power dissipation	P <sub>d</sub>	300(TOTAL)	mW *
Storage temperature	T <sub>stg</sub>	-50~+150	°C

\*200mW per element must not be exceeded.

●External dimensions (Units : mm)



●Electrical characteristics (Ta = 25°C)

Parameter	Symbol	Min.	Typ.	Max.	Unit	Conditions
Input voltage	V <sub>I (off)</sub>	-	-	-0.3	V	V <sub>CC</sub> =-5V, I <sub>O</sub> =-100μA
	V <sub>I (on)</sub>	-1.4	-	-		V <sub>O</sub> =-0.3V, I <sub>O</sub> =-1mA
Output voltage	V <sub>O (on)</sub>	-	-0.1	-0.3	V	I <sub>O</sub> =-10mA, I <sub>I</sub> =-0.5mA
Input current	I <sub>I</sub>	-	-	-0.88	mA	V <sub>I</sub> =-5V
Output current	I <sub>O (off)</sub>	-	-	-0.5	μA	V <sub>CC</sub> =-50V, V <sub>I</sub> =0V
DC current gain	G <sub>I</sub>	68	-	-	-	I <sub>O</sub> =-5mA, V <sub>O</sub> =-5V
Input resistance	R <sub>1</sub>	-	10	-	kΩ	-
Resistance ratio	R <sub>2</sub> /R <sub>1</sub>	3.7	4.7	5.7	-	-

# Mouser Electronics

Authorized Distributor

Click to View Pricing, Inventory, Delivery & Lifecycle Information:

[ROHM Semiconductor:](#)

[EMA8T2R](#)