

# Housing - HC-B 24-TFQ-N-O1STM32G - 1460222

Please be informed that the data shown in this PDF Document is generated from our Online Catalog. Please find the complete data in the user's documentation. Our General Terms of Use for Downloads are valid (<http://phoenixcontact.com/download>)



HEAVYCON B24 sleeve housing, for double locking latch, height: 65 mm, with 1 x M32 thread, straight cable outlet



## Key Commercial Data

Packing unit	10 pc
GTIN	
GTIN	4046356696487

## Technical data

### Dimensions

Height	65 mm
Width	43 mm
Length	120 mm

### Ambient conditions

Degree of protection of housing (IP)	IP65
Ambient temperature (operation)	-40 °C ... 125 °C

### General

Note	For contact inserts HC-B24, BB46, BBB64, D64, DD108, M
Size	B24
Housing type	Sleeve housing
Locking type	for double locking latch
No. of cable outlets	1
Cable outlet	straight
Screw connection	none
Type of the screw connection	1x M32
Housing material	Aluminum die-cast
Housing surface material	Powder-coated, gray

# Housing - HC-B 24-TFQ-N-O1STM32G - 1460222

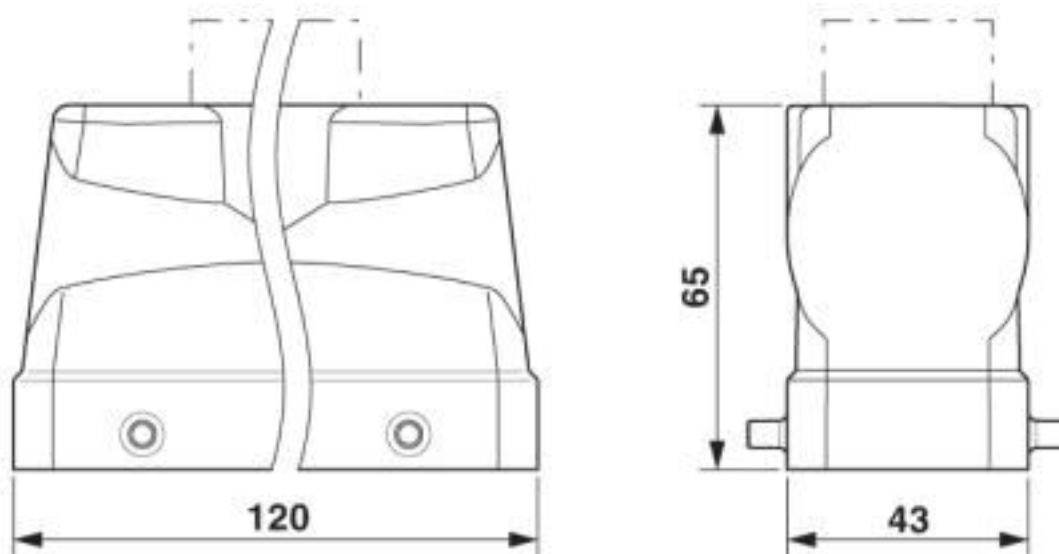
## Technical data

### Environmental Product Compliance

China RoHS	Environmentally friendly use period: unlimited = EFUP-e
	No hazardous substances above threshold values

## Drawings

Dimensional drawing



Dimensional drawing

## Classifications

### eCl@ss

eCl@ss 10.0.1	27440202
eCl@ss 4.0	27140800
eCl@ss 4.1	27140800
eCl@ss 5.0	27143400
eCl@ss 5.1	27261200
eCl@ss 6.0	27261200
eCl@ss 7.0	27440202
eCl@ss 8.0	27440202
eCl@ss 9.0	27440202

### ETIM

ETIM 3.0	EC000437
ETIM 4.0	EC000437
ETIM 5.0	EC000437
ETIM 6.0	EC000437

# Housing - HC-B 24-TFQ-N-O1STM32G - 1460222

## Classifications

### ETIM

ETIM 7.0	EC000437
----------	----------

### UNSPSC

UNSPSC 6.01	31261502
UNSPSC 7.0901	31261502
UNSPSC 11	31261502
UNSPSC 12.01	31261502
UNSPSC 13.2	31261501
UNSPSC 18.0	31261501
UNSPSC 19.0	31261501
UNSPSC 20.0	31261501
UNSPSC 21.0	31261501

## Approvals

### Approvals

---

Approvals

EAC

---

Ex Approvals

---

### Approval details

EAC		RU C- DE.AI30.B.01102
-----	--	--------------------------

## Accessories

### Accessories

#### Extension adapter

Extension adapter - ENLAR-M-KV-M32/M40 - 1647682



Step-up adapter, M32 to M40, including O-ring

### Full screw connection

## Housing - HC-B 24-TFQ-N-O1STM32G - 1460222

### Accessories

Cable gland - G-INS-M32-M68N-PNES-GY - 1411127



Cable gland, cable gland material: PA, external cable diameter 15 mm ... 21 mm, shielding: no, connecting thread: M32 x 1.5, color: silver-gray RAL 7001

---

Cable gland - G-INS-M32-M68N-PNES-BK - 1411136



Cable gland, cable gland material: PA, external cable diameter 15 mm ... 21 mm, shielding: no, connecting thread: M32 x 1.5, color: jet black RAL 9005

---

Cable gland - G-INS-M32-M68N-NNES-S - 1411166



Cable gland, cable gland material: Nickel-plated brass, external cable diameter 15 mm ... 21 mm, shielding: no, connecting thread: M32 x 1.5, color: silver, with O-ring

---

Cable gland - HC-M-KV-M32(19-27) - 1646010



Metal screw connection up to 5 bar, thread length: 8 mm, cable diameter: 19 - 27 mm, WAF 43, screw connection: M32

---

Cable gland - G-INSEC-M32-M68N-NCRS-S - 1411191



Cable gland, cable gland material: Nickel-plated brass, external cable diameter 14 mm ... 21 mm, shielding: yes, connecting thread: M32 x 1.5, color: silver, with O-ring

---

## Housing - HC-B 24-TFQ-N-O1STM32G - 1460222

### Accessories

Cable gland - HC-M-KV-Z-M32 - 1646162



Metal screw connection with strain relief clamp, thread length: 8 mm, cable sealing area: 18 - 27 mm, clamping area: 19 - 30 mm, SW 40, screw connection: M32

---

Cable gland - HC-M-KV-T-M32 - 1646201



Metal screw connection with cable bend protection and strain relief, thread length: 8 mm, cable sealing area: 18 - 27 mm, clamping area: 20 - 30 mm, SW 40, screw connection: M32

---

### Plug for cable screw gland

Screw plug - HC-M-BS-M32 - 1645862



Screw plug, cable gland material: Nickel-plated brass, connecting thread: M32 x 1.5, color: silver

---

### Reducing adapter

Reducing adapter - REDUC-M-KV-M32/M25 - 1647637



Reducing adapter, material: Brass, nickel-plated, connecting thread: M32 x 1.5, color: silver, with O-ring

---