

PART
NAME

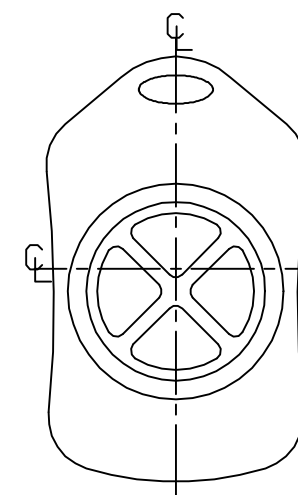
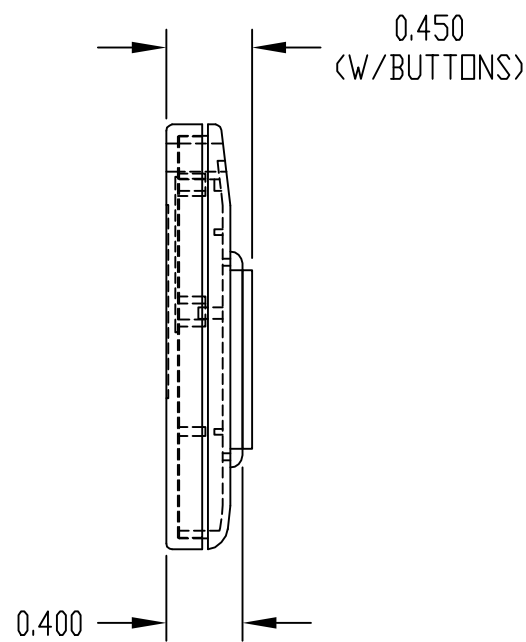
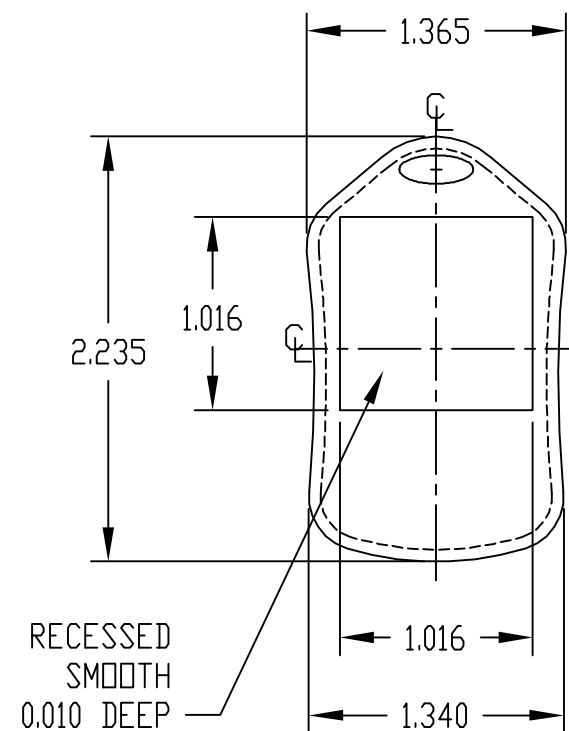
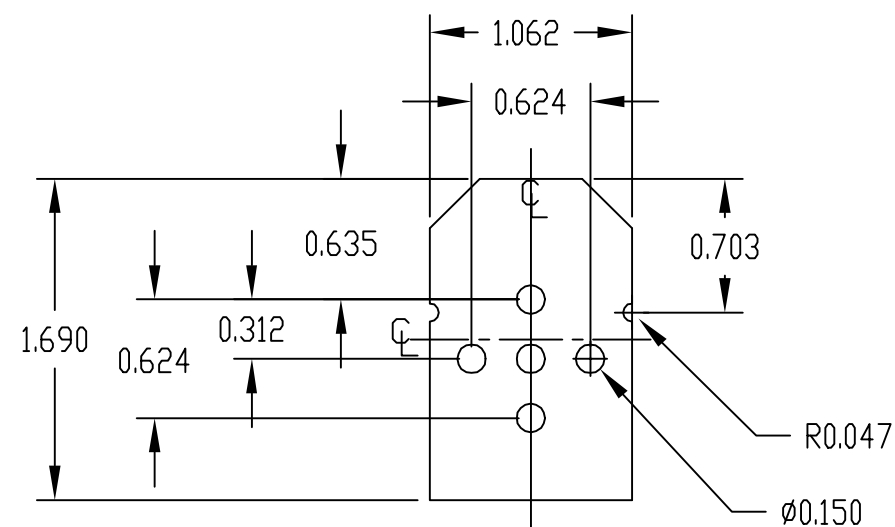
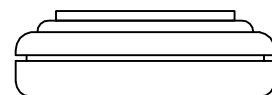
4-BUTTON GRABBER

PART
No.

HH-3494

REV.
DATE

10-29-08



NOTE:

- 1) MATERIAL: BODY & COVER - ABS (UL94-HB)
BUTTON - ABS & SILICONE RUBBER
- 2) FINISH: BODY & COVER - TEXTURED
BUTTON - SMOOTH
- 3) COLOR: BODY & COVER - BLACK
BUTTON - GRAY
- 4) PC BOARD IS NOT INCLUDED. TO BE FURNISHED BY CUSTOMER.
- 5) ALL DIMENSIONS HAVE ±0.010 TOLERANCE UNLESS OTHERWISE SPECIFIED.

Mouser Electronics

Authorized Distributor

Click to View Pricing, Inventory, Delivery & Lifecycle Information:

[Bud Industries:](#)

[HH-3494](#)