

**PLEASE CHECK WWW.MOLEX.COM FOR LATEST PART INFORMATION**

**Part Number:** [0015311062](#)  
**Status:** **Active**  
**Description:** 4.80mm Pitch Wire-to-Wire Receptacle Housing, 6 Circuits, Natural

**Documents:**

<a href="#">3D Model</a>	<a href="#">Product Specification PS-5025-003 (PDF)</a>
<a href="#">Drawing (PDF)</a>	<a href="#">Packaging Specification SPK-5025-001 (PDF)</a>
<a href="#">Product Specification PS-5025-001 (PDF)</a>	<a href="#">RoHS Certificate of Compliance (PDF)</a>
<a href="#">Product Specification PS-5025-002 (PDF)</a>	

**Agency Certification**

CSA	LR19980
UL	E29179

**General**

Product Family	Crimp Housings
Series	<a href="#">5025</a>
Application	Power, Wire-to-Wire
Product Name	N/A
UPC	800753642362

**Physical**

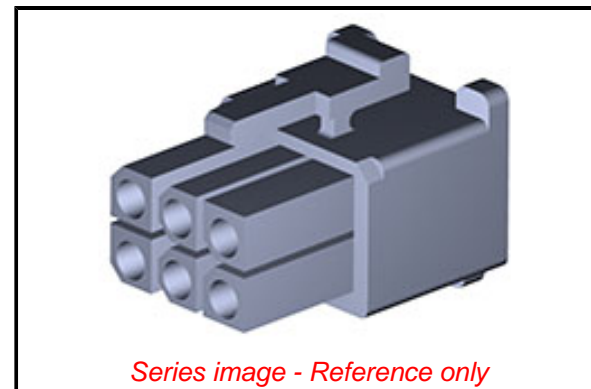
Circuits (maximum)	6
Color - Resin	Natural
Flammability	94V-2
Gender	Receptacle
Glow-Wire Capable	No
Material - Resin	Nylon
Net Weight	2372.100/mg
Number of Rows	2
Packaging Type	Bag
Panel Mount	No
Pitch - Mating Interface	4.80mm
Pitch - Termination Interface	4.80mm
Temperature Range - Operating	-40° to +105°C

**Material Info**

Engineering Number	5025-06R1
--------------------	-----------

**Reference - Drawing Numbers**

Packaging Specification	SPK-5025-001
Product Specification	PS-5025-001, PS-5025-002, PS-5025-003
Sales Drawing	SD-5025-06R1



**EU ELV**

**Not Relevant**

**EU RoHS**

**Compliant**

**REACH SVHC**

Not Contained Per -  
ED/71/2019 (16 July  
2019)

**Halogen-Free**

**Status**

**Low-Halogen**

For more information, please visit [Contact US](#)

China ROHS

ELV

RoHS Phthalates

**China RoHS**

Green Image

Not Relevant

Not Contained

**Search Parts in this Series**

[5025 Series](#)

**Mates With**

[15311061](#) , [15311063 Plug](#)

**Use With**

[5005](#)

# Mouser Electronics

Authorized Distributor

Click to View Pricing, Inventory, Delivery & Lifecycle Information:

[Molex:](#)

[15-31-1062](#)